

# Digital module - AXL SE DI16/1

1088127

<https://www.phoenixcontact.com/pc/products/1088127>

Please be informed that the data shown in this PDF document is generated from our Online Catalog. Please find the complete data in the user documentation. Our General Terms of Use for Downloads are valid.



Axioline Smart Elements, Digital input module, Digital inputs: 16, 24 V DC, connection technology: 1-conductor, degree of protection: IP20

## Product Description

You can integrate Axioline Smart Elements into systems with the Smart Element interface. This Smart Element detects digital signals.

## Your advantages

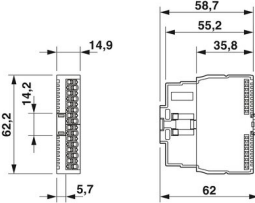
- 16 digital inputs in accordance with EN 61131-2 type 1 and type 3
- Nominal voltage: 24 V DC
- Nominal current: 2.4 mA
- Connection of sensors in 1-conductor technology
- Filter time of < 1 ms
- Device rating plate stored

## Commercial Data

Item number	1088127
Packing unit	1 pc
Minimum order quantity	1 pc
Product Key	DRIB31
GTIN	4055626886374
Weight per Piece (including packing)	37.5 g
Weight per Piece (excluding packing)	35 g
Customs tariff number	85389091
Country of origin	DE

## Technical Data

### Dimensions

Dimensional drawing	
Width	14.9 mm
Height	62.2 mm
Depth	62 mm

### Notes

#### Utilization restriction

EMC note	EMC: class A product, see manufacturer's declaration in the download area
----------	---

### Material specifications

Color	traffic grey A RAL 7042
-------	-------------------------

### Interfaces

#### Smart Element interface

Number of interfaces	1
Connection method	Card edge connector
Transmission speed	See system in which you use the Smart Element.
Start time until ready to operate	< 500 ms

### System properties

#### Module

ID code (hex)	none
Process data channel	16 Bit
Input address area	2 Byte
Output address area	0 Byte
Required parameter data	1 Byte
Required configuration data	6 Byte

### Input data

#### Digital

Input name	Digital inputs
Description of the input	EN 61131-2 types 1 and 3

1088127

<https://www.phoenixcontact.com/pc/products/1088127>

Number of inputs	16
Connection method	Push-in connection
Connection technology	1-conductor
Input voltage range "0" signal	-3 V DC ... 5 V DC
Input voltage range "1" signal	11 V DC ... 30 V DC
Nominal input voltage $U_{IN}$	24 V DC
Nominal input current at $U_{IN}$	2.4 mA
Input filter time	< 1 ms
Protective circuit	Polarity reversal protection of the inputs; Diode

## Product properties

Type	modular
Product type	I/O component
Mounting position	See the system in which the Smart Element is used.

### Insulation characteristics

Overvoltage category	II (IEC 60664-1, EN 60664-1)
Pollution degree	2 (IEC 60664-1, EN 60664-1)

## Electrical properties

### Potentials: Communications power supply of the Smart Elements ( $U_{SE}$ )

Supply voltage	using card edge connectors
----------------	----------------------------

### Potentials: I/O supply ( $U_P$ )

Supply voltage	24 V DC (using card edge connectors)
Supply voltage range	19.2 V DC ... 30 V DC (including all tolerances, including ripple)
Current draw	max. 17 mA
Current consumption	min. 14 mA (without connected peripherals)
Power consumption	max. 1.64 W
	min. 340 mW
Protective circuit	Surge protection; See the system in which the Smart Element is used.
	Reverse polarity protection; Polarity protection diode

## Connection data

### Connection technology

Connection name	I/O
Note on the connection method	Please observe the information provided on conductor cross sections in the "Axoline Smart Elements" user manual.

### Conductor connection

Connection method	Push-in connection
Conductor cross section solid	0.25 mm <sup>2</sup> ... 1.5 mm <sup>2</sup>
Conductor cross section flexible	0.25 mm <sup>2</sup> ... 1.5 mm <sup>2</sup>
Conductor cross section AWG	24 ... 16

1088127

<https://www.phoenixcontact.com/pc/products/1088127>

Conductor cross section flexible, with ferrule without plastic sleeve	0.25 mm <sup>2</sup> ... 1.5 mm <sup>2</sup>
Conductor cross section, flexible, with ferrule, with plastic sleeve	0.25 mm <sup>2</sup> ... 1.5 mm <sup>2</sup>
Stripping length	8 mm

## I/O

Connection method	Push-in connection
Note on the connection method	Please observe the information provided on conductor cross sections in the "AxioLine Smart Elements" user manual.
Conductor cross section, rigid	0.25 mm <sup>2</sup> ... 1.5 mm <sup>2</sup>
Conductor cross section, flexible	0.25 mm <sup>2</sup> ... 1.5 mm <sup>2</sup>
Conductor cross section AWG	24 ... 16
Conductor cross section, flexible, with ferrule, with plastic sleeve	0.25 mm <sup>2</sup> ... 1.5 mm <sup>2</sup>
Conductor cross section flexible, with ferrule without plastic sleeve	0.25 mm <sup>2</sup> ... 1.5 mm <sup>2</sup>
Stripping length	8 mm

## Ambient conditions

Ambient temperature (operation)	-25 °C ... 60 °C
Degree of protection	IP20
Air pressure (operation)	70 kPa ... 106 kPa (up to 3000 m above sea level)
Air pressure (storage/transport)	70 kPa ... 106 kPa (up to 3000 m above sea level)
Ambient temperature (storage/transport)	-40 °C ... 85 °C
Permissible humidity (operation)	5 % ... 95 % (non-condensing)
Permissible humidity (storage/transport)	5 % ... 95 % (non-condensing)

## Standards and regulations

Protection class	III (IEC 61140, EN 61140, VDE 0140-1)
------------------	---------------------------------------

## Mounting

Mounting type	Smart Element slot
Mounting position	See the system in which the Smart Element is used.

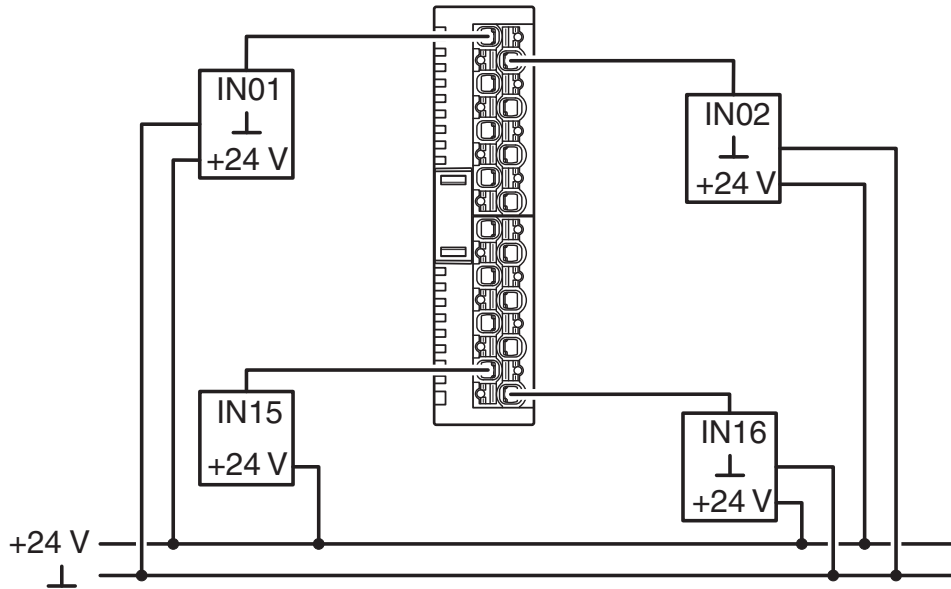
# Digital module - AXL SE DI16/1

1088127

<https://www.phoenixcontact.com/pc/products/1088127>

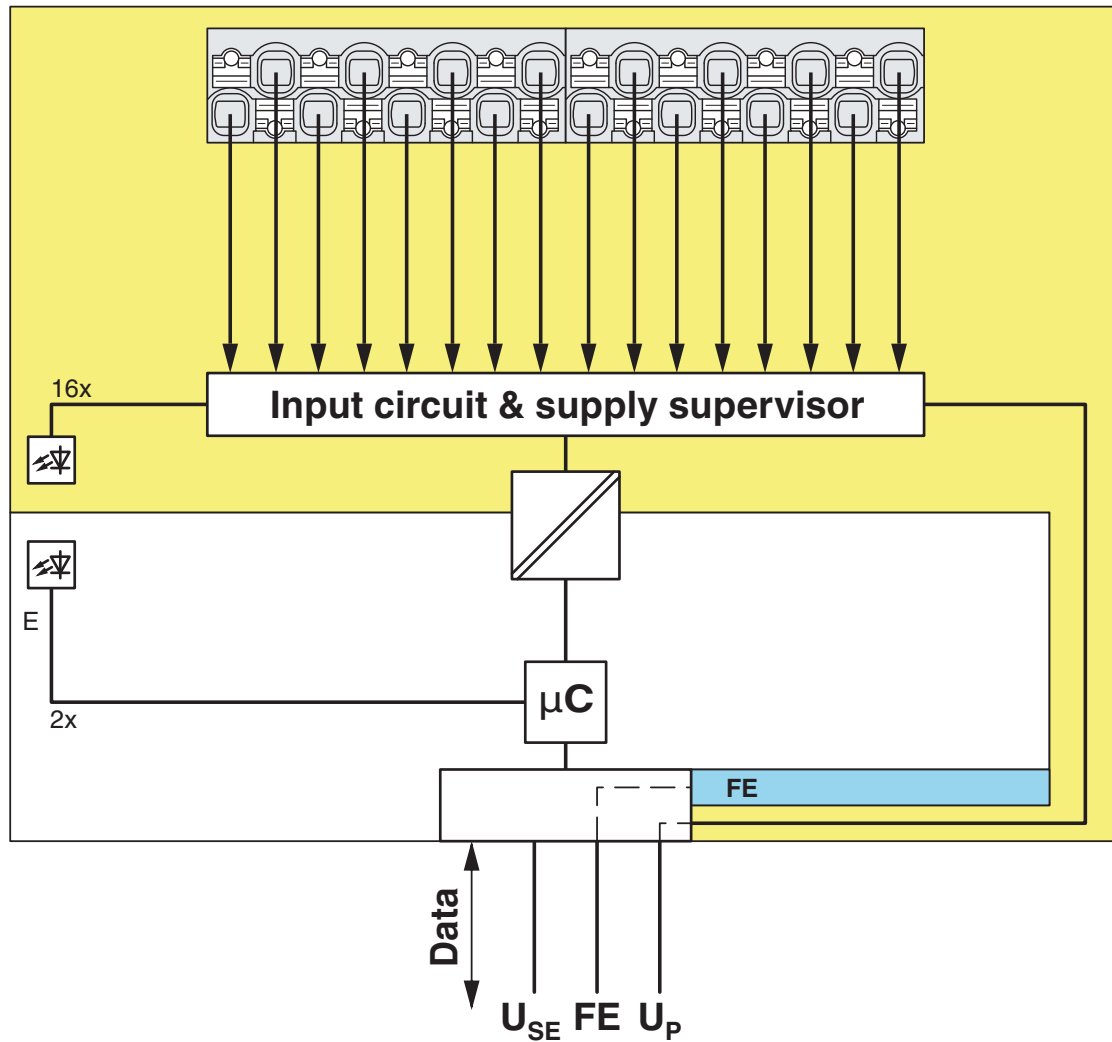
## Drawings

Connection diagram



Connection example

Block diagram



Internal wiring of the terminal points

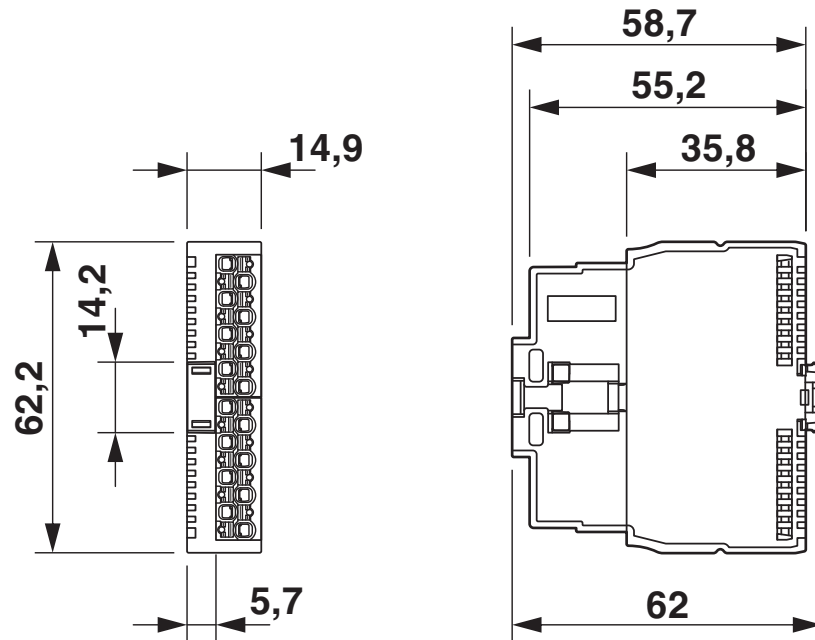
# Digital module - AXL SE DI16/1

1088127

<https://www.phoenixcontact.com/pc/products/1088127>



Dimensional drawing



Dimensions

# Digital module - AXL SE DI16/1

1088127

<https://www.phoenixcontact.com/pc/products/1088127>



## Approvals



**UL Listed**

Approval ID: FILE E 238705



1088127

<https://www.phoenixcontact.com/pc/products/1088127>

## Classifications

### ECLASS

ECLASS-9.0	27242604
ECLASS-10.0.1	27242604
ECLASS-11.0	27242604

### ETIM

ETIM 8.0	EC001599
----------	----------

### UNSPSC

UNSPSC 21.0	32151600
-------------	----------

# Digital module - AXL SE DI16/1



1088127

<https://www.phoenixcontact.com/pc/products/1088127>

## Environmental Product Compliance

REACH SVHC	Lead 7439-92-1
China RoHS	Environmentally Friendly Use Period = 50 years
	For information on hazardous substances, refer to the manufacturer's declaration available under "Downloads"

# Digital module - AXL SE DI16/1

1088127

<https://www.phoenixcontact.com/pc/products/1088127>



## Mandatory Accessories

### Module carrier

Module carrier - AXL F BP SE4 - 1088135

<https://www.phoenixcontact.com/pc/products/1088135>

Axioline F, Backplane, 4 slots for Axioline Smart Elements, transmission speed in the local bus: 100 Mbps, degree of protection: IP20



---

### Module carrier

Module carrier - AXL F BP SE6 - 1088136

<https://www.phoenixcontact.com/pc/products/1088136>

Axioline F, Backplane, 6 slots for Axioline Smart Elements, transmission speed in the local bus: 100 Mbps, degree of protection: IP20



---

## Accessories

1088127

<https://www.phoenixcontact.com/pc/products/1088127>

## Screwdriver

Screwdriver - SZS 0,4X2,5 VDE - 1205037

<https://www.phoenixcontact.com/pc/products/1205037>



Screwdriver, slot-headed, VDE insulated, size: 0.4 x 2.5 x 80 mm, 2-component grip, with non-slip grip

---

## Crimping pliers

Crimping pliers - CRIMPFOX 6 - 1212034

<https://www.phoenixcontact.com/pc/products/1212034>



Crimping pliers, for ferrules without insulating collar according to DIN 46228 Part 1 and ferrules with insulating collar according to DIN 46228 Part 4, 0.25 mm<sup>2</sup> ... 6.0 mm<sup>2</sup>, lateral entry, trapezoidal crimp

1088127

<https://www.phoenixcontact.com/pc/products/1088127>

## Crimping pliers

Crimping pliers - CRIMPFOX DUO 10 - 1031721

<https://www.phoenixcontact.com/pc/products/1031721>



Crimping pliers, type of contact: Insulated and uninsulated ferrules, min. cross section:  $0.14 \text{ mm}^2$ , max. cross section:  $10 \text{ mm}^2$ , for TWIN ferrules up to  $2 \times 4 \text{ mm}^2$ , automatic cross section adjustment, rotating die, lateral and frontal insertion, compression: Trapezoidal crimp, black/green

---

## Crimping pliers

Crimping pliers - CRIMPFOX 10T-F - 1134913

<https://www.phoenixcontact.com/pc/products/1134913>



Crimping pliers, type of contact: Insulated and uninsulated ferrules, standards/specifications: DIN 46228-1, DIN 46228-4, min. cross section:  $0.14 \text{ mm}^2$ , max. cross section:  $10 \text{ mm}^2$ , For TWIN ferrules up to  $2 \times 4 \text{ mm}^2$ , automatic cross section adjustment, frontal insertion, compression: Trapezoidal crimp, black

# Digital module - AXL SE DI16/1

1088127

<https://www.phoenixcontact.com/pc/products/1088127>

## Label

Label - MM-TML (EX4,2)R C1 TR/BK - 0803979

<https://www.phoenixcontact.com/pc/products/0803979>



Label, Roll, transparent, unlabeled, can be labeled with: THERMOFOX, THERMOMARK GO, THERMOMARK GO.K, mounting type: adhesive, for terminal block width: 8000 mm, lettering field size: continuous x 3.2 mm

---

## Marker strip

Marker strip - SK 5,0 WH:REEL - 0805221

<https://www.phoenixcontact.com/pc/products/0805221>



Marker strip, Roll, white, unlabeled, can be labeled with: THERMOMARK ROLL 2.0, THERMOMARK ROLL, THERMOMARK ROLL X1, THERMOMARK ROLLMASTER 300/600, THERMOMARK X1.2, mounting type: adhesive, for terminal block width: 5 mm, lettering field size: continuous x 5 mm, Number of individual labels: 90000

# Digital module - AXL SE DI16/1

1088127

<https://www.phoenixcontact.com/pc/products/1088127>

## Marker for terminal blocks

Marker for terminal blocks - UM6M-TM (5X12) - 0830928

<https://www.phoenixcontact.com/pc/products/0830928>

Markers for marking terminal blocks from ABB/Entelec, 24-section, unmarked, can be marked with THERMOMARK CARD and BLUEMARK, color: white



---

## Marker for terminal blocks from the SNK series from ABB

Marker for terminal blocks from the SNK series from ABB - UCT6M-TM 5 - 0830756

<https://www.phoenixcontact.com/pc/products/0830756>

Marker for terminal blocks from the SNK series from ABB, Sheet, white, unlabeled, can be labeled with: THERMOMARK CARD, THERMOMARK CARD 2.0, THERMOMARK PRIME, BLUEMARK ID, BLUEMARK ID COLOR, TOPMARK LASER, TOPMARK NEO, mounting type: snapped, for terminal block width: 5.2 mm, lettering field size: 4.17 x 11.3 mm



# Digital module - AXL SE DI16/1

1088127

<https://www.phoenixcontact.com/pc/products/1088127>

## Round cable

Round cable - CABLE-FLK14/AXIO/OE/0,14/0,5M - 1369888

<https://www.phoenixcontact.com/pc/products/1369888>



Round cable set; controller: Axioline Realtime I/O; connection 1: Single wires (8-position) (The wires are marked and fitted with ferrules); connection 2: IDC/FLK socket strip (1x 14-position); cable length: 0.5 m

---

## Round cable

Round cable - CABLE-FLK14/AXIO/OE/0,14/1,0M - 1369897

<https://www.phoenixcontact.com/pc/products/1369897>



Round cable set; controller: Axioline Realtime I/O; connection 1: Single wires (8-position) (The wires are marked and fitted with ferrules); connection 2: IDC/FLK socket strip (1x 14-position); cable length: 1 m



# Digital module - AXL SE DI16/1

1088127

<https://www.phoenixcontact.com/pc/products/1088127>

## Round cable

Round cable - CABLE-FLK14/AXIO/OE/0,14/1,5M - 1369902

<https://www.phoenixcontact.com/pc/products/1369902>



Round cable set; controller: Axioline Realtime I/O; connection 1: Single wires (8-position) (The wires are marked and fitted with ferrules); connection 2: IDC/FLK socket strip (1x 14-position); cable length: 1.5 m

---

## Round cable

Round cable - CABLE-FLK14/AXIO/OE/0,14/2,0M - 1369904

<https://www.phoenixcontact.com/pc/products/1369904>



Round cable set; controller: Axioline Realtime I/O; connection 1: Single wires (8-position) (The wires are marked and fitted with ferrules); connection 2: IDC/FLK socket strip (1x 14-position); cable length: 2 m

# Digital module - AXL SE DI16/1

1088127

<https://www.phoenixcontact.com/pc/products/1088127>

## Round cable

Round cable - CABLE-FLK14/AXIO/OE/0,14/3,0M - 1369905

<https://www.phoenixcontact.com/pc/products/1369905>



Round cable set; controller: Axioline Realtime I/O; connection 1: Single wires (8-position) (The wires are marked and fitted with ferrules); connection 2: IDC/FLK socket strip (1x 14-position); cable length: 3 m

---

## Round cable

Round cable - CABLE-FLK14/AXIO/OE/0,14/4,0M - 1369906

<https://www.phoenixcontact.com/pc/products/1369906>



Round cable set; controller: Axioline Realtime I/O; connection 1: Single wires (8-position) (The wires are marked and fitted with ferrules); connection 2: IDC/FLK socket strip (1x 14-position); cable length: 4 m

# Digital module - AXL SE DI16/1



1088127

<https://www.phoenixcontact.com/pc/products/1088127>

## Round cable

Round cable - CABLE-FLK14/AXIO/OE/0,14/6,0M - 1369909

<https://www.phoenixcontact.com/pc/products/1369909>



Round cable set; controller: Axioline Realtime I/O; connection 1: Single wires (8-position) (The wires are marked and fitted with ferrules); connection 2: IDC/FLK socket strip (1x 14-position); cable length: 6 m

---

Phoenix Contact 2022 © - all rights reserved

<https://www.phoenixcontact.com>

PHOENIX CONTACT GmbH & Co. KG

Flachsmarktstraße 8

D-32825 Blomberg

+49 (0) 5235-3 00

[info@phoenixcontact.com](mailto:info@phoenixcontact.com)