

40 mm sq.

San Ace 40



General Specifications

- Material Frame: Plastics (Flammability: UL94V-0),
Impeller: Plastics (Flammability: UL94V-1)
- Expected Life Refer to specifications (L10:Survival rate:90% at 60°C ,
rated voltage, and continuously run in a free air state)
- Lead Wire ⊕red ⊖black or blue (Sensor) yellow
- Storage Temperature -30°C to +70°C (Non-condensing)

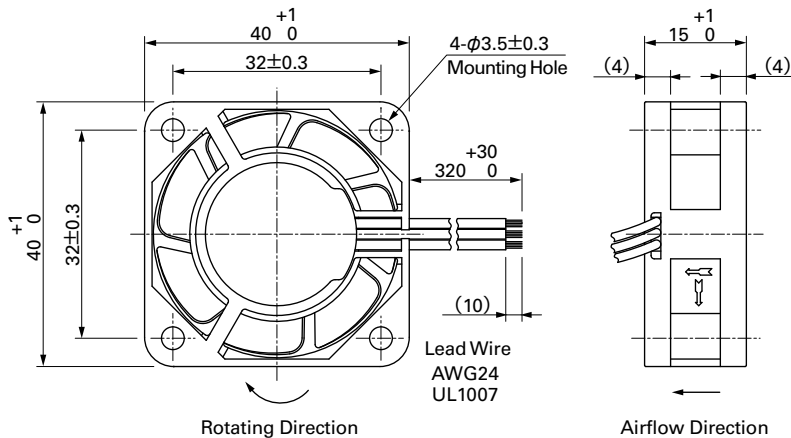
40×40×15 mm (Mass : 32g) **9P** type

Specifications The following nos. have pulse sensors and ribs.

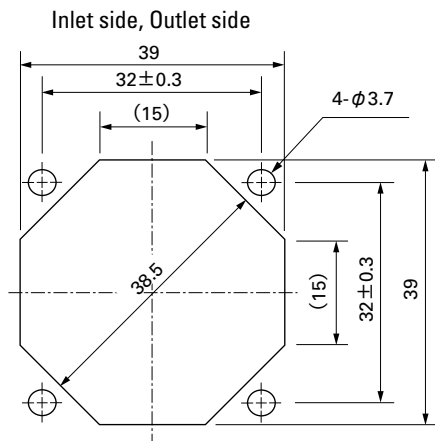
Model No.	Rated Voltage [V]	Operating Voltage Range [V]	Rated Current [A]	Rated Input [W]	Rated Speed [min ⁻¹]	Max. Airflow [m ³ /min] [CFM]	Max. Static Pressure [Pa] [inchH ₂ O]	SPL [dB(A)]	Operating Temperature [°C]	Expected Life [h]		
109P0405H701	5	4.5 to 5.5	0.28	1.4	7,700	0.18	6.4	75.5	0.303	28	- 20 to + 60	60,000/60°C
109P0405M701			0.21	1.05	6,500	0.15	5.3	53	0.213	24		
109P0412R701	12	7 to 13.8	0.13	1.56	9,700	0.227	8.0	111.9	0.449	34	- 20 to + 70	60,000/60°C
109P0412S701			0.18	2.16	8,600	0.2	7.06	92.1	0.369	32		
109P0412H701			0.13	1.56	7,700	0.18	6.4	75.5	0.303	28		
109P0412M701			0.095	1.14	6,500	0.15	5.3	53	0.213	24		
109P0424H701	24	20.4 to 27.6	0.08	1.92	7,700	0.18	6.4	75.5	0.303	28		

Other sensor specifications are available as options. Please refer to the index (pp. 496 to 497).

Dimensions (unit: mm)



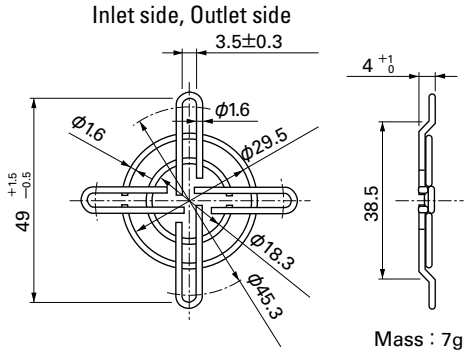
Reference Dimensions of Mounting Holes and Vent Opening (unit: mm)



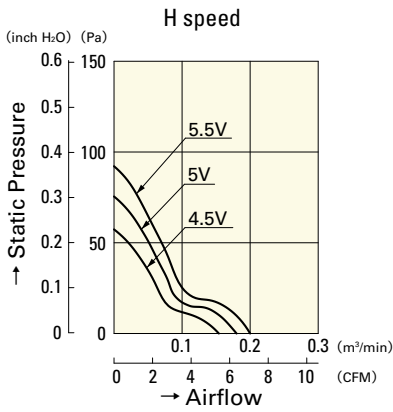
Options (unit: mm)

Finger Guards

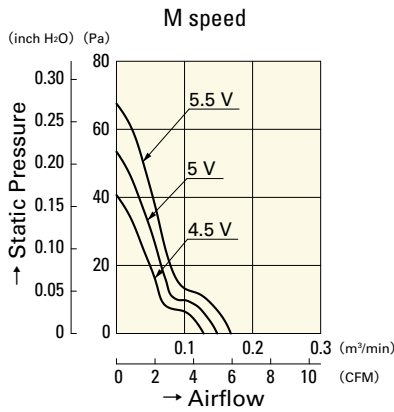
Model : 109-059 Surface treatment : Nickel-chrome plating (silver) Color : Silver
 : 109-059H : Cation electropainting (black)



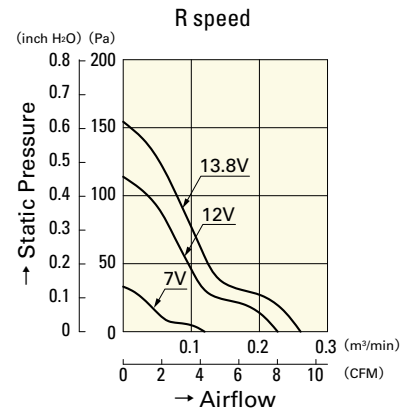
Airflow - Static Pressure Characteristics



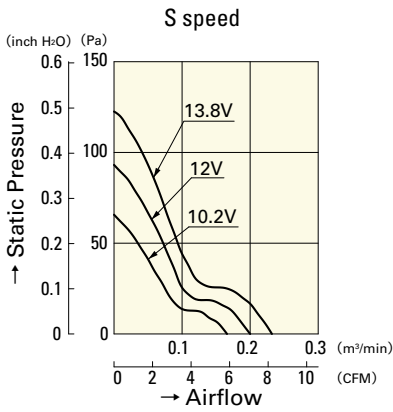
109P0405H701



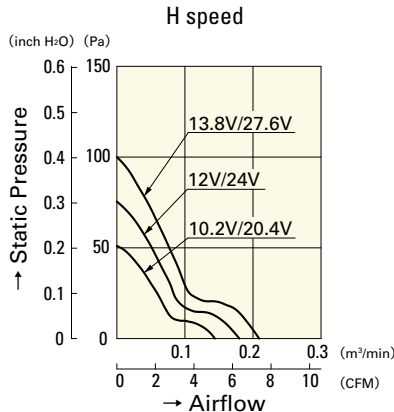
109P0405M701



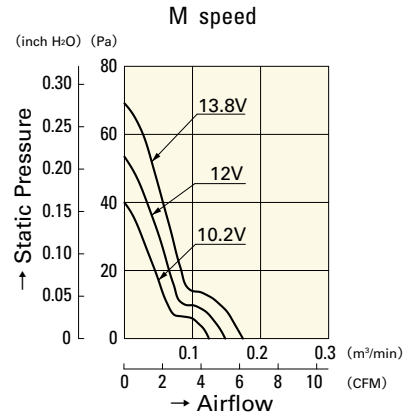
109P0412R701



109P0412S701



109P0412H701
109P0424H701



109P0412M701