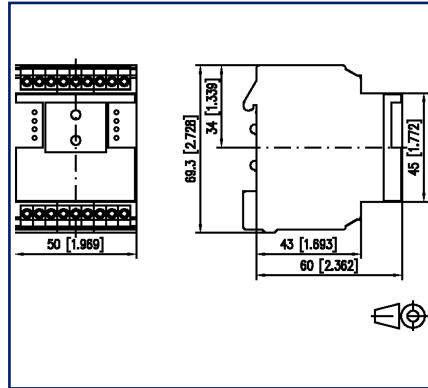


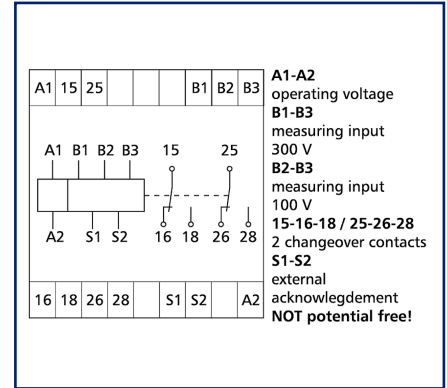
### Illustrations



Dimensional drawing



Wiring diagram



See enlarged drawings at the end of document

### Product specification

Monitoring of direct or alternating voltages in live systems. It is displayed whether the adjusted values are exceeded or not reached, and a switching process is triggered. The integrated 7-segment display indicates the sources of the fault. The voltage to be measured (AC or DC), two measuring ranges, an upper and a lower threshold value, a response delay and the fault memory (ON or OFF) can be adjusted manually on the device. Faults can be acknowledged directly on the device or by means of an external contact.

- Connection with screw type terminal blocks

## Technical Data

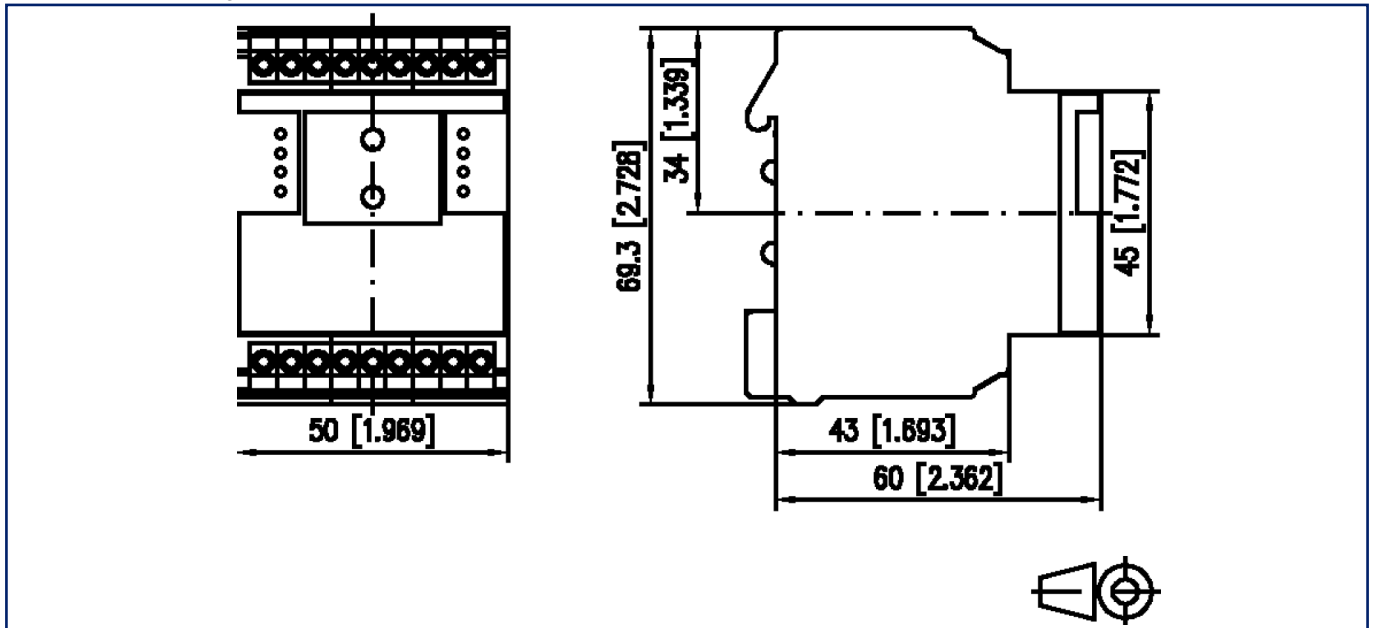
Supply	
Operating voltage	230 V AC -10% ... +10%
Frequency range	50 Hz
Power consumption (max.)	15 mA
Duty cycle relative	100 %
Inputs	
Measuring input B1 - B3	10 V - 300 V
Measuring input B2 - B3	1 V - 100 V
Response delay	0.1 s - 9.9 s, adjustable
Switching hysteresis	10 %
Measurement cycle	max. 100 ms
Measurement frequency	max. 200 Hz
Outputs	
Contacts	2 changeover contacts
Contact material	AgNi
Switching voltage (max.)	250 V AC
Continuous Current	8 A
Pick-up delay	230 V~ 6 A AC1
Switch-off delay	230 V~ 3 A AC3
Switching frequency	360 switching cycles/h
Mechanical life	3x10 <sup>7</sup> switching cycles
Electrical life	1x10 <sup>5</sup> switching cycles
Indicator / Error	2 x 7-segment display
Indicator	green and red LED
Housing	
Dimensions	
Dimension (W x H x D)	50 mm x 69.3 mm x 60 mm
Dimension (W x H x D)	1.969 in. x 2.728 in. x 2.362 in.
Weight	200 g
Mounting style	Standard rail TH35
Mounting position	any
Apposition	without distance
Connection type	Screw type terminal blocks

## Technical Data

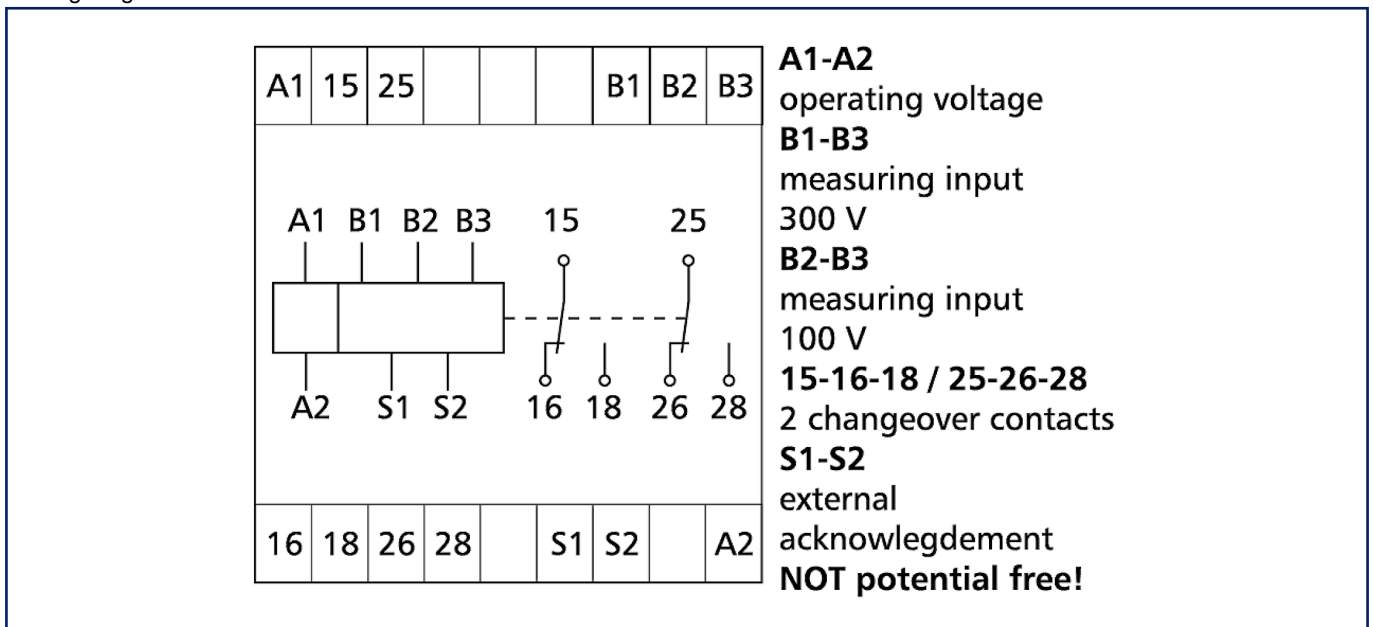
Terminal blocks	
Wire cross section solid	0.34 mm <sup>2</sup> - 2.5 mm <sup>2</sup> / AWG 22-12
Wire cross section multi	0.25 mm <sup>2</sup> - 2.5 mm <sup>2</sup> / AWG 22-12
Wire cross section with wire ferrule	0.25 mm <sup>2</sup> - 2.5 mm <sup>2</sup> / AWG 22-12
Screw torque (max.)	0.5 Nm
Stripping length (min.)	8 mm
Material	
Material - Housing	Polyamid 6.6 V0
Color	gray
Material - Terminal block	Polyamid 6.6 V0
Material - Covers	Polycarbonat
Protection category according to IEC 60529	
Protection category - housing (acc. to IEC 60529)	IP40
Protection category - terminal blocks (acc. to IEC 60529)	IP20
Temperature range	
Operating	
Temperature - Operating °C	-5 °C - 55 °C
Temperature - Operating °F	23 °F - 131 °F
Storage	
Temperature - Storage °C	-20 °C - 70 °C
Temperature - Storage °F	-4 °F - 158 °F
Power loss	
Power loss (typical)	2.5 W
Classifications	
ETIM 7.0	EC001438
ETIM 8.0	EC001438
ETIM 9.0	EC001438

## Illustrations

Dimensional drawing



Wiring diagram



© 2023 METZ CONNECT - Technische Änderungen vorbehalten! Subject to modifications! Sous réserve de modifications techniques!