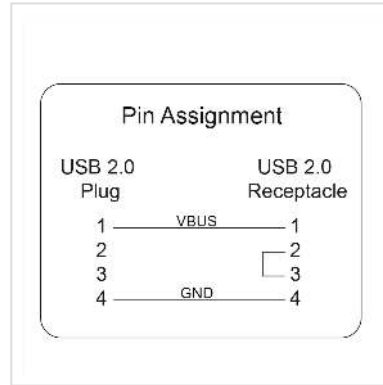
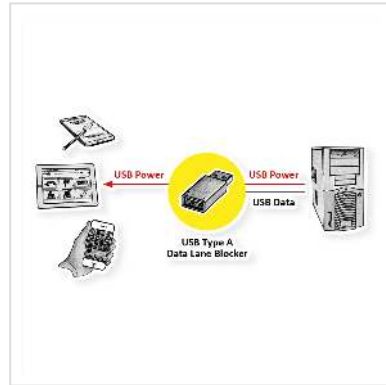


ROLINE USB Type A Data Lane Blocker

Product No.	11.02.8332
Manufacturer	ROLINE
Manufacturer No.	11.02.8332
EAN (single piece)	7630049617582



The USB Type A Port Blocker blocks the data lanes of the used USB port and thus protects your end device from unwanted access or malware - nothing but power is transmitted. The solution is especially useful in foreign environments where USB sockets can be manipulated or hijacked comparatively easily, such as in hotels, or anchorage points like airports or train stations.

- Eliminates the risk of becoming the target of attacks via foreign USB sockets and reduces the risk of malware / malicious software being transferred to the device
- Suitable for IT equipment in any hotel, office or public environment such as schools, museums, trade fairs or other places
- Ideally suited for anchor points such as airports and railway stations
- Does not cause conflict with the existing IT infrastructure
- Prevents data exchange by blocking the data lanes - only power is transmitted to your end device
- Safe charging without complications

Technical specifications

Manufacturer	ROLINE
Product group	Mobile accessories
Product type	Cover protection for USB
Colour	black
Scope of delivery	1x USB Data Blocker
Weight	6.4 g

Height of packaging (single piece)	10 mm
---------------------------------------	-------

Width of packaging (single piece)	10 mm
--------------------------------------	-------

Depth of packaging (single piece)	20 mm
--------------------------------------	-------

Package weight (single piece)	0.02 kg
----------------------------------	---------