

Product Information



2477DYK075P40

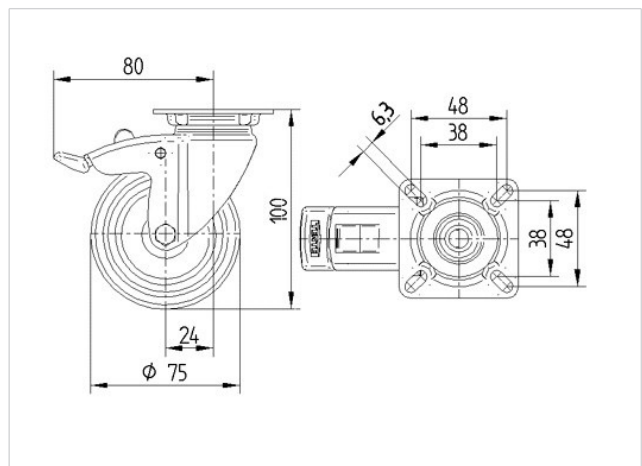
EAN 4031582340532

Swivel castor with total lock, tail end of castor, housing made of pressed steel, zinc-chromatised, double ball bearing swivel head. Wheel centre made of pressed steel, Tread: solid rubber black, non-staining, electric conductive, with threadguards, cone ball bearing, plate fitting



Technical Data

Wheel diameter	75 mm
Width of Tread	25 mm
Size of Plate	60 x 60 mm
Plate hole centres	48/38 x 48/38 mm
Plate hole	6,3 mm
Offset	24 mm
Swivel Interference	160 mm
Overall height	100 mm
Temperature	- 20 / + 85 °C
Standard	EN 12530
Weight	0.431 kg
Load capacity	55 kg
Load capacity (static)	110 kg
Swivel Radius	80 mm
Hardness of tread	A 80 Shore



Roll performance	+	+	+	+	+
Movement noise	+	+	+	+	+
Attrition	+	+	+	+	+
Corrosion resistance	+	+	+	+	+

Product Information



2477DYK075P40

EAN 4031582340532

