

FEATURES

- Socket to socket feed through connector
- IP67 rated waterproof connector
- 13/16-28 UN thread and have a recommended panel thickness range of 0.8 mm to 8.0 mm
- Easy to install onto predrilled panels and machine housing
- Wide operating temperature range - 40°C / + 105°C
- Pin termination

RS PRO RJ45 Female Coupler, 1 Port, Shielded

RS Stock No.: 111-6746



RS Professionally Approved Products bring to you professional quality parts across all product categories. Our product range has been tested by engineers and provides a comparable quality to the leading brands without paying a premium price.

Product Description

From RS PRO, this waterproof RJ45 panel mounting socket is ideal for applications in challenging environments. With a robust bulkhead and screw on jam nut, the RJ45 connector can fit most panels, and incorporates a silicone O-ring to create a sealed and durable connector point for networking applications. The connector is also shielded, and so suitable for use in environments where EMI interference might be a concern. For Cat5e Ethernet connections, this plastic panel-mount feed-through connector is a high-quality solution.

General Specifications

Type	Coupler
Interface Type	RJ45 Female
Number of Ports	1
Shield Type	Shielded
Wiring Configuration	Straight Through
Colour	Black
Housing Material	Thermoplastic
Application	Wireless outdoor AP, Outdoor LED and display lighting, Marine, Automotive, Military

Mechanical Specifications

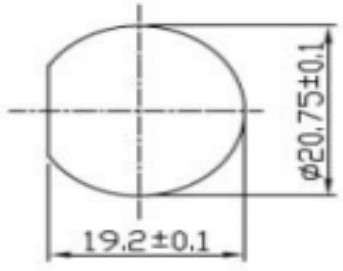
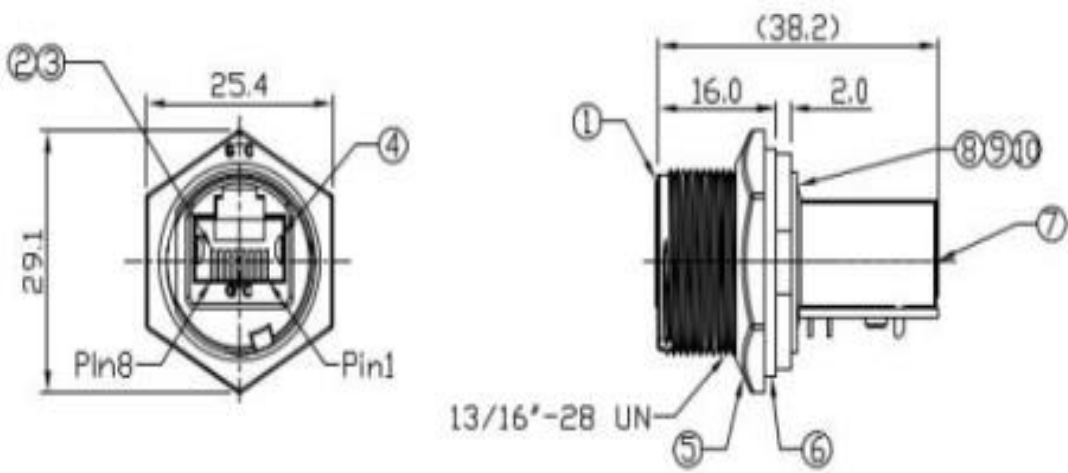
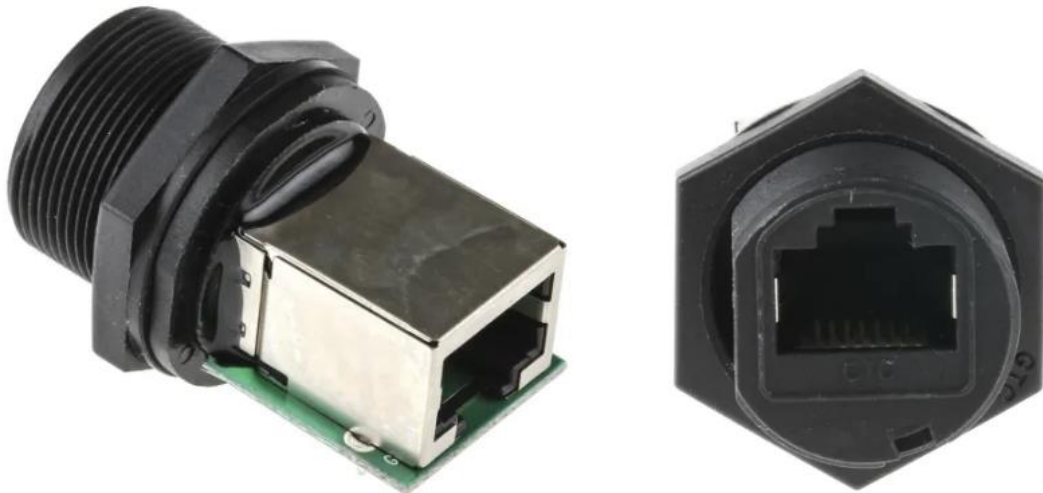
Width	29.1mm
Depth	38.2mm

Operation Environment Specifications

Operating Temperature	-40°C to +105°C
------------------------------	-----------------

Approvals

Compliance/Certifications	13/16-28 UN/2011/65/EU and 2015/863
---------------------------	-------------------------------------



Recommend Panel Cut-Out