

FEATURES

- **Socket to socket
Right Angled feed
through connector**
- **IP67 rated
waterproof
connector**
- **13/16-28 UN thread
and have a
recommended panel
thickness range of
0.8 mm to 4mm**
- **Easy to install onto
predrilled panels
and machine
housing**
- **Wide operating
temperature range -
40°C / + 105°C**
- **No termination**

RS PRO RJ45 Female 90° Coupler, Shielded

RS Stock No.: 111-6747



RS Professionally Approved Products bring to you professional quality parts across all product categories. Our product range has been tested by engineers and provides a comparable quality to the leading brands without paying a premium price.

Product Description

From RS PRO, this waterproof RJ45 panel mounting socket is ideal for applications in challenging environments. With a robust bulkhead and screw on jam nut, the RJ45 connector can fit most panels, and incorporates a silicone O-ring to create a sealed and durable connector point for networking applications. The connector is also shielded, and so suitable for use in environments where EMI interference might be a concern. For Cat5e Ethernet connections, this plastic panel-mount feed-through connector is a high-quality solution.

General Specifications

Type	90° Coupler
Interface Type	RJ45 Female
Shield Type	Shielded
Colour	Black
Housing Material	Thermoplastic
LAN Category	Cat5e
Number of Ports	2
Application	Wireless outdoor AP, Outdoor LED and display lighting, Marine, Automotive, Military

Mechanical Specifications

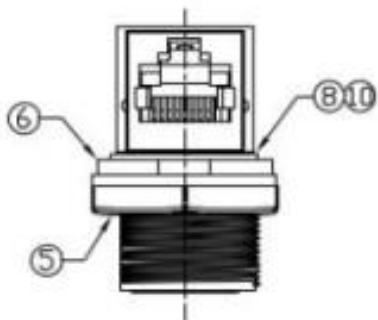
Length	36.9mm
Width	29.1mm
Depth	36.2mm

Operation Environment Specifications

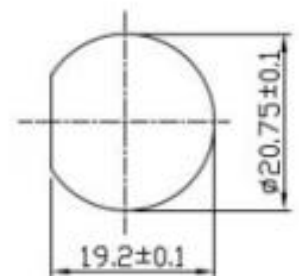
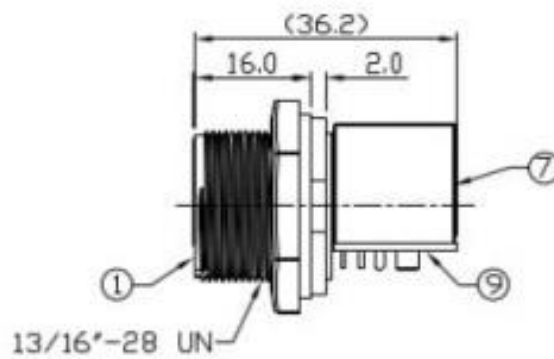
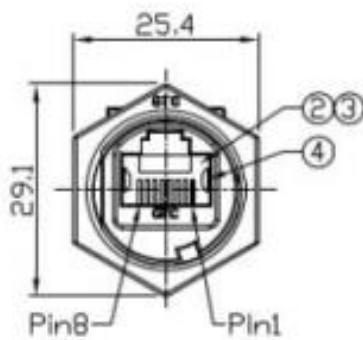
Operating Temperature	-40°C to +105°C
------------------------------	-----------------

Approvals

Compliance/Certifications	2011/65/EU and 2015/863 /RoHS Compliant
----------------------------------	---



Mating Parts:
111-6737
111-6738



Recommend Panel Cut-Out