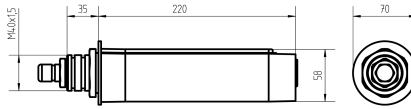


Surface-mounted luminaire MACH LED PLUS.seventy

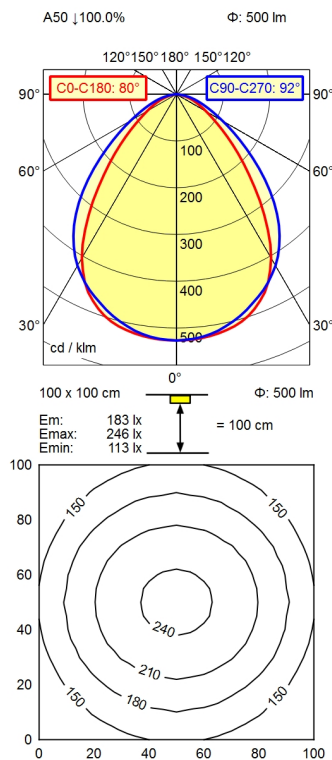
113709000-00804709

Waldmann **W**

ENGINEERS OF LIGHT



Series 2061



light source
work equipment
connected load
power consumption
luminous flux
luminous efficiency
light distribution
beam angle
colour temperature
colour temperatur
color rendering index (CRI)
chromaticity tolerance LED
glare control
luminance (L65)
unified glare rating (4H 8H)
system of protection
class of protection
technology
operation
housing
cover
weight (net)
mains lead
design
fastening

LED
without
20-28V, DC
env. 5 W
approx. 500 lm
approx. 100 lm/W
direct
80°/90°
neutral white
approx. 5.000 K
>= 80
< 4 SDCM
diffuser foil
<= 24000 cd/m²
<= 25/28
IP 67
III
switchable
external
aluminium; anodised; aluminium coloured
anodised
screen, clear
env. 0,73 kg
connector; Series 2061
mounted version
lamp bracket (accessory); thread M40 x 1.5