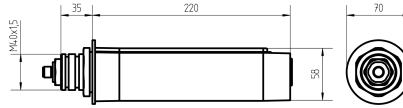


# Surface-mounted luminaire MACH LED PLUS.seventy

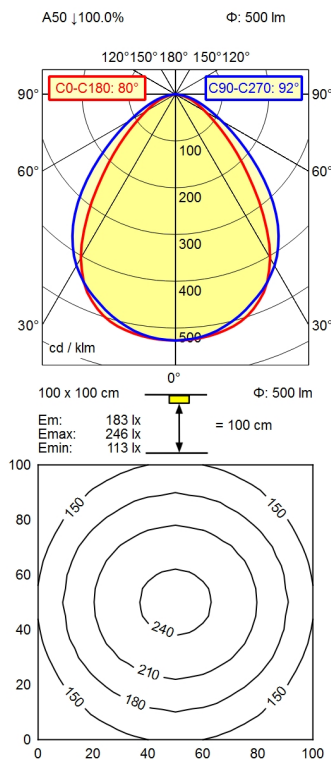
113709000-00804711

**Waldmann** **W**

ENGINEERS OF LIGHT



Serie\_763



light source  
work equipment  
connected load  
power consumption  
luminous flux  
luminous efficiency  
light distribution  
beam angle  
colour temperature  
colour temperatur  
color rendering index (CRI)  
chromaticity tolerance LED  
glare control  
luminance (L65)  
unified glare rating (4H 8H)  
system of protection  
class of protection  
technology  
operation  
housing  
cover  
weight (net)  
mains lead  
design  
fastening

LED  
without  
20-28V, DC  
env. 5 W  
approx. 500 lm  
approx. 100 lm/W  
direct  
80°/90°  
neutral white  
approx. 5.000 K  
>= 80  
< 4 SDCM  
diffuser foil  
<= 24000 cd/m<sup>2</sup>  
<= 25/28  
IP 67  
III  
switchable  
external  
aluminium; anodised; aluminium coloured  
anodised  
screen, clear  
env. 0,74 kg  
built-in plug; Serie\_763  
mounted version  
thread M40 x 1.5