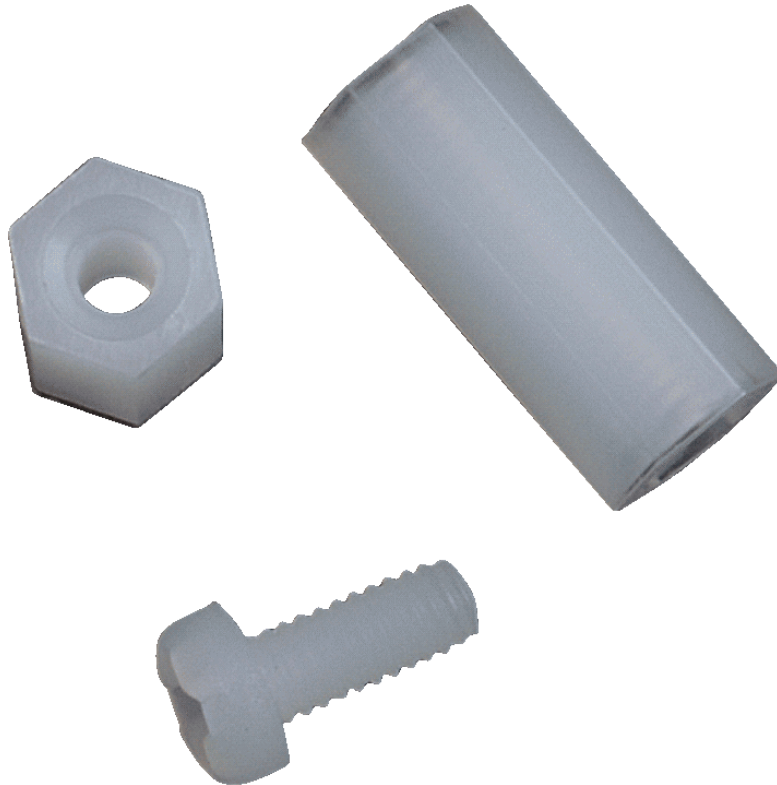




seed studio
The IoT Hardware Enabler

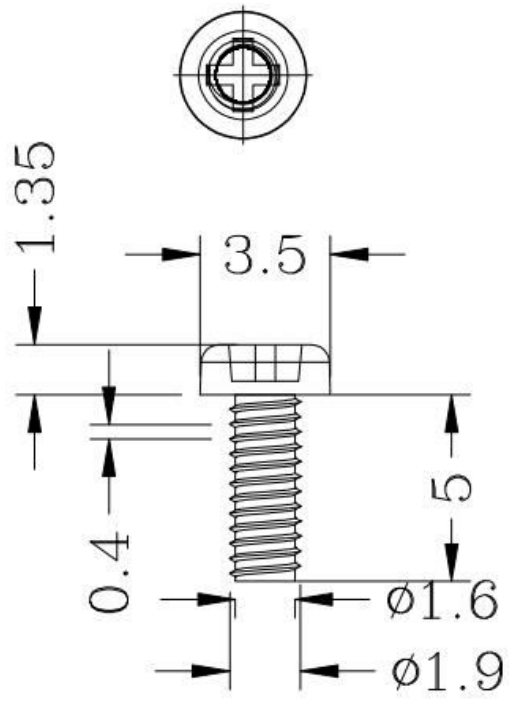


The Grove - Screw&Nut Pack is used for the mounting of the Grove module.

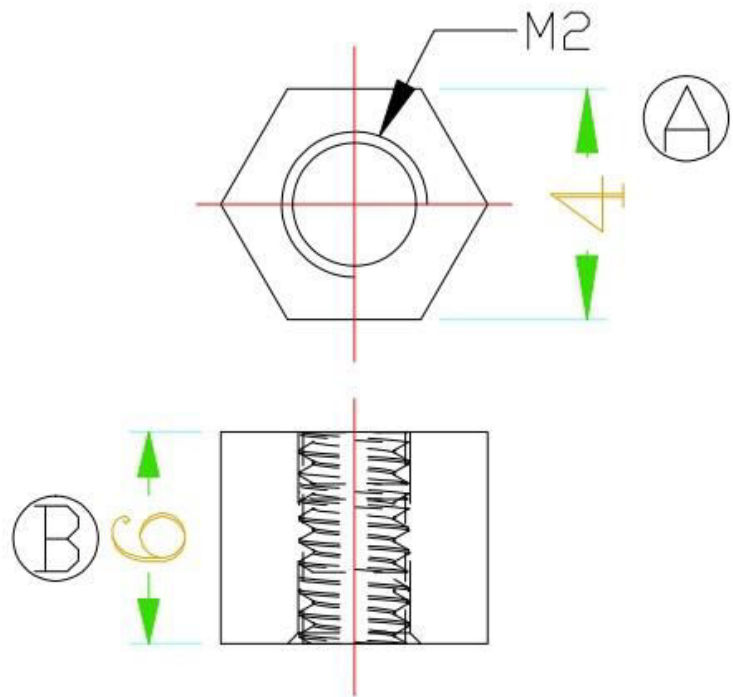
Part List:

- PM2.0xH5.0mm-Nylon-White Screw x 20
- M2.0xH6.0mm-Nylon-White Nut x10
- M2.0xH10.0mm-Nylon-White Nut x10

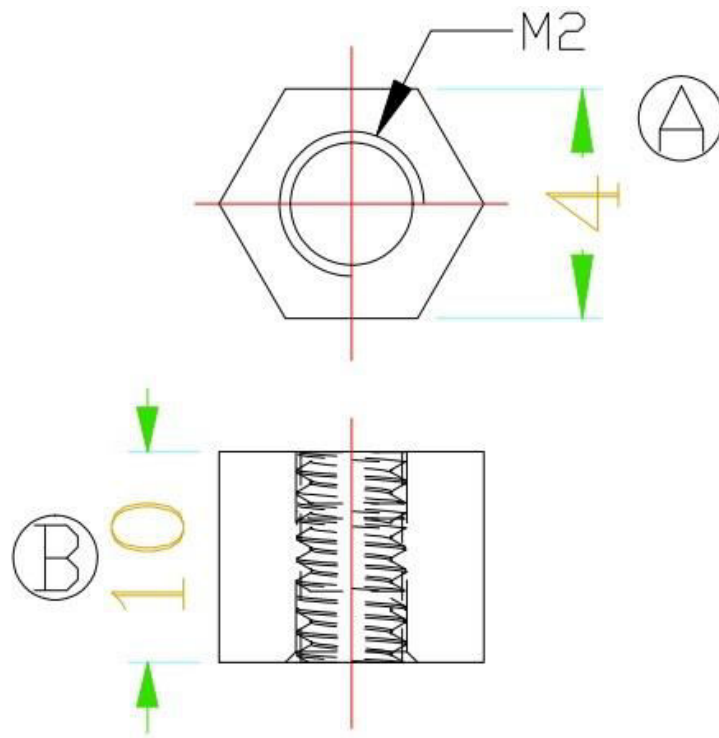
Dimensions
Screw



6.0 Nut



10.0 Nut



ECCN/HTS

HSCODE	3926909090
UPC	