

# PF 32.000 | PFA 30.000

## ECOOL FILTERFAN | EXHAUST FILTER 98–110 m³/h

- installation size 3, air flow rate up to 110 m³/h
- system of protection IP 54 and IP 55, NEMA type 12
- UL, cUL approval
- UV-resistance (IP 55 version)
- exhaust filters also available in 14 piece packaging for faster assembly



PRODUCT		PF 32.000				
ARTICLE NO.	IP 54	11632101055	11632151055	11632801055	11632701055	Unit
ARTICLE NO.	IP 55	11632103055	11632153055	11632803055		

DATA						
Rated voltage ±10 %		AC 50   60 Hz		DC		
		230	115	24	48	V
Unimpeded airflow	IP 54	98   108		98		m³/h
	IP 55	100   110		100		
Airflow rate in comb. with exhaust filter	IP 54	73   80		73		
	IP 55	55   64		55		
Power consumption		19   18	20   20	5		W
Current consumption		0.12   0.18	0.24   0.23	0.21	0.1	A
Noise level according to EN ISO 3741		40   40		40		dB (A)
Weight		0.87		0.61		kg
Type of connection		terminal strip		cable, 2-core, length 310 mm		
Fuse		6				A
System of protection according to EN 60529 / UL 50	IP 54	NEMA type 12 - standard filter				
	IP 55	NEMA type 12 - fluted filter				
Filtration efficiency	IP 54	88				%
	IP 55	91				
Filter mat quality class according to EN 779	IP 54	G 4				
	IP 55	G 4				
Duty cycle		100				%
Bearing type		sleeve bearing		ball bearing		
Service life L <sub>10</sub> (+ 40 °C) <sup>1</sup>		37500	40000	62500		h
Temperature range		-40 ... +55   -40 ... +131				°C   °F
Design (housing and protection against accidental contact)	IP 54	made of injection-moulded thermoplastic, self-extinguishing, UL 94 VO				
	IP 55	additional: UV-resistant				
Colour		RAL 7035   different colours available on request				

ACCESSORIES		ARTICLE NUMBER	
Exhaust filter	gray	1 piece 11730001055	14 piece assembly packaging 11730001408
Exhaust filter	black	1 piece 11730001050	
Spare filter mats	5 pieces	IP54: 18611600031; IP55: 18611600035	
Thermostat		17121000000	
Hygrostat		17207000000	
Rainhood in stainless steel		18102000017	

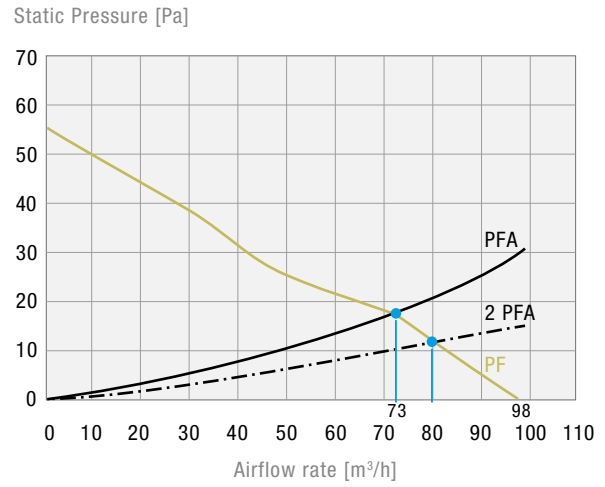
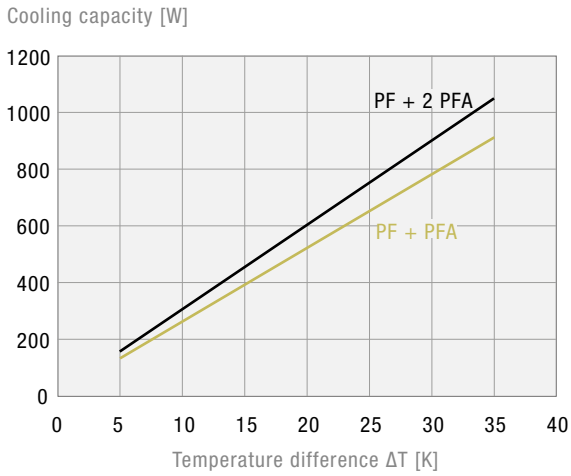
For additional models, options and voltages visit [www.pfannenber.com](http://www.pfannenber.com) or contact us directly.

<sup>1</sup> fan failure is defined as being when the current and speed deviate or the operating noises are out of the ordinary

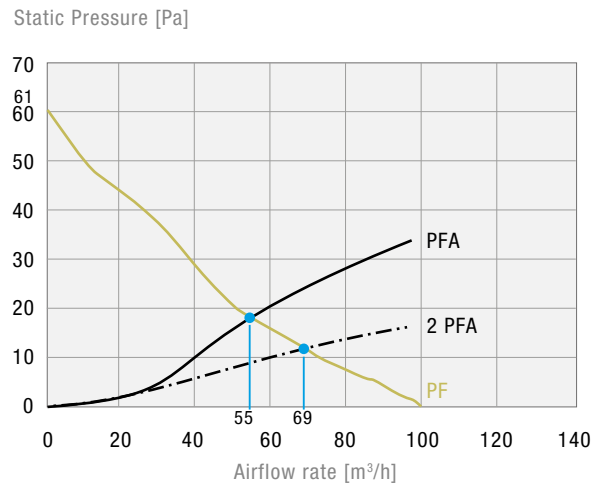
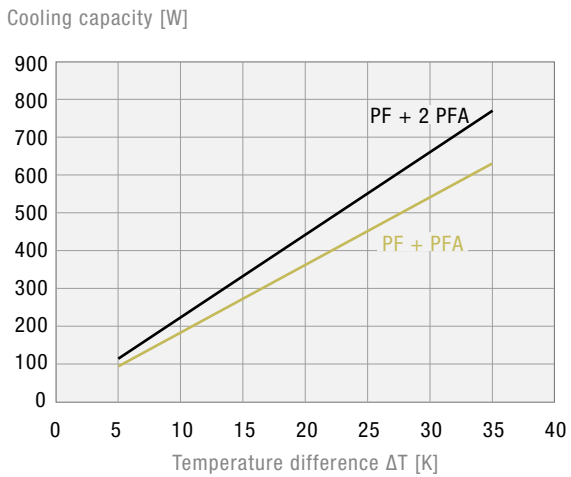
**Cooling capacity performance curves**

**Static pressure performance curve**

**PF 32.000 IP 54**

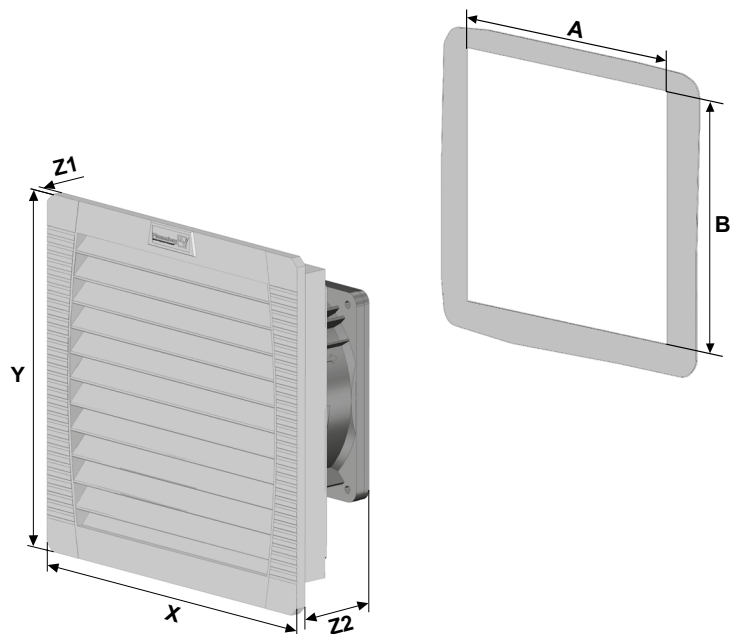


**PF 32.000 IP 55**



**Dimensions**

mm	PF 32.000		PFA 30.000
	AC	DC	
<b>X</b>	202	202	202
<b>Y</b>	202	202	202
<b>Z1</b>	6	6	6
<b>Z2</b>	87	81	34
<b>A<sup>1</sup></b>	177	177	177
<b>B<sup>1</sup></b>	177	177	177



<sup>1</sup> for material thicknesses up to 2 mm  
+ 1 mm for thickness of material > 2 mm ≤ 3 mm