

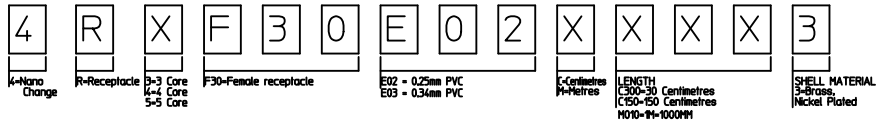
TABELA 1  
CHART 1

MOLEX PN	WOODHEAD PN	L(mm)	TYP
1200310015	4R3F30E02C3003	300	3 POLOWY
1200310053	4R3F30E02M0203	2000	3 POLOWY
1200310034	4R4F30E02C2003	200	4 POLOWY
1200310049	4R4F30E02C3003	300	4 POLOWY
1200310058	4R4F30E02M0103	1000	4 POLOWY
1200310028	4R5F30E02C3003	300	5 POLOWY
1200310111	4R4F30E02M010	1000	4 POLOWY
1200905002	4R4F30E03M0203	2000	4 POLOWY
1200908011	4R4F30E02C300	300	4 POLOWY

Tablica tolerancji dlugosci  
Table of length tolerances

Powyzej Over	Do-wlacznice Up to and including	Tolerancja (+) Tolerance
0	305	+19
305	915	+45
915	1830	+56
1830	3660	+89
3660	7320	+165
7320	14640	+317
14640	30500	+610
30500	>	+2% dlugosci of length

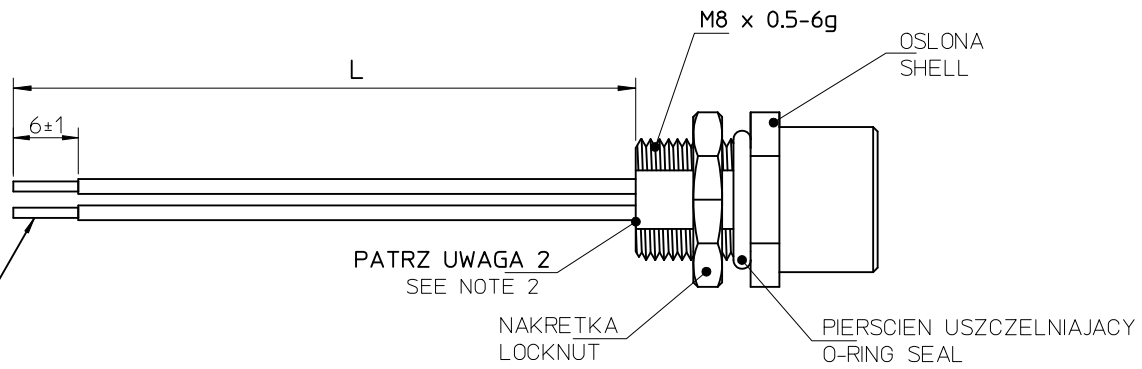
PART No MATRIX



WIDOK OD STRONY CZOLA  
FACE VIEW



CYNOWAC  
TINNED



PATRZ UWAGA 2  
SEE NOTE 2

- UWAGI:
- DLUGOSC CIECIA I SPECYFIKACJE NABIJANIA WEDLUG LISTY CIECIA.
  - PO OSADZENIU TERMINALI ZALAC KLEJEM.

- NOTES:
- FOR CUTTING LENGTH AND CRIMPING SPECIFICATION SEE CUTTING LIST.
  - AFTER ASSEMBLED TERMINALS THE CONNECTOR MUST BE FLOOD BY GLUE.

ORIGINAL RELEASE EC NO: WEU2009-0439 DRWN: MWOLSZCZAK 2009/06/04 CHKD: APPR: MDYSZEWSKA 2011/12/08	QUALITY SYMBOLS ▽=0 ◻=0	GENERAL TOLERANCES (UNLESS SPECIFIED)		DIMENSION STYLE MM ONLY		SCALE ---	DESIGN UNITS METRIC	FIRST ANGLE PROJECTION		
		mm	INCH	DRAWN BY MWOLSZCZAK	DATE 2008/05/10	TITLE NC-XP-FE-REC -XXXM-M8-THD.				
		4 PLACES ± ---	± ---	CHECKED BY MDABROWSKA	DATE 2008/05/10	APPROVED BY MDYSZEWSKA 2011/12/08				
		3 PLACES ± ---	± ---	MATERIAL NO. SEE DRAWING		DOCUMENT NO. 4RXF30XXXXXXX3		SHEET NO. 1 OF 1		
ANGULAR ± ---°		DRAFT WHERE APPLICABLE MUST REMAIN WITHIN DIMENSIONS		THIS DRAWING CONTAINS INFORMATION THAT IS PROPRIETARY TO MOLEX INCORPORATED AND SHOULD NOT BE USED WITHOUT WRITTEN PERMISSION						