

**Crimping contact
HDC-C-HE-BM1.5AG**

Weidmüller Interface GmbH & Co. KG
Klingenbergstraße 16
D-32758 Detmold
Germany
Fon: +49 5231 14-0
Fax: +49 5231 14-292083
www.weidmueller.com



Crimps provide a electrical and mechanical connection between wire and contact that is both secure and reliable. The optimal crimp connection is gas-tight and corrosion-resistant.

General ordering data

Type	HDC-C-HE-BM1.5AG
Order No.	1201300000
Version	Heavy-duty connectors, Crimp contact, HE, HEE, HQ, MixMate, Female, Conductor cross-section, max.: 1.5, turned, Copper alloy
GTIN (EAN)	4008190100346
Qty.	100 pc(s).

**Crimping contact
HDC-C-HE-BM1.5AG**

Weidmüller Interface GmbH & Co. KG
Klingenbergstraße 16
D-32758 Detmold
Germany
Fon: +49 5231 14-0
Fax: +49 5231 14-292083
www.weidmueller.com

Technical data

Dimensions and weights

Net weight	1.63 g	Diameter	4.5 mm
------------	--------	----------	--------

Environmental Product Compliance

REACH SVHC	Lead 7439-92-1
------------	----------------

General data

Contact diameter, male Ø	2.5 mm	Cross-section for connected wire	1.5 mm ²
Material	Copper alloy	Plugging cycles	≥ 500
Production methods	turned	Series	HE
Stripping length, rated connection	7.5 mm	Surface finish	silver
Surface layer thickness, max.	3 µm	Surface layer thickness, min.	2 µm
Type	Female	Type of connection	Crimp connection
Version insert	HE, HEE, HQ, MixMate	Volume resistance	≤ 2mΩ

Classifications

ETIM 3.0	EC000796	ETIM 4.0	EC000796
ETIM 5.0	EC000796	ETIM 6.0	EC000796
UNSPSC	30-21-18-01	eClass 5.1	27-14-34-19
eClass 6.2	27-26-12-02	eClass 7.1	27-44-02-04
eClass 8.1	27-44-02-04	eClass 9.0	27-44-02-04
eClass 9.1	27-44-02-04		

Approvals

Approvals



ROHS	Conform
------	---------

Downloads

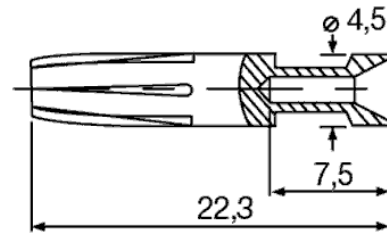
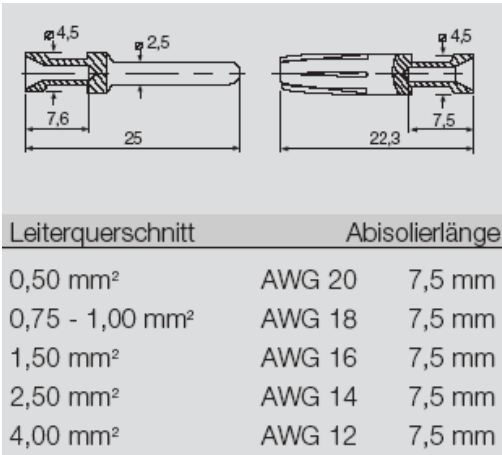
Brochure/Catalogue	CAT 3 HDC 17/18 EN FL FIELDWIRING EN
Engineering Data	EPLAN, WSCAD, Zuken E3.S
Engineering Data	STEP

Data sheet

**Crimping contact
HDC-C-HE-BM1.5AG**

Weidmüller Interface GmbH & Co. KG
 Klingenbergstraße 16
 D-32758 Detmold
 Germany
 Fon: +49 5231 14-0
 Fax: +49 5231 14-292083
 www.weidmueller.com

Drawings



Data sheet

**Crimping contact
HDC-C-HE-BM1.5AG**

Weidmüller Interface GmbH & Co. KG
 Klingenbergstraße 16
 D-32758 Detmold
 Germany
 Fon: +49 5231 14-0
 Fax: +49 5231 14-292083
 www.weidmueller.com

Accessories

CTIN / CTX



Crimping tools for turned contacts

- Ratchet guarantees precise crimping
- Release option in the event of incorrect operation
- With stop for exact positioning of the contacts.

General ordering data

Type	Order No.	Version	GTIN (EAN)	Qty.
CTIN CM 1.6/2.5	9205430000	Pressing tool, Crimping tool for contacts, 0.14mm ² , 6mm ² , 4-indent crimp	4032248733446	1 pc(s).
CTX CM 1.6/2.5	9018490000	Pressing tool, Crimping tool for contacts, 0.14mm ² , 4mm ² , W crimp	4008190884598	1 pc(s).

Non-contact tools



Tools for dismantling Weidmüller crimp contacts

General ordering data

Type	Order No.	Version	GTIN (EAN)	Qty.
Removal Tool HE	1866750000	Tools, Contact Removal Tool	4032248437078	1 pc(s).