

NOTES:

RATED VOLTAGE: MAX. 63V AC/DC
 RATED CURRENT: MAX. 12A at 40°C (derating has to be considered)
 IP RATING: IP67 (mated and locked condition)
 TEMPERATURE RANGE: -25°C TO +85°C

CABLE PRINTING (sequence as shown below):
 - MOLEX part number
 - "Made in " COUNTRY OF ORIGIN
 - MOLEX AND DATE OF MANUFACTURING (YY=YEAR; WW=WEEK): MXYWW
 - Not for current interrupting

PART ACCORDING PRODUCT SPEC: 1205010169
 PACKAGING ACCORDING PACKAGING SPEC: 1201202000

TABLE 1

POS	DESCRIPTION	MATERIAL	FINISH
1	NUT M12 FE	BRASS	Ni
2	CONTACT 15 FE	BRASS	Au
3	INSERT	PA	BLACK
4	OVERMOLD	TPE	BLACK
5	CABLE 4x1.5 D7.9 WSOR	PUR	BLACK
6	GASKET OR 8.2X1.25	FKM	BLACK
OPTIONAL 7	ID CARRIER	-	-

FUNCTIONAL SYMBOLS $\nabla_A = 0$ $\nabla_E = 0$ $\nabla_V = 0$	THIS DRAWING CONTAINS INFORMATION THAT IS PROPRIETARY TO MOLEX ELECTRONIC TECHNOLOGIES, LLC AND SHOULD NOT BE USED WITHOUT WRITTEN PERMISSION	CURRENT REV DESC: UPDATED ATTRIBUTE TO GENERAL MARKET IN ECTR						
	DIMENSION UNITS	SCALE	EC NO: 735577					CSE M12 4P LC FE RA WSOR BK XM UNSH 1.5
	mm	2:1	DRWN: NIKHIS3 2023/01/12		PRODUCT CUSTOMER DRAWING			
	GENERAL TOLERANCES (UNLESS SPECIFIED)		CHK'D: RSILLER 2023/01/19		DOCUMENT NUMBER		DOC TYPE	DOC PART
ANGULAR TOL ± 1.0°		APPR: RSILLER 2023/01/19		1205000335		PSD	000	A1
4 PLACES ±		INITIAL REVISION:		MATERIAL NUMBER		CUSTOMER		
3 PLACES ±		DRWN: FDAFERNER 2020/08/19		SEE TABLE 2		GENERAL MARKET		
2 PLACES ± 0.05		APPR: RSILLER 2022/12/05		SERIES		SHEET NUMBER		
1 PLACE ± 0.3		THIRD ANGLE PROJECTION		DRAWING		A3-SIZE		
0 PLACES ± 0.5		DRAFT WHERE APPLICABLE MUST REMAIN WITHIN DIMENSIONS		SERIES		120500		

ENGINEERING NO - NUMERICAL CODE (Available parts see PART LIST table. Other parts available upon request).

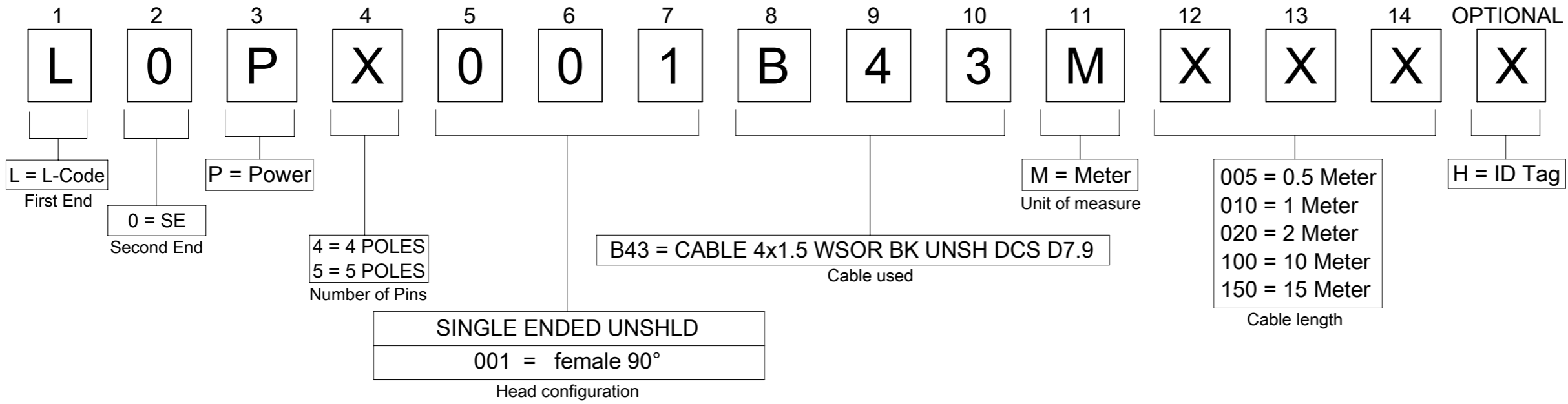


TABLE 2

NOMINAL SECTION 1,5mm ²			
MATERIAL NO.	ENGINEERING NO.	L [mm]	TOLERANCE [mm]
1205000335	L0P4001B43M010	1000	+40
1205000336	L0P4001B43M020	2000	+60
1205000337	L0P4001B43M030	3000	+60
1205000338	L0P4001B43M050	5000	+60
1205000339	L0P4001B43M100	10000	+80
1205000340	L0P4001B43M150	15000	+140
1205000341	L0P4001B43M200	20000	+140

FUNCTIONAL SYMBOLS	THIS DRAWING CONTAINS INFORMATION THAT IS PROPRIETARY TO MOLEX ELECTRONIC TECHNOLOGIES, LLC AND SHOULD NOT BE USED WITHOUT WRITTEN PERMISSION		
	$\nabla_A = 0$ $\nabla_E = 0$ $\nabla_F = 0$	DIMENSION UNITS mm	SCALE 1:1
DIVISIONAL SYMBOLS	GENERAL TOLERANCES (UNLESS SPECIFIED)		EC NO: 735577 DRWN: NIKHIS3 CHK'D: RSILLER APPR: RSILLER 2023/01/12 2023/01/19 2023/01/19 2020/08/19 2022/12/05
	ANGULAR TOL ± 1.0°		
	4 PLACES	±	
	3 PLACES	±	
	2 PLACES	± 0.05	
INITIAL REVISION:		DOCUMENT NUMBER 1205000335	
DRWN: FDAFERNER APPR: RSILLER		DOC TYPE PSD	
DRAFT WHERE APPLICABLE MUST REMAIN WITHIN DIMENSIONS		THIRDS ANGLE PROJECTION 	
DRAWING A3-SIZE		DOC PART 000	
SERIES 120500		REVISION A1	
MATERIAL NUMBER SEE TABLE 2		SHEET NUMBER 2 OF 2	
CUSTOMER GENERAL MARKET			