

NOTES:

RATED VOLTAGE: MAX. 63V AC/DC
 RATED CURRENT: MAX. 16A at 40°C (derating has to be considered)
 IP RATING: IP67 (mated and locked condition)
 TEMPERATURE RANGE: -25°C TO +85°C

CABLE PRINTING (sequence as shown below):

- MOLEX engineering no. (see page 2)
- MOLEX material no. (see page 2)
- MOLEX MAX. 63V AC/DC MAX. 16 A USL
- MOLEX AND DATE OF MANUFACTURING (YY=YEAR; WW=WEEK): MXYWW
- Not for current interrupting
- PROFINET 24V Power 4x2,5

PART ACCORDING PRODUCT SPEC: 1205010169
 PACKAGING ACCORDING PACKAGING SPEC: 1201202000

TABLE 1

POS	DESCRIPTION	MATERIAL	FINISH
1	NUT M12 FE	BRASS	Ni
2	NUT M12 MA	BRASS	Ni
3	CONTACT 15 MA	BRASS	Au
4	CONTACT 15 FE	BRASS	Au
5	INSERT FEMALE	PA	BLACK
6	INSERT MALE	PA	BLACK
7	OVERMOLD	TPE	BLACK
8	CABLE 4x2.5 D10.1 WSOR	PUR	BLACK
9	GASKET OR 8.2X1.25	FKM	BLACK
OPTIONAL 10	ID CARRIER	-	-

FUNCTIONAL SYMBOLS	THIS DRAWING CONTAINS INFORMATION THAT IS PROPRIETARY TO MOLEX ELECTRONIC TECHNOLOGIES, LLC AND SHOULD NOT BE USED WITHOUT WRITTEN PERMISSION		
	DIMENSION UNITS: mm SCALE: 2:1 GENERAL TOLERANCES (UNLESS SPECIFIED): ANGULAR TOL ± 1.0° 4 PLACES ± 3 PLACES ± 2 PLACES ± 0.05 1 PLACE ± 0.3 0 PLACES ± 0.5		
DIVISIONAL SYMBOLS	DRAFT WHERE APPLICABLE MUST REMAIN WITHIN DIMENSIONS THIRD ANGLE PROJECTION 	DRAWING: A3-SIZE SERIES: 120501 MATERIAL NUMBER: SEE TABLE 2 CUSTOMER: GENERAL MARKET	PRODUCT CUSTOMER DRAWING DOCUMENT NUMBER: 1205010132 DOC TYPE: PSD DOC PART: 000 REVISION: A1 SHEET NUMBER: 1 OF 2

ENGINEERING NO - NUMERICAL CODE (Available parts see PART LIST table. Other parts available upon request).

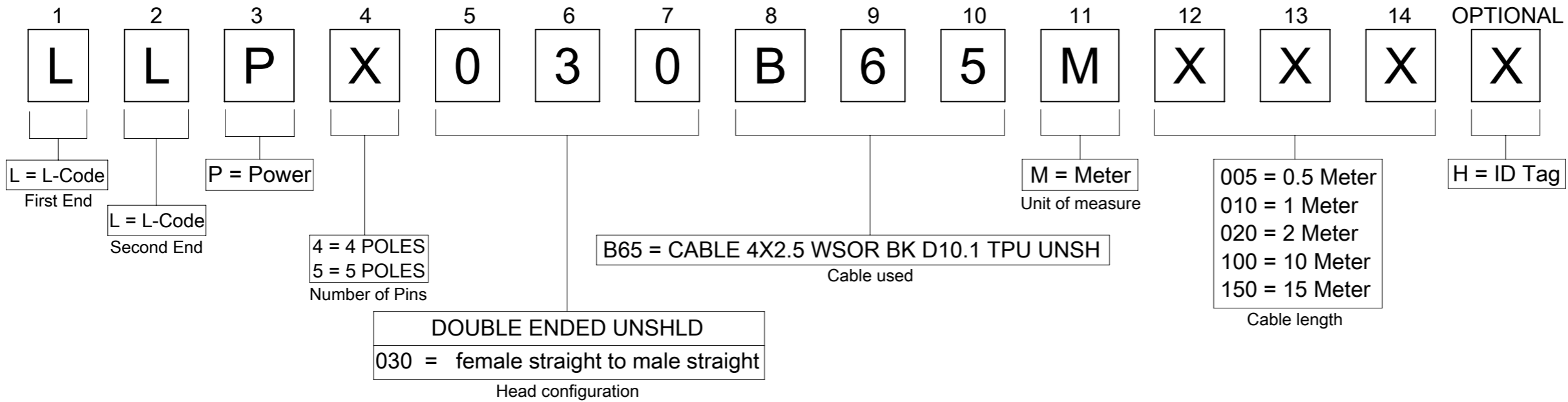


TABLE 2

NOMINAL SECTION 2,5mm ²			
MATERIAL NO.	ENGINEERING NO.	L [mm]	TOLERANCE [mm]
1205010132	LLP4030B65M005	500	+40
1205010133	LLP4030B65M010	1000	+40
1205010134	LLP4030B65M020	2000	+60
1205010135	LLP4030B65M030	3000	+60
1205010136	LLP4030B65M050	5000	+60
1205010137	LLP4030B65M100	10000	+80
1205010138	LLP4030B65M150	15000	+140
1205010139	LLP4030B65M200	20000	+160

FUNCTIONAL SYMBOLS	THIS DRAWING CONTAINS INFORMATION THAT IS PROPRIETARY TO MOLEX ELECTRONIC TECHNOLOGIES, LLC AND SHOULD NOT BE USED WITHOUT WRITTEN PERMISSION		
	DIMENSION UNITS	SCALE	CURRENT REV DESC: UPDATED ATTRIBUTE TO GENERAL MARKET IN ECTR
$\nabla_A = 0$	mm	1:1	 CSE M12 4P LC FE STR MA STR WSOR BK XM
$\nabla_E = 0$	GENERAL TOLERANCES (UNLESS SPECIFIED)		
$\nabla_Z = 0$	ANGULAR TOL $\pm 1.0^\circ$		EC NO: 735577 DRWN: NIKHIS3 2023/01/12 CHK'D: RSILLER 2023/01/19 APPR: RSILLER 2023/01/19
DIVISIONAL SYMBOLS	4 PLACES	\pm	
	3 PLACES	\pm	INITIAL REVISION: DRWN: FDAFERNER 2020/05/11 APPR: RSILLER 2021/10/05
	2 PLACES	± 0.05	
	1 PLACE	± 0.3	DOCUMENT NUMBER: 1205010132 DOC TYPE: PSD DOC PART: 000 REVISION: A1
	0 PLACES	± 0.5	
	DRAFT WHERE APPLICABLE MUST REMAIN WITHIN DIMENSIONS	THIRD ANGLE PROJECTION	DRAWING: A3-SIZE SERIES: 120501 MATERIAL NUMBER: SEE TABLE 2 CUSTOMER: GENERAL MARKET SHEET NUMBER: 2 OF 2