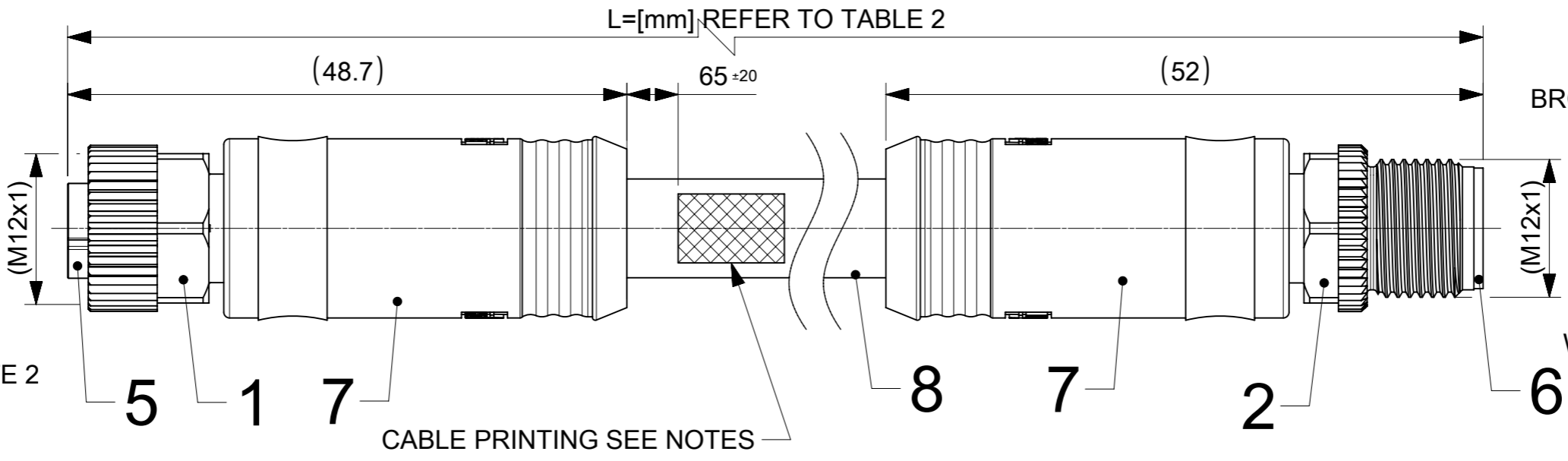
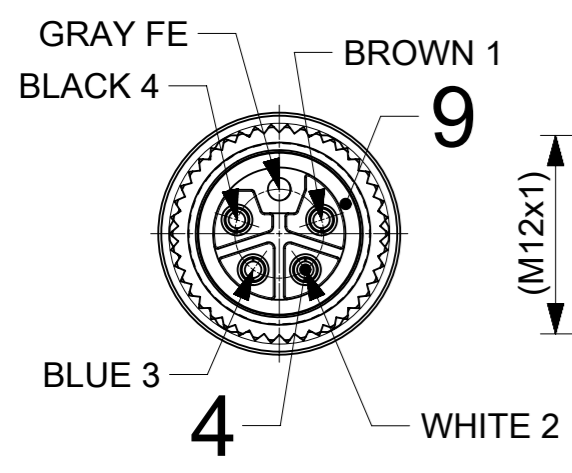
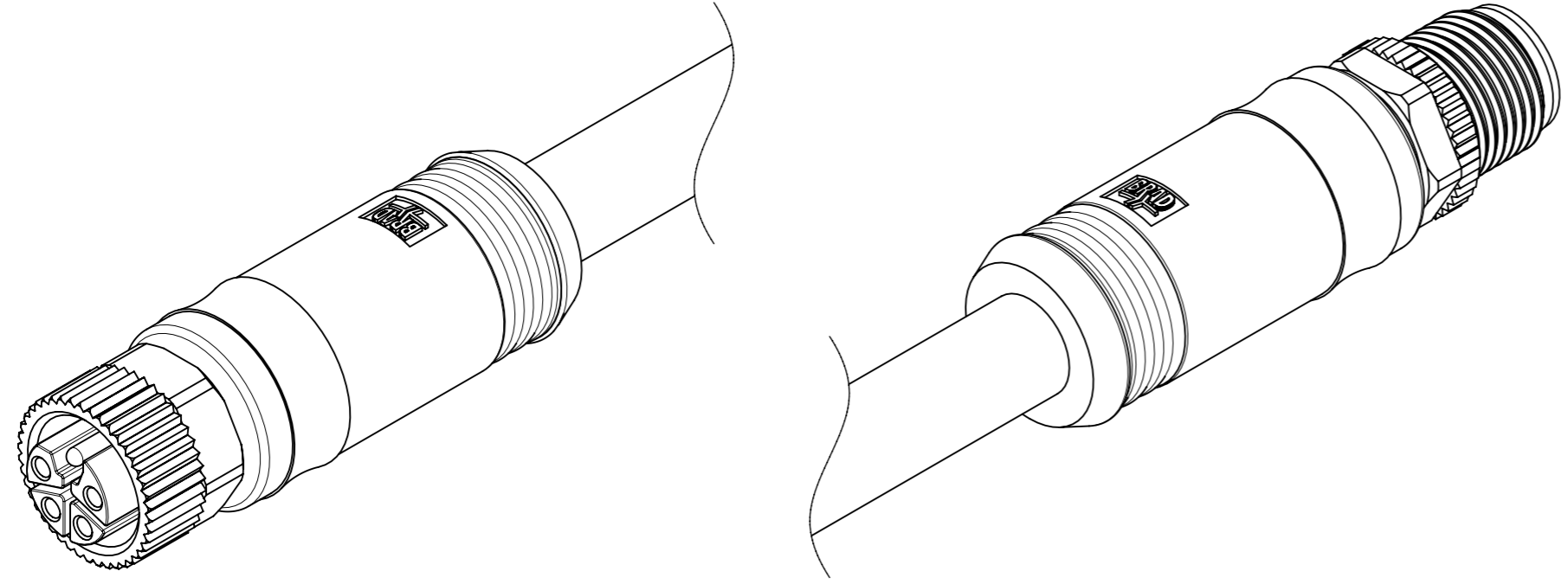
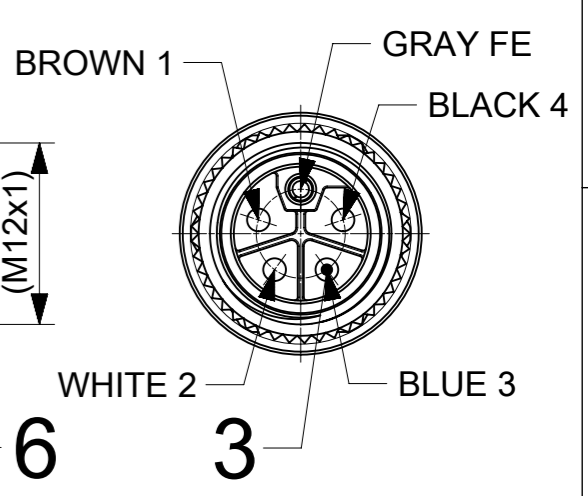


MATING SIDE



MATING SIDE



NOTES:

RATED VOLTAGE: MAX. 63V AC/DC
 RATED CURRENT: MAX. 12A at 40°C (derating has to be considered)
 IP RATING: IP67 (mated and locked condition)
 TEMPERATURE RANGE: -25°C TO +85°C

CABLE PRINTING (sequence as shown below):
 - MOLEX part number
 - "Made in " COUNTRY OF ORIGIN
 - MOLEX AND DATE OF MANUFACTURING (YY=YEAR; WW=WEEK): MXYWW
 - Not for current interrupting

PART ACCORDING PRODUCT SPEC: 1205010169
 PACKAGING ACCORDING PACKAGING SPEC: 1201202000

TABLE 1

POS	DESCRIPTION	MATERIAL	FINISH
1	NUT M12 FE	BRASS	Ni
2	NUT M12 MA	BRASS	Ni
3	CONTACT 15 MA	BRASS	Au
4	CONTACT 15 FE	BRASS	Au
5	INSERT FEMALE	PA	GREY
6	INSERT MALE	PA	GREY
7	OVERMOLD	TPE	BLACK
8	CABLE 5x1.5 D8.6 WSOR	PUR	GREY
9	GASKET OR 8.2X1.25	FKM	BLACK
OPTIONAL 10	ID CARRIER	-	-

FUNCTIONAL SYMBOLS $\nabla_A = 0$ $\nabla_F = 0$ $\nabla_V = 0$	THIS DRAWING CONTAINS INFORMATION THAT IS PROPRIETARY TO MOLEX ELECTRONIC TECHNOLOGIES, LLC AND SHOULD NOT BE USED WITHOUT WRITTEN PERMISSION	SCALE: 2:1		molex CSE M12 5P LC FE STR MA STR WSOR GY XM			
	DIMENSION UNITS: mm	GENERAL TOLERANCES (UNLESS SPECIFIED)					
	ANGULAR TOL ± 1.0°		4 PLACES ±		DRWN: NIKHIS3 2023/01/12		
	3 PLACES ±		2 PLACES ± 0.05		CHK'D: RSILLER 2023/01/19		
2 PLACES ± 0.3		1 PLACE ± 0.5		APPR: RSILLER 2023/01/19			
0 PLACES ± 0.5		DRAFT WHERE APPLICABLE MUST REMAIN WITHIN DIMENSIONS		INITIAL REVISION:			
THIRD ANGLE PROJECTION		DRAWING: A3-SIZE		DRWN: FDAFERNER 2020/08/19			
SERIES: 120501		MATERIAL NUMBER: SEE TABLE 2		DRWN: RSILLER 2022/12/05			
CUSTOMER: GENERAL MARKET		SHEET NUMBER: 1 OF 2		DOCUMENT NUMBER: 1205010200			
DOC TYPE: PSD		DOC PART: 000		REVISION: A1			

ENGINEERING NO - NUMERICAL CODE (Available parts see PART LIST table. Other parts available upon request).

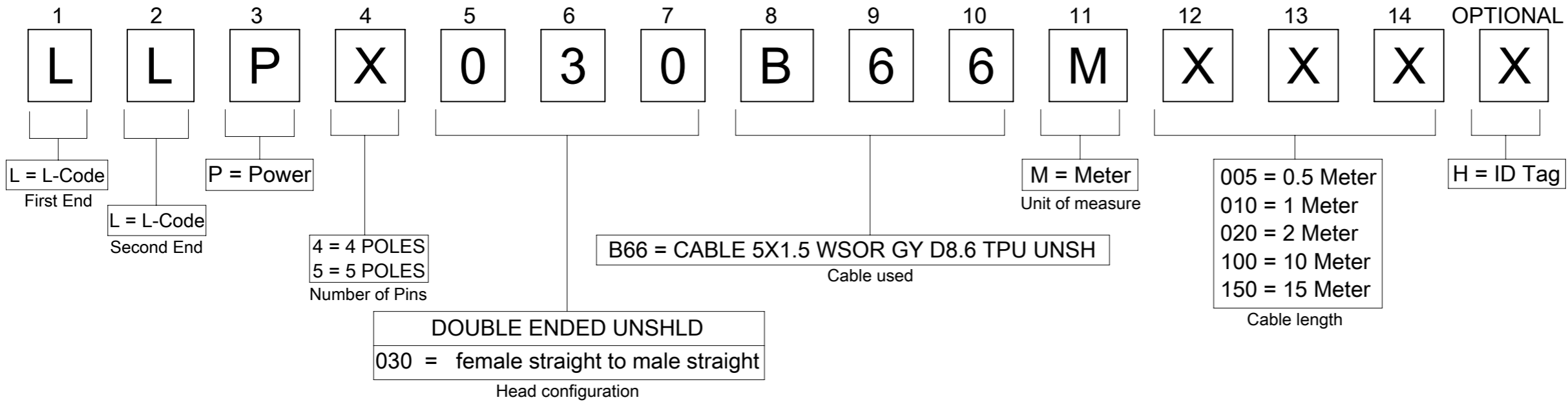


TABLE 2

NOMINAL SECTION 1,5mm ²			
MATERIAL NO.	ENGINEERING NO.	L [mm]	TOLERANCE [mm]
1205010200	LLP5030B66M005	500	+40
1205010201	LLP5030B66M010	1000	+40
1205010202	LLP5030B66M020	2000	+60
1205010203	LLP5030B66M030	3000	+60
1205010204	LLP5030B66M050	5000	+60
1205010205	LLP5030B66100	10000	+80
1205010206	LLP5030B66M150	15000	+140
1205010207	LLP5030B66M200	20000	+160

FUNCTIONAL SYMBOLS	THIS DRAWING CONTAINS INFORMATION THAT IS PROPRIETARY TO MOLEX ELECTRONIC TECHNOLOGIES, LLC AND SHOULD NOT BE USED WITHOUT WRITTEN PERMISSION		
	DIMENSION UNITS: mm SCALE: 1:1 GENERAL TOLERANCES (UNLESS SPECIFIED) ANGULAR TOL ± 1.0° 4 PLACES ± 3 PLACES ± 2 PLACES ± 0.05 1 PLACE ± 0.3 0 PLACES ± 0.5	EC NO: 735577 DRWN: NIKHIS3 CHK'D: RSILLER APPR: RSILLER 2023/01/12 2023/01/19 2023/01/19	CURRENT REV DESC: UPDATED ATTRIBUTE TO GENERAL MARKET IN ECTR CSE M12 5P LC FE STR MA STR WSOR GY XM PRODUCT CUSTOMER DRAWING
DIVISIONAL SYMBOLS	DRAFT WHERE APPLICABLE MUST REMAIN WITHIN DIMENSIONS THIRD ANGLE PROJECTION DRAWING: A3-SIZE SERIES: 120501	INITIAL REVISION: DRWN: FDAFERNER APPR: RSILLER 2020/08/19 2022/12/05	DOCUMENT NUMBER: 1205010200 DOC TYPE: PSD DOC PART: 000 REVISION: A1 MATERIAL NUMBER: SEE TABLE 2 CUSTOMER: GENERAL MARKET SHEET NUMBER: 2 OF 2