

## FEATURES

- Glass reinforced polyester (GRP) case providing protection to IP44
- 110V centre tapped to earth (CTE) secondary winding
- 10amp thermal magnetic trip (hand resettable) reducing the chance of overload
- 2x 16A 110V Sockets
- Thermal overload protection
- Intermittent rating: maximum ration for operating load
- 2 metre input mains lead with 13A UK domestic plug

## RS PRO, 1.5kVA Intermittently rated Isolation Transformer, 230V ac, 2 x 16A

RS Stock No.: 122-6714



RS Professionally Approved Products bring to you professional quality parts across all product categories. Our product range has been tested by engineers and provides a comparable quality to the leading brands without paying a premium price.

## Product Description

This safety transformer from our own RS PRO brand is high quality, UK manufactured to BSEN (British Standard European Norm) 61588 and fully compliant with reduced low voltage regulations.

## General Specifications

<b>Type</b>	Portable Tool Isolation Transformer
<b>Enclosure</b>	GRP - Colour yellow
<b>Applications</b>	Isolation, transmission, distribution and utilization of alternating current electric power, Increasing low AC voltages at high current or decreasing high AC voltages at low current in electric power applications, and for coupling stages of signal processing circuits

## Electrical Specifications

<b>Power Rating</b>	1.5kVA Intermittently rated
<b>Primary Voltage Rating</b>	230 V ac
<b>Secondary Voltage Rating</b>	110 (55V-0V-55V)V
<b>Output Current</b>	2 x 16A
<b>Minimum Operating Frequency</b>	50Hz
<b>Maximum Operating Frequency</b>	60Hz
<b>Plug Type</b>	BS 1363
<b>Socket Type</b>	BS EN 60309
<b>Thermal Cutout</b>	6A

## Mechanical Specifications

<b>Mounting Type</b>	Stand Alone
<b>Dimensions</b>	195mm x 195mm x 265mm
<b>Length</b>	195mm
<b>Width</b>	195mm
<b>Depth</b>	265mm
<b>Weight</b>	12kg

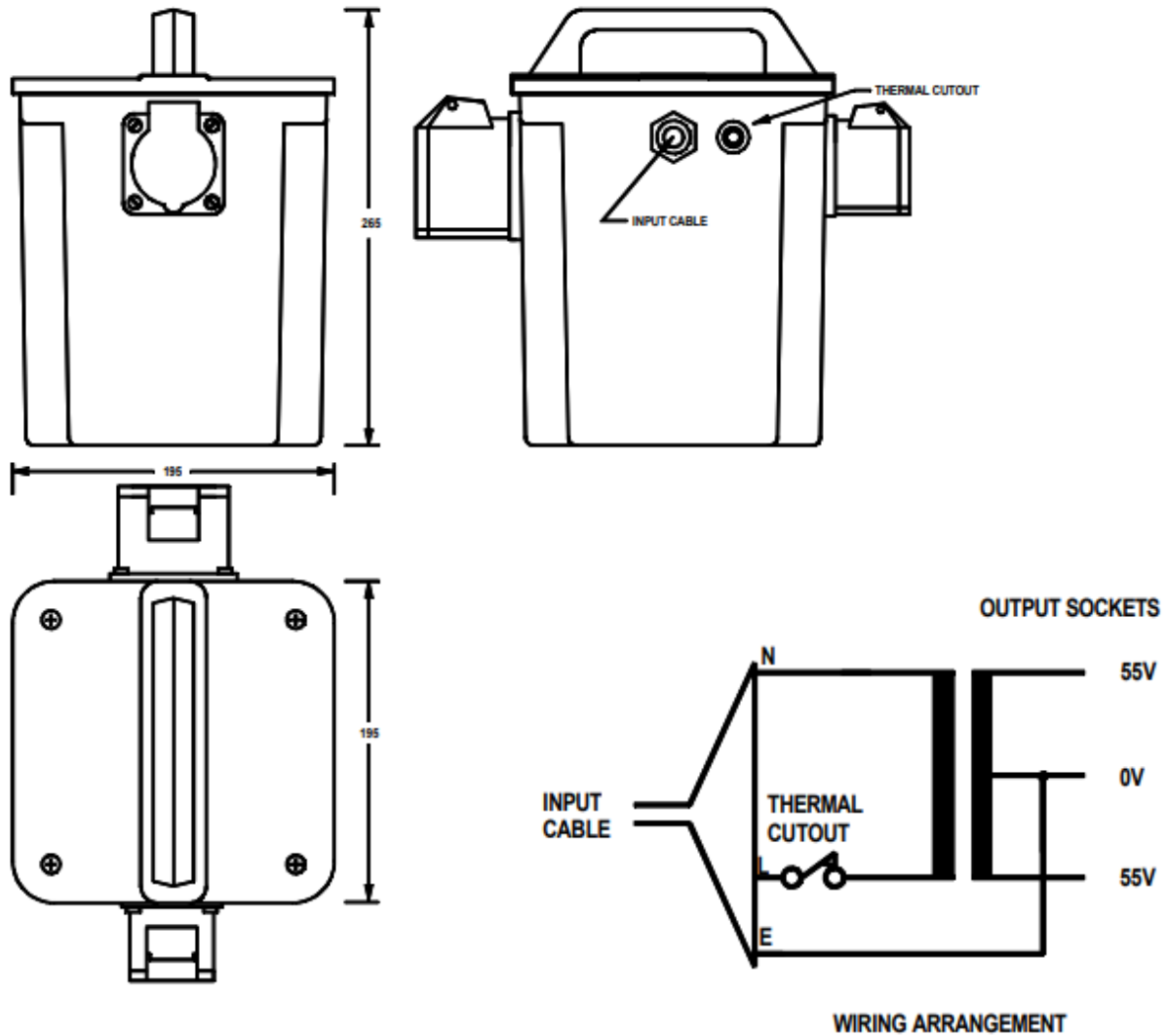
## Protection Category

<b>IP Rating</b>	IP44
------------------	------

## Approvals

<b>Compliance/Certifications</b>	RoHS Directive 2011/65/EU
<b>Standards Met</b>	BS EN 61558, BS EN 61558-20-23, BS EN 60529





**PORTABLE TOOL TRANSFORMER**