

Features

- Very high output voltage & Linearity in small size
- Fully ROHS & REACH Compliance Ratio of 1000:1
- Integral flying for ease of installation
- Large center-hole allows 6.3mm tabs
- All Materials UL94-V0
- Operating temp range -40 deg C to +85 deg C

RS PRO Flying Lead Current Transformers

RS Stock No.: 1243897



RS PRO Professionally Approved Products bring to you professional quality parts across all product categories. Our product range has been tested by engineers and provides a comparable quality to the leading brands without paying a premium price.

Product Description

The RS PRO fly lead terminated current transformer offers a very high output voltage and linearity in a compact design. Fitted with 250mm 24 AWG long fly leads and the current transformers large 7mm centre hole can accommodate 6.3mm tabs for easy and simple installation. All materials meet UL94V-0 dictating that in the event of a fire the flammable parts of the transformer will not burn for more than 10 secs protecting equipment and premises for a safe and reliable transformer fit for a wide range of applications.

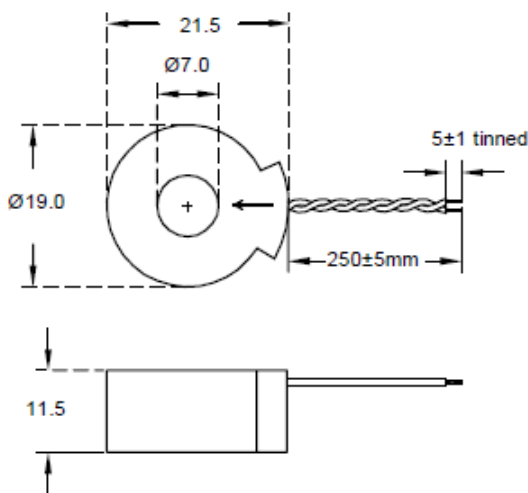
General Specifications

Transformer Type	Current Transformer
Mounting Type	PCB Mount

Electrical Specifications @ 20°C ambient

Primary Current Range	50A Max
Turns Ratio	1000:1 nominal
Burden Resistance	33 Ω
Winding Resistance	72Ω Nominal
Operating Frequency	50/60Hz
Dielectric Withstanding Voltage (Hi-pot)	4KVrms

Mechanical Dimensions



Response Curve

