

FELLER GMBH

A-2525 GUENSELSDORF, AUSTRIA - TEL.: . . 43(2256) 62 32 50 - FAX: . . 43 (2256) 62 32 57
e-mail: sales@feller-at.com <http://www.feller-at.com>

Description: 12G-H05VVF3G100-G46+0492/3,00M SW9005

Rating of cord set: 10A, 250Vac

1. PLUG: Type 12G

Molded plug according to : SEV 1011:2009, chapter SEV 6534/2
Rated current and voltage : 10A, 250 V AC
Plugbase : thermoplastic Polyester (PBTP) GFR
Pins : brass, part-insulated, nickel-plated, crimped
Pins outer diameter : 4,0 mm
Outer mold : PVC compound, hardness Shore A75-77
Approvals : SEV

2. CORD: Type H05VVF3G1,00mm²

Flexible cord according to : ÖVE K41a; EN50525; AS 3191, IEC 60227
Marked : *JF*<ÖVE><HAR>H05VVF3G1,0mm²*N1095*CE*CCC 60227
IEC 53 (RVV) 300/500V 3X1,0*KTL SW01001-2001A
Number of cores : 3
Conductor construction : 31x0,20 mm O.D. 1,25mm
Conductor insulation : Extruded PVC O.D. 2,40mm
Jacket : Extruded PVC O.D. 6,80mm +/- 0,20mm
Temperature rating : -20°C up to +70°C
Resistance of conductors : max. 19,5 Ω/km
Dielectric strength : 2kVac, 1min.
Insulation resistance : >0,010MΩ/km
Color of conductors : yellow/green, brown, blue
Approvals : HARMONIZED, ÖVE

3. 2nd end preparation: g46+0492

46mm jacket removed with end terminals LEAR 25787.123.009 MS BLK DIN 46228 D

Environmental conformity

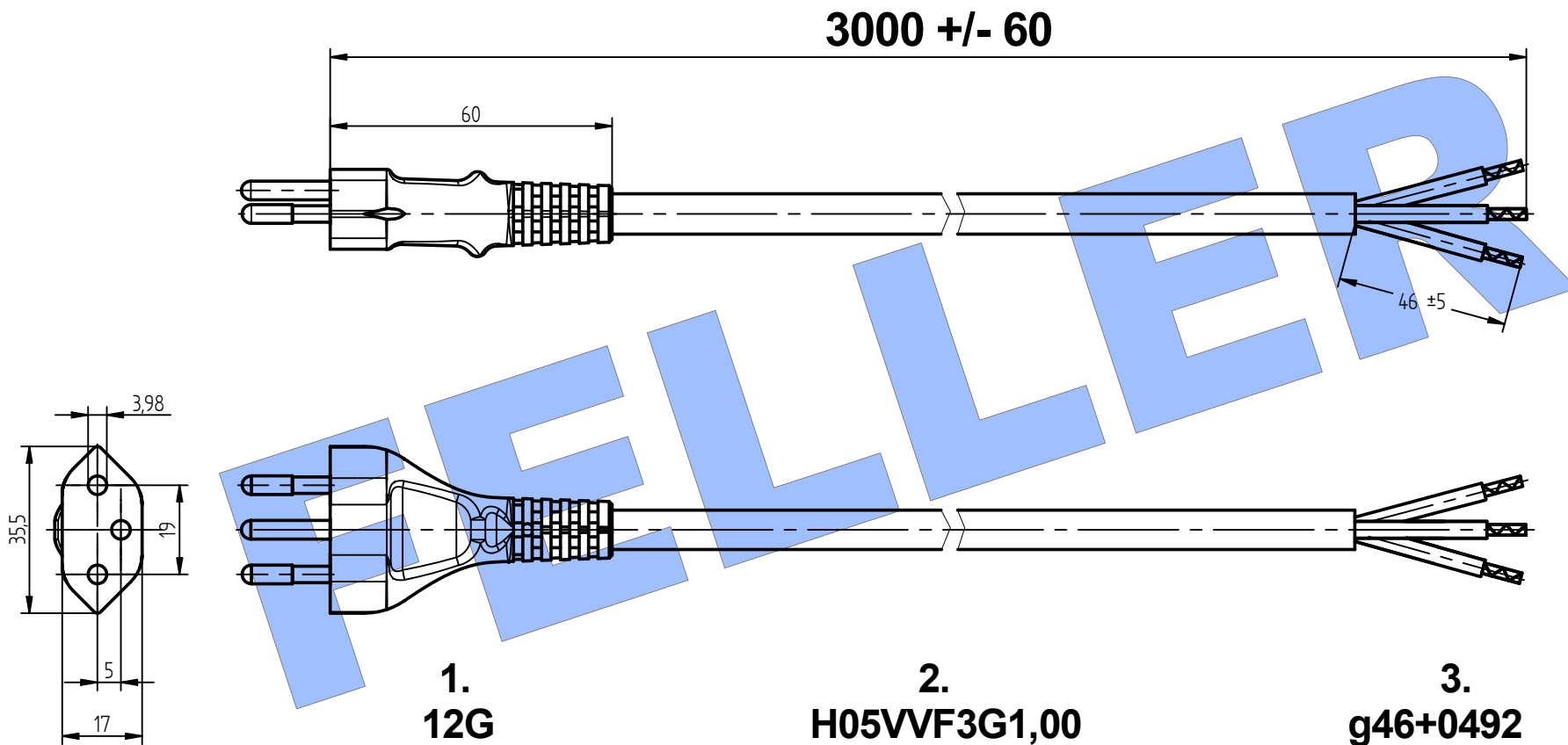
: EU-Directive 2012/19/EU (WEEE)
EU-Directive 2011/65/EU
EU-Directive 1907/2006 EG (REACH -compliant)

TESTING

Electrical testing : 100%
Visual inspection : 100%
High pot test wire to wire : 3kVac for 2 sec.
Continuity test : 25Aac to grounding / 20Aac to line and neutral
Polarity test : yes
Skin high pot test : 6kVac line to skin

design subject to change without prior notice, except written agreements with customer

DATE of ISSUE:	September, 2018
REV: 1	ORIG: DG



Feller Type: 12G-H05VVF3G100-G46+0492/3,00M SW9005

PN: 143-30-661

All dimensions in mm

25.09.2018

DG

FELLER 

A-2525 Günselsdorf, Austria

Telefon 0043-2256-62325-0

Fax: 0043-2256-62325-7

email: sales@feller-at.com

<http://www.feller-at.com>