

## Data sheet

### Cat.7 cable connector

Page 1/6

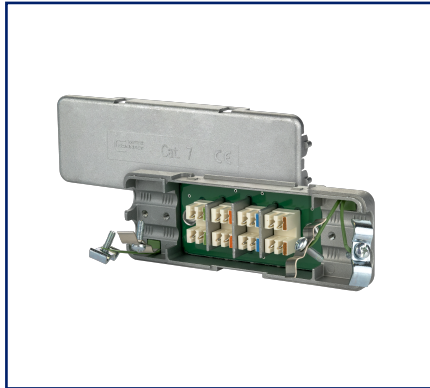
P/N  
130863-E

EAN 4250184104193

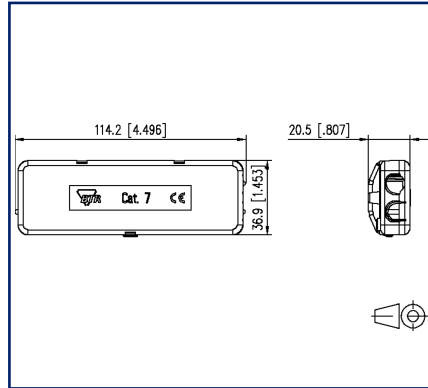
2023/04/05

Version: AF

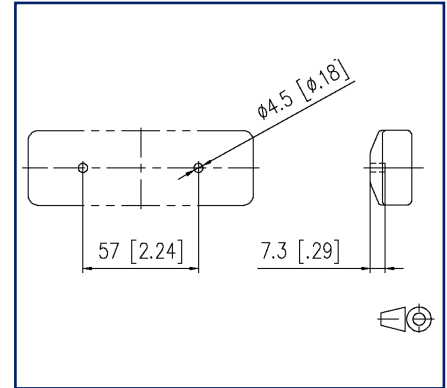
### Illustrations



Dimensional drawing



Drill pattern



See enlarged drawings at the end of document

### Product specification

- for connecting/extending data cables up to Cat.7<sub>A</sub>
- in combination with Cat.6<sub>A</sub> to Cat.8 cables and Cat.6<sub>A</sub> connection technology, class E<sub>A</sub> according to ISO/IEC 11801 is fulfilled
- connection of data lines AWG 26/1 to 22/1 (solid wire)
- cable feed from one or two sides
- cable sharing, i.e. splitting one 8-wire cable into two 4-wire cables (one cable tie required each on input and output side)
- fully shielded metal housing
- strain relief and separate captive 360° shield connection
- 2 bore holes for wall mounting
- IP67 protection due to special shrink tube



# P | Cabling

## Data sheet Cat.7 cable connector

Page 2/6

P/N

130863-E

EAN 4250184104193

2023/04/05

Version: AF

### Technical Data

#### General Data

Mechanical measurement according to MICE	M1
Ingress measurement according to MICE	I1
Climatic measurement according to MICE	C1
Electromagnetic measurement according to MICE	E2
Design	cable connector
Shielding	shielded
Transmission technology	Copper
Color	metallike
Dimensions	
Dimension (L x W x H)	114.2 mm x 20.5 mm x 36.9 mm
Dimension (L x W x H)	4.496 in. x 0.807 in. x 1.453 in.

#### Transmission characteristics

Category (ISO)	7
Class (ISO/IEC)	E <sub>A</sub>

#### Connections/interfaces

Connector technology interface 1	LSA terminal block
Connector technology interface 2	LSA terminal block
Number of ports interface 1	1
Number of ports interface 2	1
Number of equipped ports interface 1	1
Number of ports interface 2 equipped	1
Termination data, solid wire (min. - max.)	
Conductor cross section, solid wire	AWG 26/1 - AWG 22/1
Conductor cross section, solid wire	0.128 mm <sup>2</sup> - 0.324 mm <sup>2</sup>
Conductor diameter, solid wire (bare copper)	0.409 mm - 0.643 mm
Conductor diameter, solid wire (bare copper)	0.016 in. - 0.025 in.



# P | Cabling

## Data sheet Cat.7 cable connector

Page 3/6

P/N

130863-E

EAN 4250184104193

2023/04/05

Version: AF

### Technical Data

#### Connections/interfaces

Cable sheath diameter (min. - max.)

Cable sheath diameter	5.5 mm - 9.6
Cable sheath diameter	0.197 in. - 0.354
Cable access/outlet	from one or two sides
Reconnectibility	yes, if cross section is greater or the same

#### Electrical characteristics

Rated voltage	60 V
Through resistance	max. 5 mOhm
Insulation resistance	min. 100 MOhm
Dielectric strength conductor-conductor (primarily)	750 V DC

#### Mechanical data

Life - Number of mating cycles	min. 100
--------------------------------	----------

#### Materials and material properties

Material - Housing	GD-Zn (zinc die-cast)
Halogen free	yes

#### Environmental conditions

Temperature (min. - max.)	
Temperature - Storage °C	-25 °C - 85 °C
Temperature - Storage °F	-13 °F - 185 °F
Temperature - Operating °C	-25 °C - 85 °C
Temperature - Operating °F	-13 °F - 185 °F
Shock	490 m/s <sup>2</sup>

#### Classifications

ETIM 5.0	EC001121
ETIM 6.0	EC001121
ETIM 7.0	EC001121
ETIM 8.0	EC001121
ETIM 9.0	EC001121

# P | Cabling

Data sheet

## Cat.7 cable connector

Page 4/6

P/N  
130863-E

EAN 4250184104193

2023/04/05

Version: AF

### Technical Data

#### Packing details

Type of packaging	1 pc(s) / plastic bag
Packaging unit - Weight (gram)	168 g
Packaging unit - Weight (pound)	0.37 lb
Packaging dimension	160 mm x 100 mm x 380 mm
Packaging dimension	6.299 in. x 3.937 in. x 14.961 in.



# P | Cabling

Data sheet

## Cat.7 cable connector

Page 5/6

P/N  
130863-E

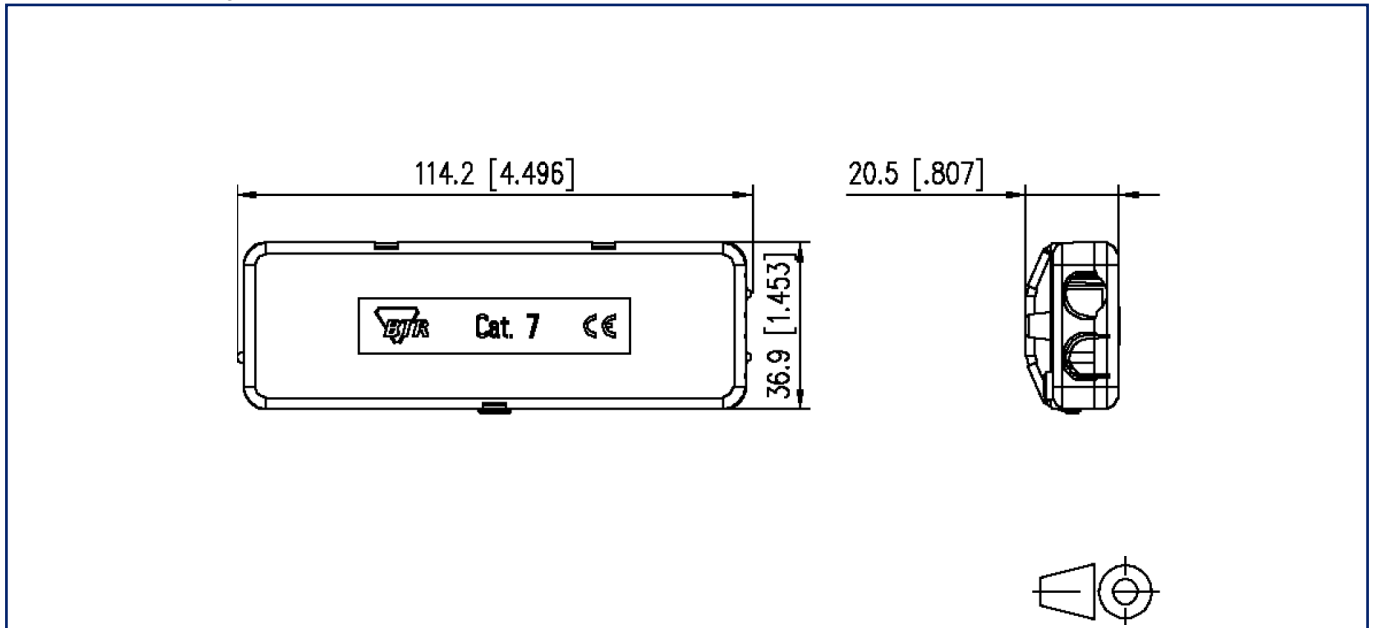
EAN 4250184104193

2023/04/05

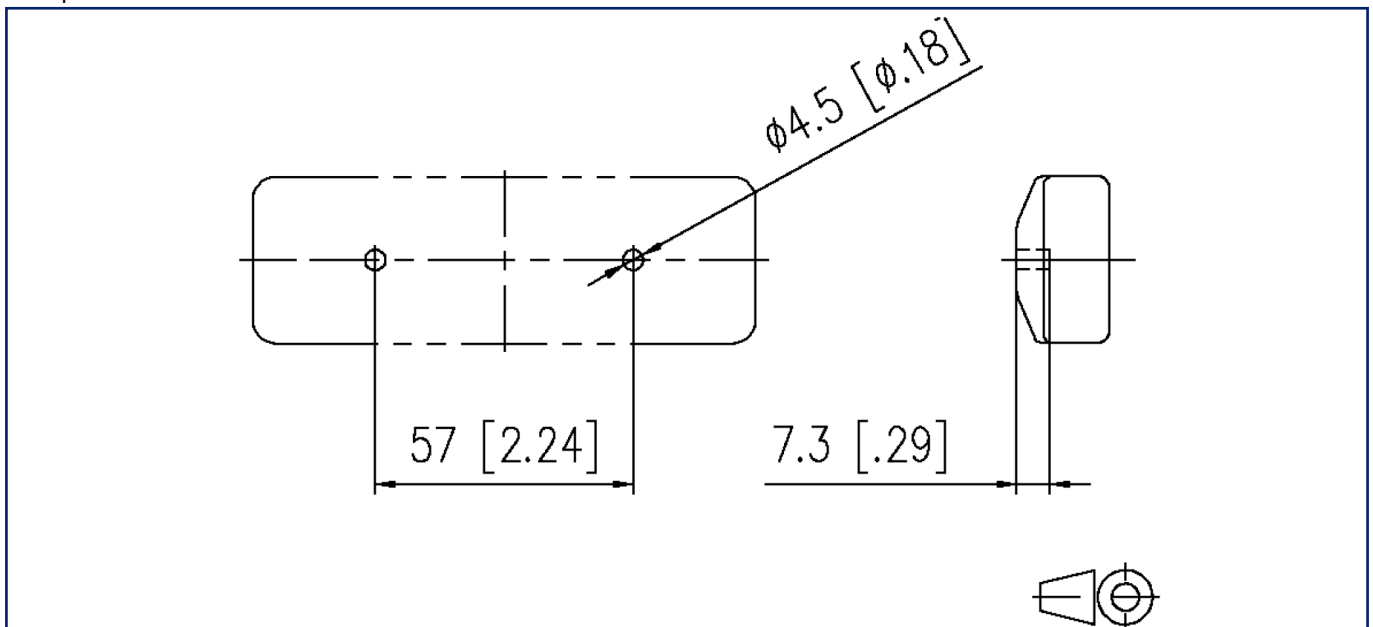
Version: AF

### Illustrations

Dimensional drawing



Drill pattern



# P | Cabling

Data sheet

## Cat.7 cable connector

Page 6/6

P/N  
130863-E

EAN 4250184104193

2023/04/05

Version: AF

### Illustrations

Wiring diagram

