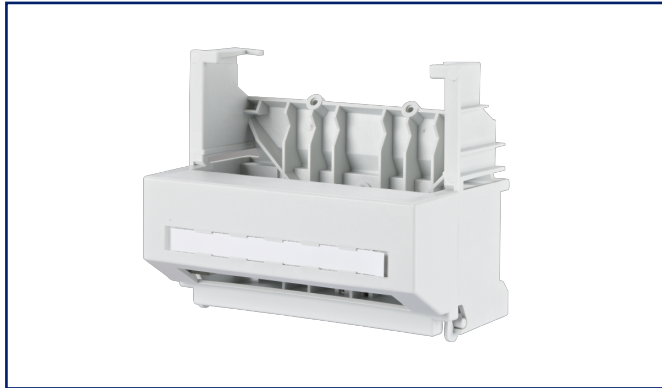
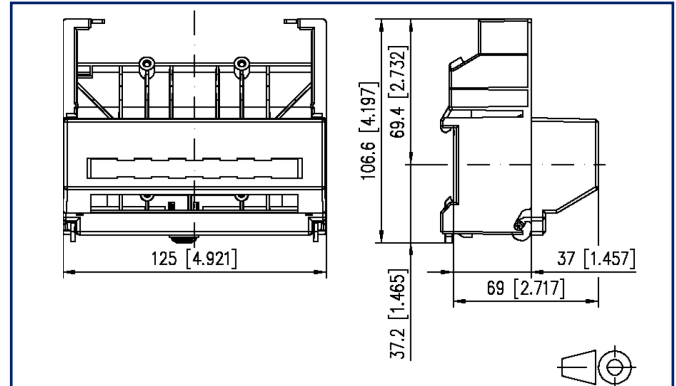


**Data sheet
DIN rail adapter**

Page 1/4

P/N
1308990110-E
EAN 4250184105336
2023/03/30
Version: L**Illustrations**

Dimensional drawing



See enlarged drawings at the end of document

Product specification

- top hat rail adapter for mounting 6-fold 1RU distributor modules in different distributor systems with top hat rail (TH35)
- matching 6-fold modules: C6_A modul 6 port, E-DAT C6_A 6 port, E-DAT module 6 port, E-DAT C6 6 port, OpDAT 6M



P | Cabling

Data sheet DIN rail adapter

Page 2/4

P/N
1308990110-E
EAN 4250184105336
2023/03/30
Version: L

Technical Data

General Data

Mechanical measurement according to MICE	M1
Ingress measurement according to MICE	I1
Climatic measurement according to MICE	C1
Electromagnetic measurement according to MICE	E3
Design	DIN rail adapter
Mounting style	Accessories
Color	light gray
Dimensions	
Dimension (L x W x H)	69 mm x 125 mm x 106.6 mm
Dimension (L x W x H)	2.717 in. x 4.921 in. x 4.197 in.
Labeling option	label strip / labeling strip

Materials and material properties

Halogen free	yes
RoHS	compliant

Classifications

ETIM 5.0	EC000119
ETIM 6.0	EC000119
ETIM 7.0	EC000119
ETIM 8.0	EC000119
ETIM 9.0	EC000119

Packing details

Type of packaging	1 pc(s) / box
Packaging unit - Weight (gram)	182 g
Packaging unit - Weight (pound)	0.4 lb
Packaging dimension	107 mm x 76 mm x 127 mm
Packaging dimension	4.213 in. x 2.992 in. x 5 in.

P | Cabling

Data sheet DIN rail adapter

Page 3/4

P/N
1308990110-E
EAN 4250184105336
2023/03/30
Version: L

Accessories

P/N	Designation
130864-03-E	COAX distributor 1RU
130922-00-E	6 port module frame 1RU
130922-03-E	E-DAT modul 6x8(8) for 1RU patch panel Cat.6 _A
130B11P2-E	C6 _A modul 6 port 180°M for 1RU
860018-10-E	E-DAT 6x8 Modul Class E/Cat.6 Link
860018-11C-E	E-DAT C6 _A 6 port for 1RU inlet



P | Cabling

Data sheet DIN rail adapter

Page 4/4

P/N
1308990110-E
EAN 4250184105336
2023/03/30
Version: L

Illustrations

Dimensional drawing

