

## Waterproof USB Connectors

### Mini USB 2.0-Cable

End 1: M30 panel conn. Mini USB 2.0 Type AB

End 2: Plug, Mini USB 2.0 Type B

Protection: IP 64 / IP 67  
(Assembled with CAP)

Contacts: 5

Housing: Plastic, Black (PA)

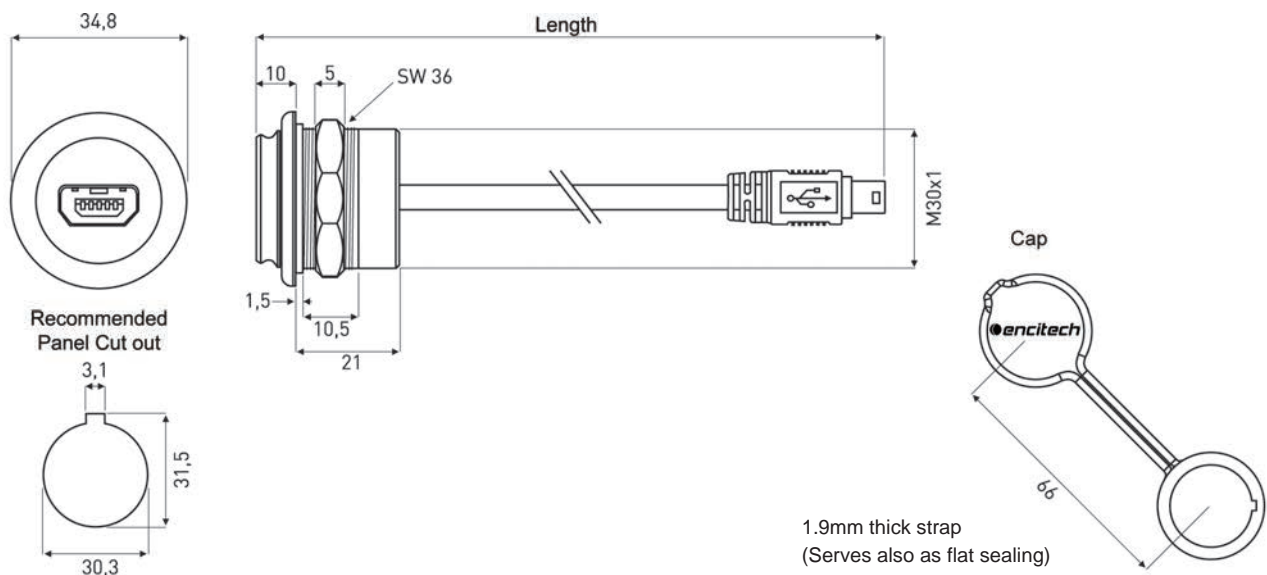
Cap: Elastolan®

Plastic nut: Plastic, Black (PA)

Contact plating: Gold

Connection: Solder

Kit: Including CAP + nut



#### M30 Mini USB 2.0 with Cable

Cable length:	Part No:
0.5m	1310-1026-01
1.0m	1310-1026-02
1.5m	1310-1026-03
2.0m	1310-1026-04
3.0m	1310-1026-05



**Encitech AB**  
Rörkullsvägen 4  
SE-302 41 HALMSTAD, Sweden

Tel.: +46-(0)35-15 13 90  
Fax: +46-(0)35-15 13 99

[www.encitech.com](http://www.encitech.com)