

## Waterproof USB Connectors

M16-Panel mount connector

Front mounting, Coupler

USB 3.1 Type C

Protection: IP 64 / IP 67  
(Assembled with CAP)

Contacts: 24

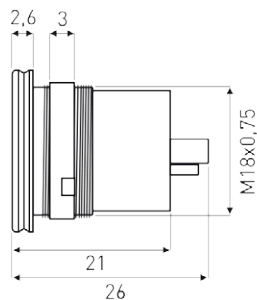
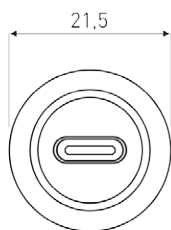
Material:

Housing: Plastic, Black (PA), UL94 V-0

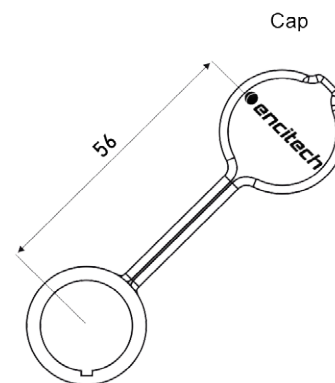
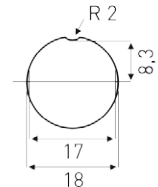
CAP: Elastolan, Black, UL94 HB

Contact plating: Gold-plated

Kit: Including CAP + Ring nut



Recommended  
Panel Cut out



### M16 Panel mount USB 3.1 Type C

**Connector:**

**Part No:**

Panel Connector

1310-1040-01

**Accessories:**

**Part No:**

Mounting Tool for Ring nut

1310-0099-01



Encitech Connectors AB

Rörkullsvägen 4  
SE-302 41 HALMSTAD, Sweden

Tel: +46-(0)35-15 13 90  
e-mail: connectors@encitech.com

[www.encitech.com](http://www.encitech.com)