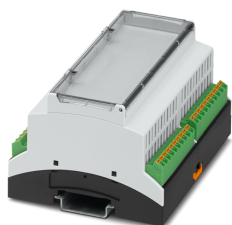


Housing set - BC 107,6-KIT-U11-7035 + 4SPTA12 - 1311009

Please be informed that the data shown in this PDF Document is generated from our Online Catalog. Please find the complete data in the user's documentation. Our General Terms of Use for Downloads are valid (<http://phoenixcontact.com/download>)



Electronics housing, DIN rail mounting, light gray (7035), transparent hinged cover, width: 107.6 mm, height: 89.7 mm, depth: 60.7 mm, incl. 4 PCB terminal blocks, 12-pos., Push-in, for 1 mm², nominal current: 9 A, 200 V, PCB surface: 8740 mm²



Key Commercial Data

Packing unit	10 pc
GTIN	
GTIN	4063151603243
Custom tariff number	85369010

Technical data

Item properties

Brief article description	Housing set
Type	BC 107,6 - KIT - U11-7035 + 4SPTA12
Item no.	1311009
Housing type	DIN rail housing for use in distribution boards in accordance with DIN 43880
Housing series	BC
Range of articles	BC 107,6
Type	Upper housing part (U11) with vents
Max. IP code to attain	IP20
Mounting type	DIN rail mounting/wall mounting
Connection levels	1 (Both sides)
Ventilation openings present	yes
Number of positions	48 (pitch: 3.5 mm)

Dimensions

Caption	Schematic figure for illustrating the item dimensions. The figure is not of the desired product. For further details, refer to the product drawings in the "Downloads" tab.
---------	-----------------------------------------------------------------------------------------------------------------------------------------------------------------------------

Housing set - BC 107,6-KIT-U11-7035 + 4SPTA12 - 1311009

Technical data

Dimensions

Width [w]	107.6 mm
Height [h]	89.7 mm
Depth [d]	60.7 mm
Depth from top edge of DIN rail [d]	54.7 mm
Dimensions	81.54 mm x 107.3 mm (PCB dimensions)
Horizontal pitch	6 Div.

PCB data

Number of PCB holders	9
PCB thickness	1.4 mm ... 1.8 mm
Mounting position	parallel to the DIN rail
PCB surface, maximum	8740 mm ²
Type of PCB mount	Latching

Material specifications - lower housing part

Material	Polycarbonat
Color (RAL)	black (9005)
Flammability rating according to UL 94	V0

Material specifications - upper housing part

Material	Polycarbonat
Color (RAL)	light gray (7035)
Flammability rating according to UL 94	V0

Ambient conditions

Ambient temperature (storage/transport)	-40 °C ... 70 °C
Ambient temperature (assembly)	-5 °C ... 100 °C
Ambient temperature (operation)	-40 °C ... 105 °C (depending on power dissipation)
Relative humidity (storage/transport)	95 %

General information

Type of note	Assembly instruction:
Note	Please observe the assembly instructions available in the download area.

Packaging information

Type of packaging	packed in cardboard
Pieces per package	10
Denomination packing units	Pcs.
Outer packaging type	Carton

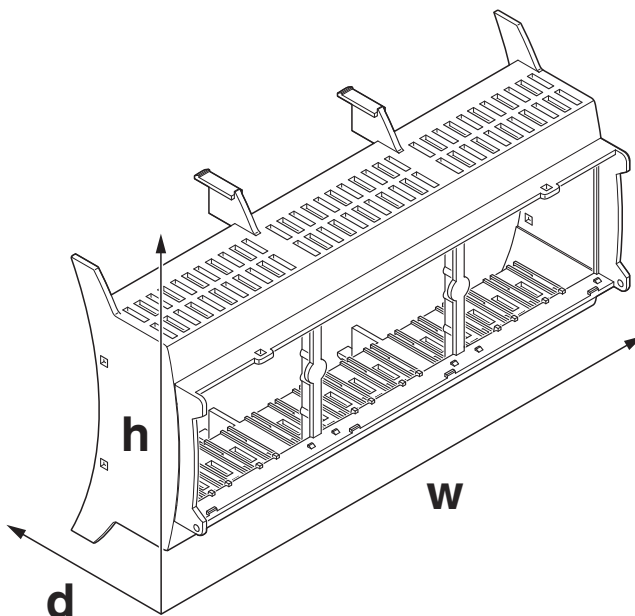
Standards and regulations

Flammability rating according to UL 94	V0
----------------------------------------	----

Drawings

Housing set - BC 107,6-KIT-U11-7035 + 4SPTA12 - 1311009

Dimensional drawing



Schematic figure for illustrating the item dimensions. The figure is not of the desired product. For further details, refer to the product drawings in the "Downloads" tab.

Articles in set

PCB terminal block - SPTA 1/12-3,5 - 1752201



PCB terminal block, nominal current: 9 A, rated voltage (III/2): 200 V, nominal cross section: 1 mm², number of potentials: 12, Number of rows: 1, Number of positions per row: 12, product range: SPTA 1/, pitch: 3.5 mm, connection method: Push-in spring connection, mounting: Wave soldering, conductor/PCB connection direction: 65 °, color: green, Pin layout: Linear pinning, Solder pin [P]: 3.5 mm, type of packaging: packed in cardboard

Classifications

eCl@ss

eCl@ss 11.0	27182702
-------------	----------