

# Housing set - EH 45-KIT-B+CDS/ABS-PC-7035 + 2MKDS38 - 1311036

Please be informed that the data shown in this PDF Document is generated from our Online Catalog. Please find the complete data in the user's documentation. Our General Terms of Use for Downloads are valid (<http://phoenixcontact.com/download>)



Empty enclosure for mounting on a DIN rail, light gray (7035), width: 45.1 mm, height: 77 mm, depth: 107.2 mm, incl. 2 PCB terminal blocks, 8-pos., screw connection, for 2.5 mm<sup>2</sup>, nominal current: 24 A, 400 V, PCB surface: 14880 mm<sup>2</sup>



## Key Commercial Data

Packing unit	1 pc
GTIN	
GTIN	4063151584863
Custom tariff number	85369010

## Technical data

### Item properties

Brief article description	Housing set
Type	EH 45-KIT-B+CDS/ABS-PC-7035 + 2MKDS38
Item no.	1311036
Housing type	DIN rail housing
Housing series	EH
Range of articles	EH 45
Type	Lower housing part with base latch, tall design
Max. IP code to attain	IP20
Mounting type	DIN rail mounting
Connection levels	1 (Both sides)
Ventilation openings present	yes
Number of positions	16 (pitch: 3.08 mm)

### Dimensions

Caption	Schematic figure for illustrating the item dimensions. The figure is not of the desired product. For further details, refer to the product drawings in the "Downloads" tab.
---------	---

# Housing set - EH 45-KIT-B+CDS/ABS-PC-7035 + 2MKDS38 - 1311036

## Technical data

### Dimensions

Width [ w ]	45.1 mm
Height [ h ]	77 mm
Depth [ d ]	107.2 mm
Depth from top edge of DIN rail [ d ]	102.9 mm
Dimensions	69.8 mm x 66 mm (PCB dimensions)

### PCB data

Number of PCB holders	1
PCB thickness	1.4 mm ... 1.8 mm
Mounting position	parallel to the DIN rail
PCB surface, maximum	4600 mm <sup>2</sup>
Type of PCB mount	Latching

### Material specifications - lower housing part

Material	ABS-PC
Color (RAL)	light gray (7035)
Flammability rating according to UL 94	V0

### Material specifications - upper housing part

Material	ABS-PC
Color (RAL)	light gray (7035)
Flammability rating according to UL 94	V0

### Ambient conditions

Ambient temperature (storage/transport)	-40 °C ... 55 °C
Ambient temperature (assembly)	-5 °C ... 80 °C
Ambient temperature (operation)	-40 °C ... 80 °C (depending on power dissipation)
Relative humidity (storage/transport)	95 %

### General information

Type of note	Assembly instruction:
Note	Please observe the assembly instructions available in the download area.

### Packaging information

Type of packaging	packed in cardboard
Pieces per package	1
Denomination packing units	Pcs.
Outer packaging type	Carton

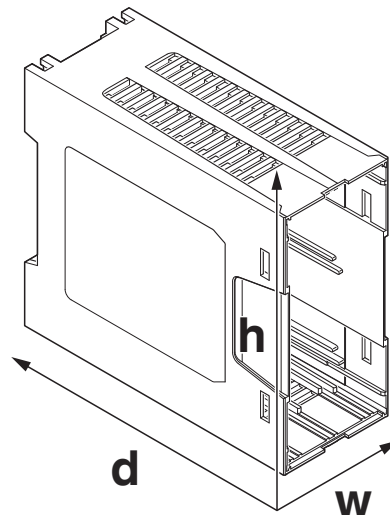
### Standards and regulations

Flammability rating according to UL 94	V0
--	----

## Drawings

## Housing set - EH 45-KIT-B+CDS/ABS-PC-7035 + 2MKDS38 - 1311036

Dimensional drawing



Schematic figure for illustrating the item dimensions. The figure is not of the desired product. For further details, refer to the product drawings in the "Downloads" tab.

### Articles in set

PCB terminal block - MKDS 3/ 8-5,08 - 1712708



PCB terminal block, nominal current: 24 A, rated voltage (III/2): 400 V, nominal cross section: 2.5 mm<sup>2</sup>, number of potentials: 8, Number of rows: 1, Number of positions per row: 8, product range: MKDS 3, pitch: 5.08 mm, connection method: Screw connection with tension sleeve, screw head form: L Slotted, mounting: Wave soldering, conductor/PCB connection direction: 0 °, color: green, Pin layout: Linear pinning, Solder pin [P]: 5 mm, type of packaging: packed in cardboard. The article can be aligned to create different nos. of positions!

### Classifications

eCl@ss

eCl@ss 10.0.1	27182702
eCl@ss 11.0	27182702
eCl@ss 9.0	27182702