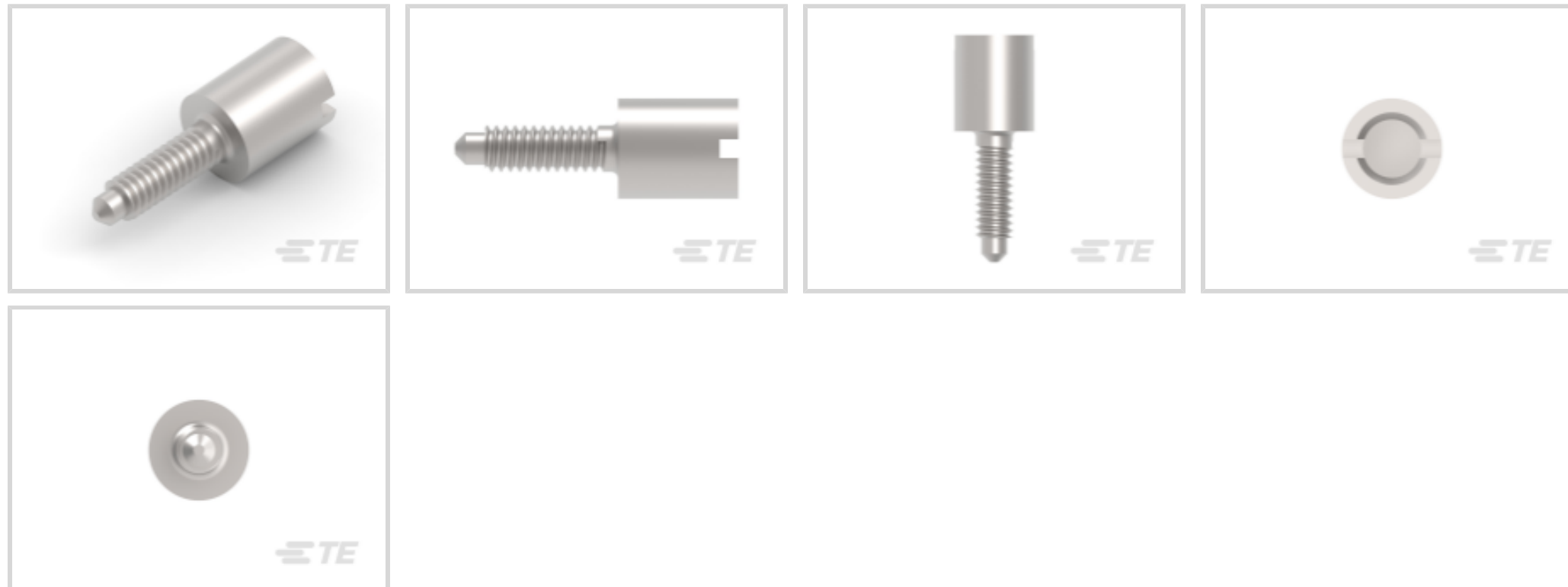




Connectors > Modular Jacks & Plugs > Modular Jack & Plug Accessories > Modular Jack & Plug Screwlocks



Features

Product Type Features

| | |
|--|-----------|
| Connector & Contact Retention Accessory Type | Screwlock |
|--|-----------|

Packaging Features

| | |
|--------------------|-----|
| Packaging Quantity | 960 |
| Packaging Method | Bag |

Other

| | |
|-------------------------------|---|
| Modular Jacks & Plugs Comment | M2 x .4 Male Thread Size/M3 x .5 Female Thread Size, Panel Thickness Range Less Than And 1.00mm [.039 inches] |
|-------------------------------|---|

Product Compliance

[For compliance documentation, visit the product page on TE.com>](#)

| | |
|---|--|
| EU RoHS Directive 2011/65/EU | Compliant |
| EU ELV Directive 2000/53/EC | Not Yet Reviewed |
| China RoHS 2 Directive MIIT Order No 32, 2016 | No Restricted Materials Above Threshold |
| EU REACH Regulation (EC) No. 1907/2006 | Current ECHA Candidate List: JAN 2023 (233) Candidate List Declared Against: JUNE 2022 (224) Does not contain REACH SVHC |
| Halogen Content | Low Halogen - Br, Cl, F, I < 900 ppm per homogenous material. Also BFR/CFR/PVC Free |

Solder Process Capability

Not applicable for solder process capability

Product Compliance Disclaimer

This information is provided based on reasonable inquiry of our suppliers and represents our current actual knowledge based on the information they provided. This information is subject to change. The part numbers that TE has identified as EU RoHS compliant have a maximum concentration of 0.1% by weight in homogenous materials for lead, hexavalent chromium, mercury, PBB, PBDE, DBP, BBP, DEHP, DIBP, and 0.01% for cadmium, or qualify for an exemption to these limits as defined in the Annexes of Directive 2011/65/EU (RoHS2). Finished electrical and electronic equipment products will be CE marked as required by Directive 2011/65/EU. Components may not be CE marked. Additionally, the part numbers that TE has identified as EU ELV compliant have a maximum concentration of 0.1% by weight in homogenous materials for lead, hexavalent chromium, and mercury, and 0.01% for cadmium, or qualify for an exemption to these limits as defined in the Annexes of Directive 2000/53/EC (ELV). Regarding the REACH Regulation, the information TE provides on SVHC in articles for this part number is based on the latest European Chemicals Agency (ECHA) 'Guidance on requirements for substances in articles' posted at this URL: <https://echa.europa.eu/guidance-documents/guidance-on-reach>

Compatible Parts




TE Part # 1339381-2
MRJ21 SCREWLOCK,RECPT



TE Part # 1339381-3
MRJ21 SCREWLOCK,RECPT 100 PC BAG



TE Part # 1339381-4
SCREWLOCK,RECPT,MINI-RJ21, 100 PC BAG



TE Part # 1339381-6
MRJ21 SCREWLOCK,RECPT,BULK PKG,SHORT

Customers Also Bought



TE Part #DT06-2S
PLG, 2P, GRY, N



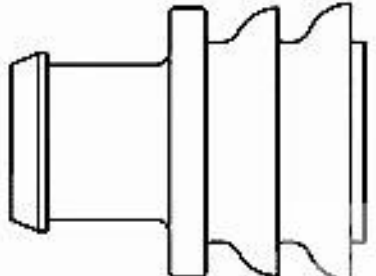
TE Part #W2S
Wedgelocks: DEUTSCH DT



TE Part #0462-201-16141
DEUTSCH Solid Contacts



TE Part #282104-1
AMP SUPERSEAL 1.5MM, CONNECTOR HOUSING



TE Part #281934-2
SINGLE WIRE SEAL



TE Part #DT04-2P
REC, 2P, GRY, N



TE Part #114017-ZZ
SEALING PLUG, SIZE 12/16, WHT

Documents

[Product Drawings](#)
[MRJ21 SCREWLOCK,RECPT](#)



English

CAD Files

3D PDF

3D

Customer View Model

[ENG_CVM_CVM_1339381-1_F.2d_dxf.zip](#)

English

Customer View Model

[ENG_CVM_CVM_1339381-1_F.3d_igs.zip](#)

English

Customer View Model

[ENG_CVM_CVM_1339381-1_F.3d_stp.zip](#)

English

By downloading the CAD file I accept and agree to the [Terms and Conditions](#) of use.

Datasheets & Catalog Pages

[Solutions for AdvancedTCA, AdvancedTCA 300, MicroTCA, and AdvancedMC Standards Datasheet 3-1773445-8](#)

English