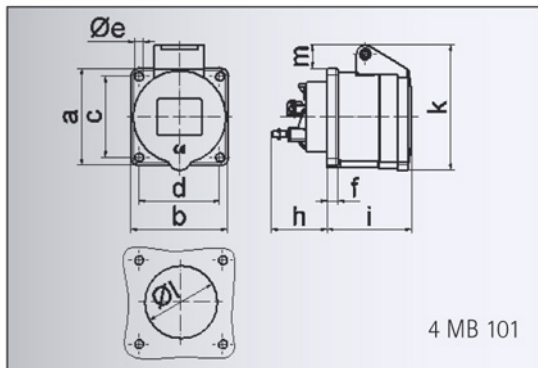


Data sheet

Order number: 13686

panel mounting socket outlet Quick-Connect, straight

Ampere	16A
Poles	3p (2P+PE)
Orientation	6 h
Voltage	200 up to 250V
Frequency	50 and 60Hz
Protection	IP44
Color Code	RAL 5010 blue (Hinged Cover)
Connection Design	screwless spring terminals as cage clamp with Kontext-contact button
Contact carrier	made of Polyamide contacts are brass
Material of enclosure	Housing material PA6(GB+GF)30 RAL 7035



Ampere	16	16
Polzahl	3	4
a	56,0	60,0
b	56,0	60,0
c	44,0	50 - 52
d	44,0	50 - 52
e ø	4,4	5,5
f	7,0	7,0
h	35,5	35,5
i	51,0	53,0
k	70,0	80,0
l ø	45,0	45,0
m	13,0	9,0
Leiter mm ² min	1,5	1,5
Leiter mm ² max	4	4