

Data sheet

**M12 Industrial Ethernet cable, X-coded, 5.0 m,
M12 jack straight - RJ45 plug straight, PUR**

Page 1/4

P/N

142M2X25050

EAN 4251122182976

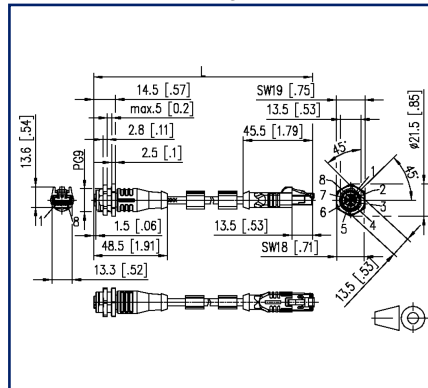
2023/05/10

Version: AG

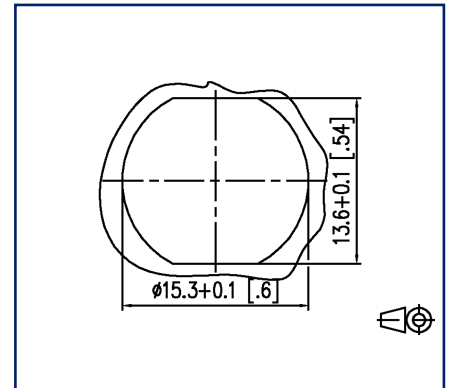
Illustrations



Dimensional drawing



Cut-out



See enlarged drawings at the end of document

Product specification

Shielded PUR cable for safe and industrial data transmission in automation and fieldbus technology. The cable meets the requirements of ULStyle 20963 and complies with Cat7 (electrical properties based on EN50288-4-2). Materials and design allow increased mechanical stress (abrasion, bending, vibration, etc.) of the cable. Special properties: UL style 20963, seawater resistant, recyclable, LABS free, RoHs compliant, acid and alkali resistant, UV resistant, hydrolysis resistant, halogen free, oil resistant, high flexibility, no corrosive gases, microbe resistant, no fire propagation.

- Standard variants: 1.0 m, 2.0 m, 5.0 m, 10.0 m.
- Other cable lengths on request.



P | Cabling

Data sheet

Page 2/4

**M12 Industrial Ethernet cable, X-coded, 5.0 m,
M12 jack straight - RJ45 plug straight, PUR**

P/N

142M2X25050

EAN 4251122182976

2023/05/10

Version: AG

Technical Data

P | Cabling

Data sheet

Page 3/4

**M12 Industrial Ethernet cable, X-coded, 5.0 m,
M12 jack straight - RJ45 plug straight, PUR**

P/N
142M2X25050

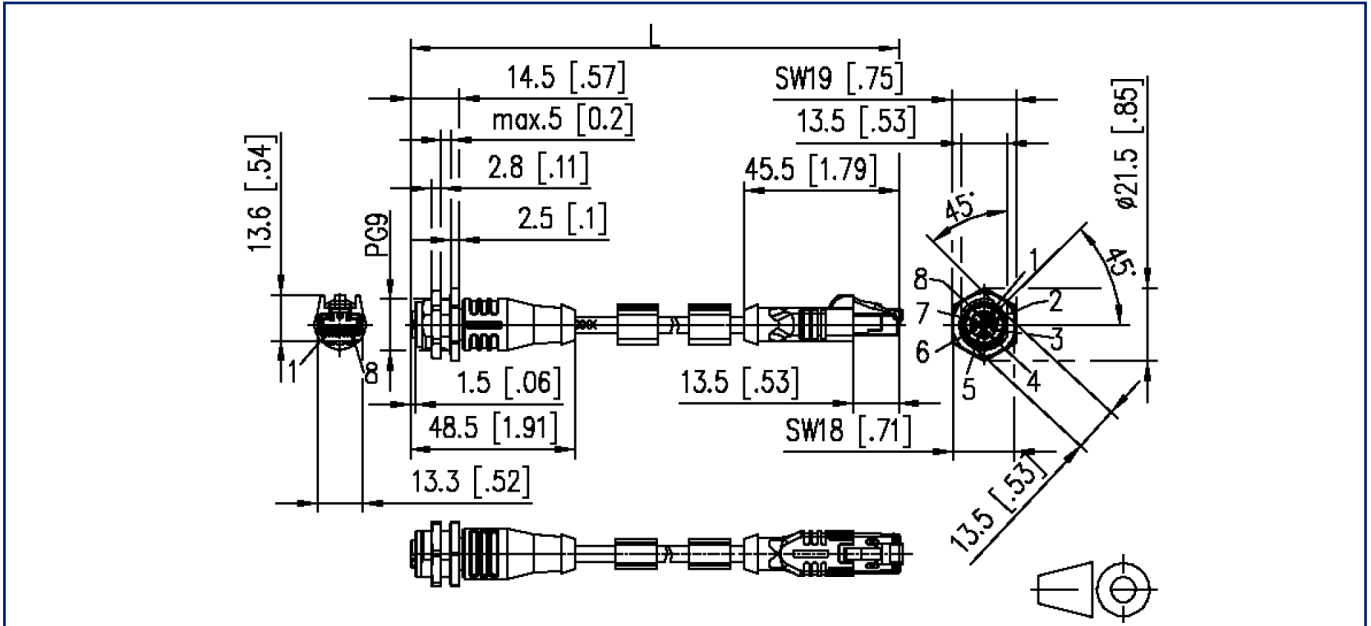
EAN 4251122182976

2023/05/10

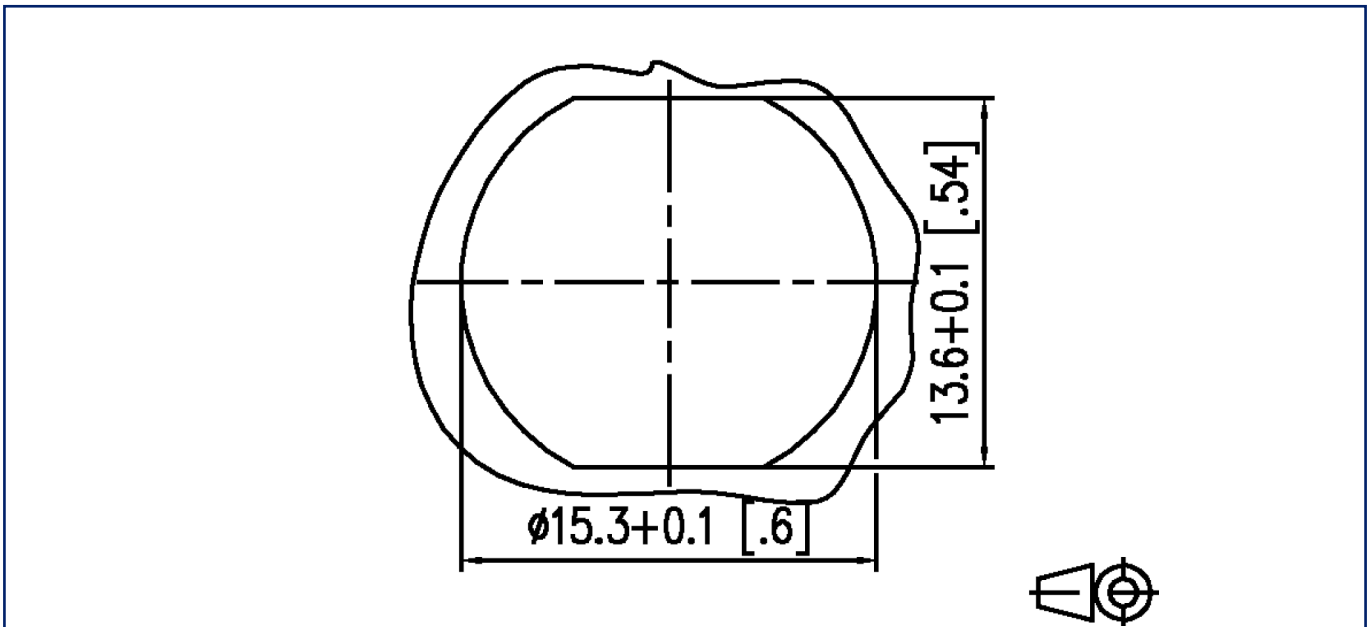
Version: AG

Illustrations

Dimensional drawing



Cut-out



P | Cabling

Data sheet

Page 4/4

**M12 Industrial Ethernet cable, X-coded, 5.0 m,
M12 jack straight - RJ45 plug straight, PUR**

P/N
142M2X25050

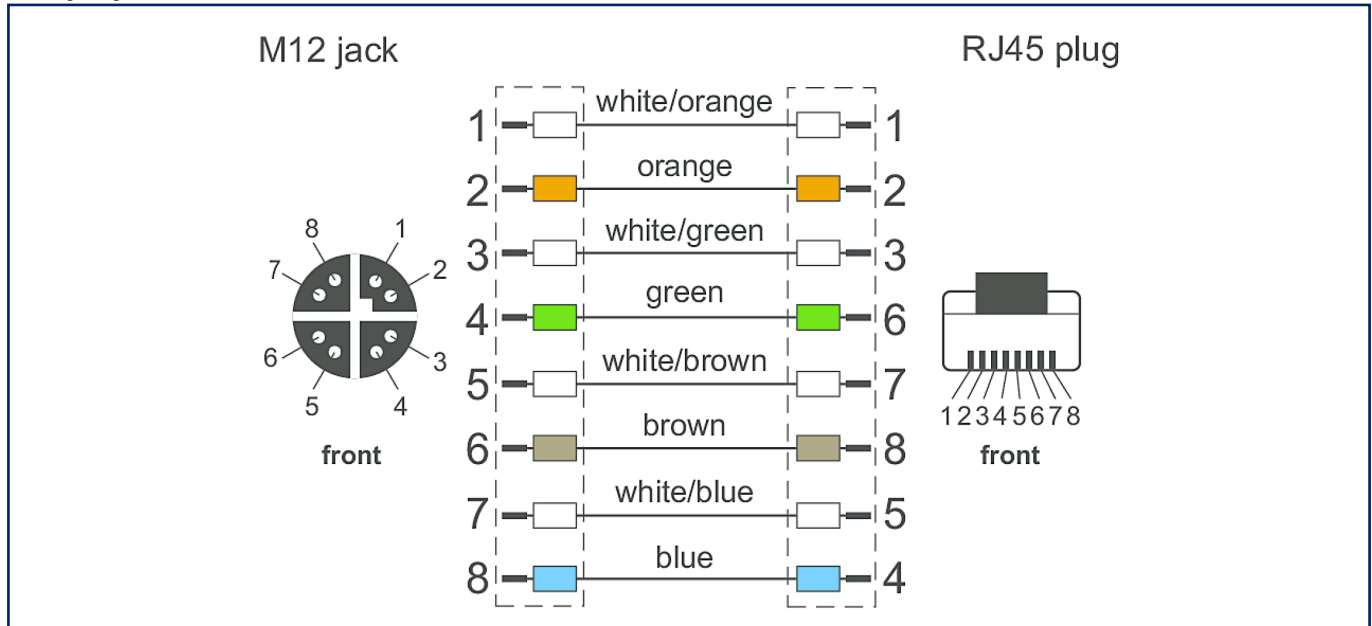
EAN 4251122182976

2023/05/10

Version: AG

Illustrations

Wiring diagram



Principle diagram

