

1445420-2 ✓ ACTIVE

AMP | AMP CPC

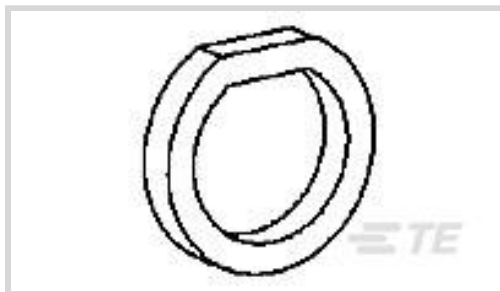
TE Internal #: 1445420-2

Circular Connector Seals, Flange Seal, Panel Mount, -67 – 221 °F
[-55 – 105 °C], AMP CPC

[View on TE.com >](#)



Connectors > Circular Connectors > Circular Connector Accessories > Circular Connector Seals



Connector Seal Type: **Flange Seal**

Connector Mounting Type: **Panel Mount**

Operating Temperature Range: **-55 – 105 °C [-67 – 221 °F]**

Features

Product Type Features

Connector Seal Type	Flange Seal
---------------------	-------------

Body Features

Color	Black
-------	-------

Mechanical Attachment

Connector Mounting Type	Panel Mount
-------------------------	-------------

Usage Conditions

Operating Temperature Range	-55 – 105 °C[-67 – 221 °F]
-----------------------------	----------------------------

Packaging Features

Packaging Quantity	100
Packaging Method	Bag

Other

Comment	Mini-CPC shell size 11
---------	------------------------

Product Compliance

[For compliance documentation, visit the product page on TE.com>](#)

EU RoHS Directive 2011/65/EU	Compliant
EU ELV Directive 2000/53/EC	Compliant
China RoHS 2 Directive MIIT Order No 32, 2016	No Restricted Materials Above Threshold
EU REACH Regulation (EC) No. 1907/2006	Current ECHA Candidate List: JUNE 2022 (224)



Candidate List Declared Against: JUNE 2022 (224)
Does not contain REACH SVHC

Halogen Content	Not Low Halogen - contains Br or Cl > 900 ppm.
Solder Process Capability	Not reviewed for solder process capability

Product Compliance Disclaimer


This information is provided based on reasonable inquiry of our suppliers and represents our current actual knowledge based on the information they provided. This information is subject to change. The part numbers that TE has identified as EU RoHS compliant have a maximum concentration of 0.1% by weight in homogenous materials for lead, hexavalent chromium, mercury, PBB, PBDE, DBP, BBP, DEHP, DIBP, and 0.01% for cadmium, or qualify for an exemption to these limits as defined in the Annexes of Directive 2011/65/EU (RoHS2). Finished electrical and electronic equipment products will be CE marked as required by Directive 2011/65/EU. Components may not be CE marked. Additionally, the part numbers that TE has identified as EU ELV compliant have a maximum concentration of 0.1% by weight in homogenous materials for lead, hexavalent chromium, and mercury, and 0.01% for cadmium, or qualify for an exemption to these limits as defined in the Annexes of Directive 2000/53/EC (ELV). Regarding the REACH Regulation, the information TE provides on SVHC in articles for this part number is based on the latest European Chemicals Agency (ECHA) 'Guidance on requirements for substances in articles' posted at this URL: <https://echa.europa.eu/guidance-documents/guidance-on-reach>

Compatible Parts




TE Part # CAT-AM71-C83998EE
MINI CPC


Also in the Series | AMP CPC




Circular Connector Adapters(7)



Circular Connector Boots & Strain Relief(6)



Circular Connector Caps & Covers(16)



Circular Connector Hardware(3)



Circular Connector Keying Plugs(2)



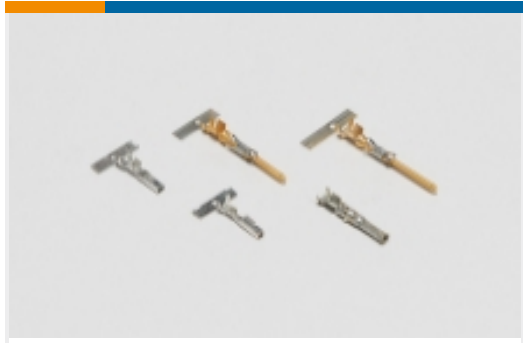
Circular Connector Seals(36)



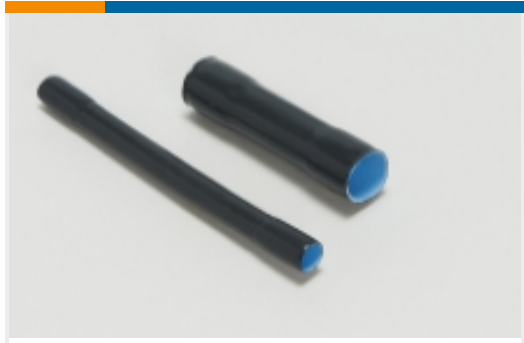
Circular Power Connectors(516)



Insertion & Extraction Tools(1)



Power Contacts(6)



Sealing Sleeves(2)

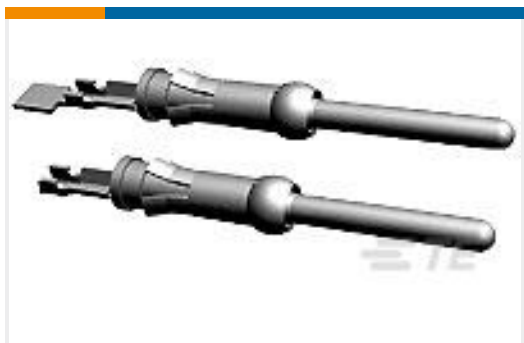


Unscreened Circular Connector Backshells & Clamps(56)

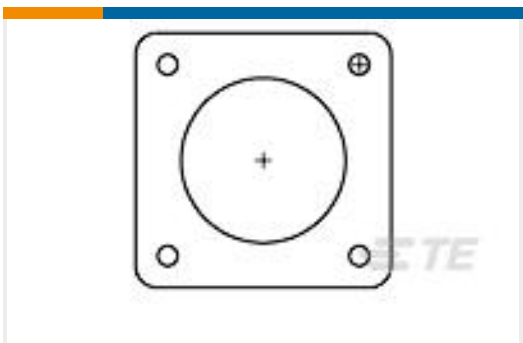
Customers Also Bought



TE Part #206061-1
RECPT, SZ 11-4, CPC



TE Part #66602-2
III+ PIN,18-14,30AU/FL,LP



TE Part #81665-3
ECONOSEAL, FLANGE GASKET



TE Part #2-1676913-6
YR1 0.1% 1K0



TE Part #1-770985-0
MINI UMNL PIN 26-22AWG AU LP



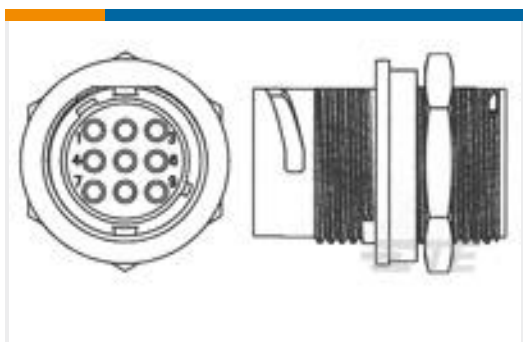
TE Part #1734248-4
1.0 FPC, ZIF V/T, SMT, 4P



TE Part #1393771-7
JWD-171-10=REED RELAYS



TE Part #2-2176397-4
3502 9R1 1%



TE Part #1445816-1
RECPT,11-9,FLNG MT,STD KEY



TE Part #6609048-7
6EQ8 M0=F7264

Documents



Product Drawings

[SEAL,FLANGE,SIZE 11](#)

English

CAD Files

Customer View Model

[ENG_CVM_1445420-2_C.3d_igs.zip](#)

English

Customer View Model

[ENG_CVM_1445420-2_C.3d_stp.zip](#)

English

Customer View Model

[ENG_CVM_1445420-2_C.2d_dxf.zip](#)

English

[3D PDF](#)

English

By downloading the CAD file I accept and agree to the [Terms and Conditions](#) of use.

Datasheets & Catalog Pages

[1-1773902-9_CPC_Catalog](#)

German

[1-1773902-9_CPC_Catalog](#)

English

[1-1773902-9_CPC_Catalog](#)

[1-1773902-9_CPC_Catalog](#)

Japanese

[AMP Circular Connectors for Commercial Signal & Power Applications Continued](#)

English

Product Specifications

[Application Specification](#)

English