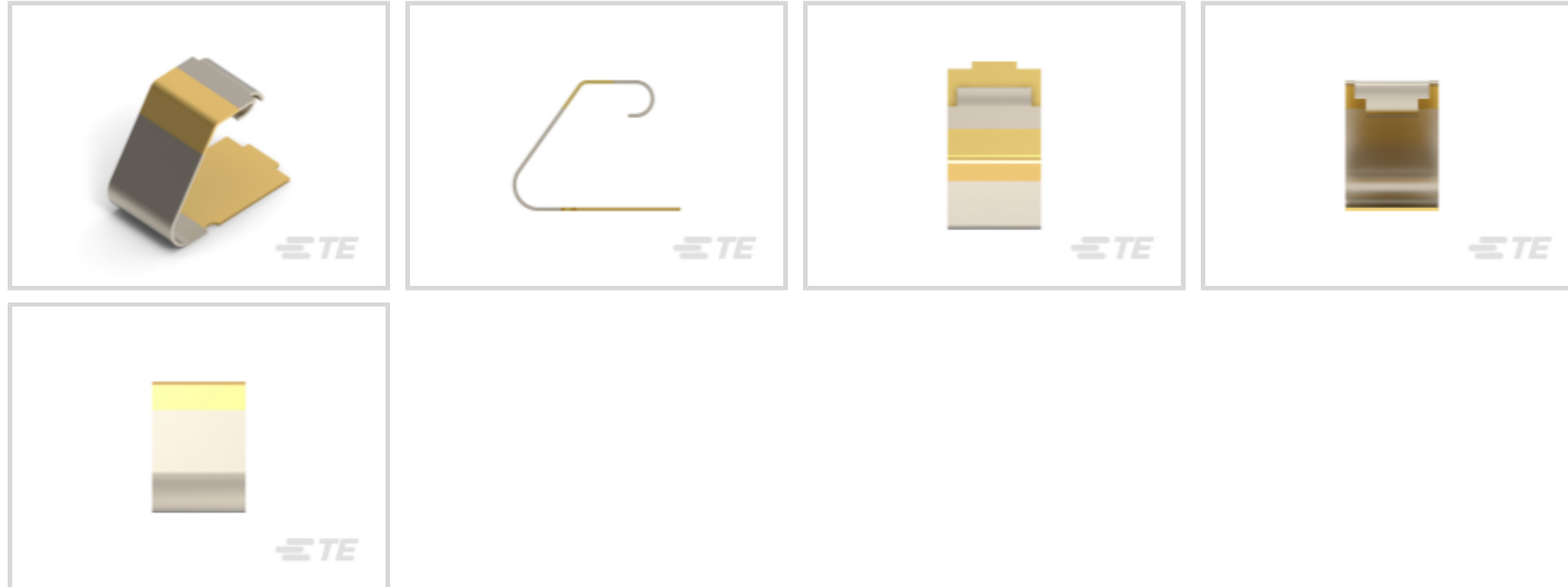




Connectors > PCB Connectors > Board-to-Board Connectors > PCB Spring Contacts



Spring Finger Type: **C-Clip**

Scalable: **No**

Side Protected: **No**

Uncompressed Height: **3.5 mm [.138 in]**

Contact Length: **4.5 mm [.177 in]**

Features

Product Type Features

| | |
|-----------------------------------|-----------------------|
| Spring Finger Type | C-Clip |
| Scalable | No |
| Connector System | Board-to-Board |
| Sealable | No |
| Connector & Contact Terminates To | Printed Circuit Board |

Configuration Features

| | |
|---------------------|----|
| Side Protected | No |
| Number of Positions | 1 |

Contact Features

| | |
|---|------------------|
| Contact Underplating Material | Nickel |
| PCB Contact Termination Area Plating Material | Gold |
| Contact Base Material | Copper Alloy |
| Contact Length | 4.5 mm [.177 in] |
| Contact Width | 2.5 mm [.098 in] |
| Contact Working Range (Low) | 2.5 mm [.098 in] |



| | |
|------------------------------|----------------|
| Contact Working Range (High) | 3 mm [.118 in] |
|------------------------------|----------------|

| | |
|--|------|
| Point of Contact Area Plating Material | Gold |
|--|------|

| | |
|------------------------------|-------|
| Contact Current Rating (Max) | 1.5 A |
|------------------------------|-------|

Dimensions

| | |
|---------------------|------------------|
| Uncompressed Height | 3.5 mm [.138 in] |
|---------------------|------------------|

Usage Conditions

| | |
|-----------------------------|----------------------------|
| Operating Temperature Range | -40 – 85 °C [-40 – 185 °F] |
|-----------------------------|----------------------------|

Operation/Application

| | |
|---------------------|--------|
| Circuit Application | Signal |
|---------------------|--------|

Packaging Features

| | |
|--------------------|------|
| Packaging Quantity | 2000 |
|--------------------|------|

| | |
|------------------|-------------|
| Packaging Method | Tape & Reel |
|------------------|-------------|

Product Compliance

[For compliance documentation, visit the product page on TE.com>](#)

| | |
|------------------------------|-----------|
| EU RoHS Directive 2011/65/EU | Compliant |
|------------------------------|-----------|

| | |
|-----------------------------|-----------|
| EU ELV Directive 2000/53/EC | Compliant |
|-----------------------------|-----------|

| | |
|---|---|
| China RoHS 2 Directive MIIT Order No 32, 2016 | No Restricted Materials Above Threshold |
|---|---|

| | |
|--|---|
| EU REACH Regulation (EC) No. 1907/2006 | Current ECHA Candidate List: JAN 2022 (223) Candidate List Declared Against: JAN 2022 (223) Does not contain REACH SVHC |
|--|---|

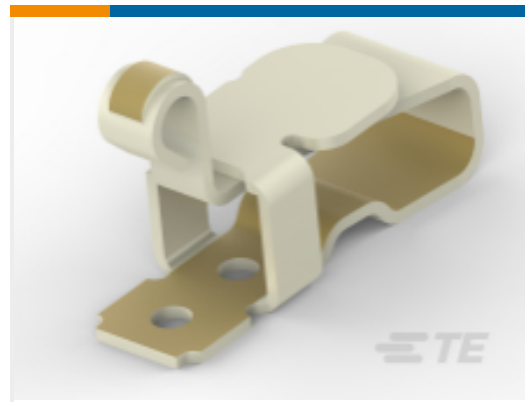
| | |
|-----------------|---|
| Halogen Content | Low Halogen - Br, Cl, F, I < 900 ppm per homogenous material. Also BFR/CFR/PVC Free |
|-----------------|---|

| | |
|---------------------------|--------------------------------|
| Solder Process Capability | Reflow solder capable to 260°C |
|---------------------------|--------------------------------|

Product Compliance Disclaimer

This information is provided based on reasonable inquiry of our suppliers and represents our current actual knowledge based on the information they provided. This information is subject to change. The part numbers that TE has identified as EU RoHS compliant have a maximum concentration of 0.1% by weight in homogenous materials for lead, hexavalent chromium, mercury, PBB, PBDE, DBP, BBP, DEHP, DIBP, and 0.01% for cadmium, or qualify for an exemption to these limits as defined in the Annexes of Directive 2011/65/EU (RoHS2). Finished electrical and electronic equipment products will be CE marked as required by Directive 2011/65/EU. Components may not be CE marked. Additionally, the part numbers that TE has identified as EU ELV compliant have a maximum concentration of 0.1% by weight in homogenous materials for lead, hexavalent chromium, and mercury, and 0.01% for cadmium, or qualify for an exemption to these limits as defined in the Annexes of Directive 2000/53/EC (ELV). Regarding the REACH Regulation, the information TE provides on SVHC in articles for this part number is based on the latest European Chemicals Agency (ECHA) 'Guidance on requirements for substances in articles' posted at this URL: <https://echa.europa.eu/guidance-documents/guidance-on-reach>

Compatible Parts



TE Part # CAT-SP82102-C7671
SPRING FINGERS



TE Part # 1775862-2
mSATA/mini PCI-E 5.2H Type I G/F



TE Part # 2041262-1
Mini PCI-E 6.8H G/F



TE Part # 2041549-1
SOCKET ASSY, DMD 350, T/R, G/F



TE Part # 1759546-1
0.8mm Mini PCI-Express 9.9 Height



TE Part # 1759513-1
0.8MM MINI PCI EXPRESS
CONNECTOR 9H



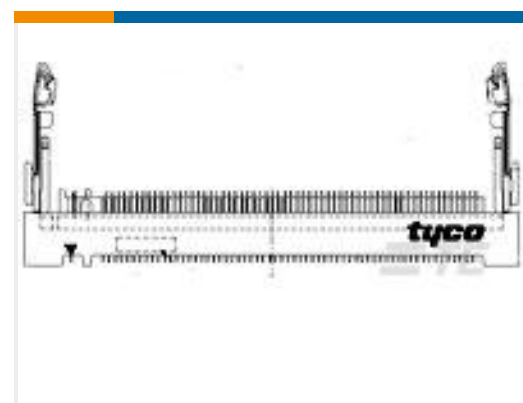
TE Part # 1717831-1
MINI PCI EXPRESS SEMI HARD TRAY
CONN



TE Part # 1759503-1
mini PCI-E 8H Type I PKG G/F



TE Part # 1775838-2
mSATA/mini PCI-E 5.6H Type I G/F



TE Part # 1717831-2
MINI PCI EXPRESS EMBOSS TAPE
CONN

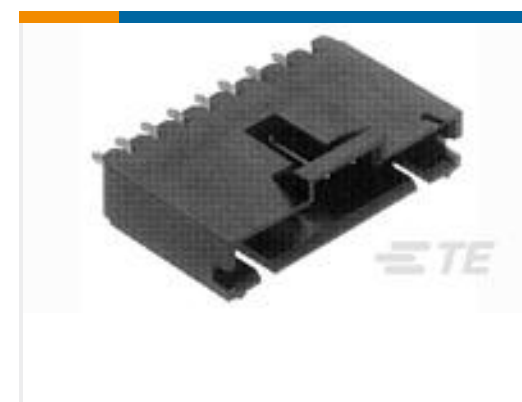
Customers Also Bought



TE Part #1447009-7
SHIELD FINGER 3525



TE Part #2-1445100-3
MICRO MNL HDR ASSY S/ROW LF



TE Part #5-103639-3
04 MTE HDR SRST LATCH .100CL



TE Part #2-1445091-4
MICRO MNL HDR ASSY S/ROW AU LF



Documents

Product Drawings

SHIELD FINGER 3525Z

English

CAD Files

3D PDF

3D

Customer View Model

[ENG_CVM_CVM_1447009-8_99.2d_dxf.zip](#)

English

Customer View Model

[ENG_CVM_CVM_1447009-8_99.3d_igs.zip](#)

English

Customer View Model

[ENG_CVM_CVM_1447009-8_99.3d_stp.zip](#)

English

By downloading the CAD file I accept and agree to the [Terms and Conditions](#) of use.

Datasheets & Catalog Pages

Products for Mobile Equipment

English

Spring Fingers Quick Reference Guide

English

Product Specifications

SHIELD FINGER 3525/3525-Z

English

1447009-8

PCB Spring Contact, C-Clip, Uncompressed Height 3.5 mm [.138 in], Length .177 in [4.5 mm], Width 2.5 mm [.098 in]



Product Specification

English