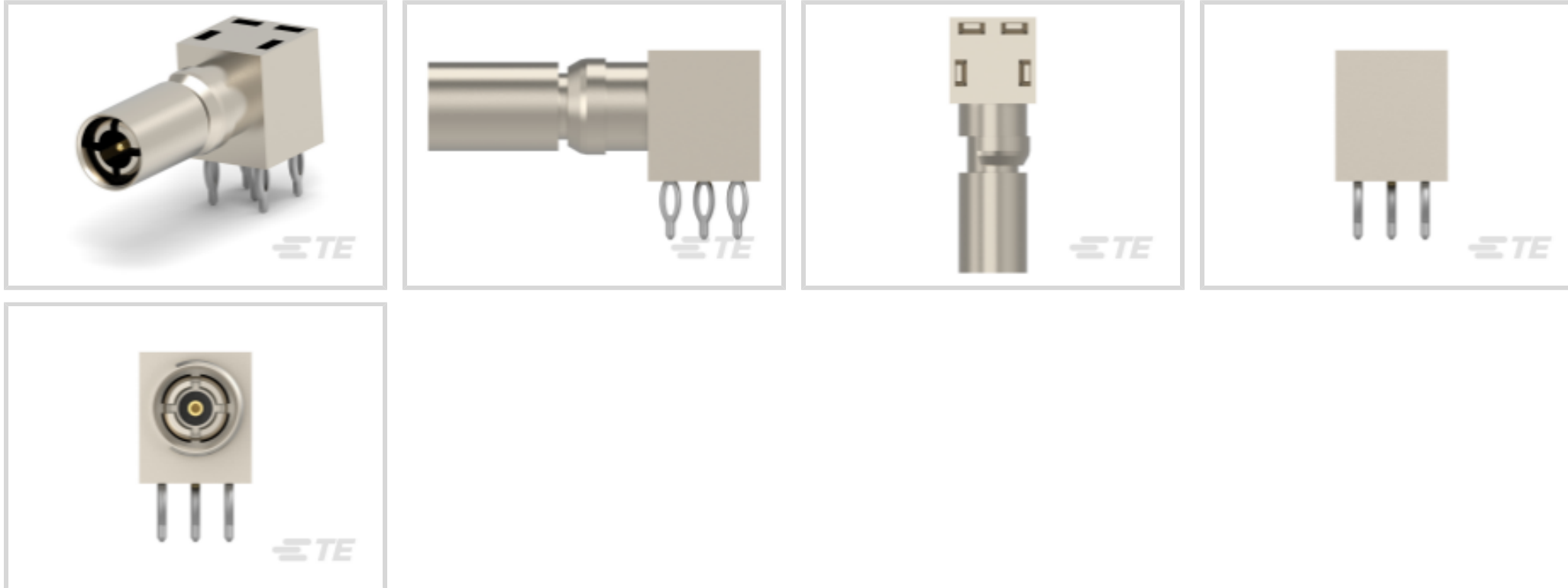




Connectors > RF Coax Connectors > Coax Contacts



Connector System: **Cable-to-Board**

Sealable: **No**

Connector & Contact Terminates To: **Printed Circuit Board**

PCB Mount Orientation: **Right Angle**

Contact Type: **Pin**

Features

Product Type Features

Connector Type	Standard DIN
Product Type	Contact
Connector System	Cable-to-Board
Sealable	No
Connector & Contact Terminates To	Printed Circuit Board
Compatible With RF Cable Type	RG 142, RG 316

Configuration Features

PCB Mount Orientation	Right Angle
-----------------------	-------------

Electrical Characteristics

Impedance	50 Ω
-----------	-------------

Body Features

Outer Shell Material	Brass
Outer Shell Plating Material	Gold
Post Plating Material	Tin-Lead
Body Angle	Right Angle

Contact Features

PCB Contact Termination Area Plating Material	Tin
RF Connector Center Contact Material	Beryllium Copper
Contact Type	Pin
RF Connector Center Contact Plating Material	Gold
Contact Mating Retention	With

Termination Features

Termination Method to Printed Circuit Board	Through Hole - Press-Fit
---	--------------------------

Mechanical Attachment

Connector Mounting Type	Board Mount
-------------------------	-------------

Dimensions

PCB Height	7 mm[.276 in]
------------	---------------

Usage Conditions

Operating Temperature Range	-55 – 125 °C[-67 – 257 °F]
-----------------------------	----------------------------

Operation/Application

Circuit Application	Power & Signal
---------------------	----------------

Packaging Features

Packaging Method	Loose Piece
------------------	-------------

Other

Dielectric Material	Polymethylpentene
---------------------	-------------------

Product Compliance

[For compliance documentation, visit the product page on TE.com>](#)

EU RoHS Directive 2011/65/EU	Not Compliant
EU ELV Directive 2000/53/EC	Not Compliant
China RoHS 2 Directive MIIT Order No 32, 2016	Restricted Materials Above Threshold
EU REACH Regulation (EC) No. 1907/2006	<p>Current ECHA Candidate List: JUNE 2022 (224)</p> <p>Candidate List Declared Against: JUL 2021 (219)</p> <p>SVHC > Threshold:</p> <p>Pb (13% in Component Part)</p> <p>Article Safe Usage Statements: Do not eat, drink or smoke when using this product. Wash thoroughly after handling. Recycle if possible and dispose of the article by following all applicable governmental regulations relevant to your geographic location.</p>

Halogen Content

Low Halogen - Br, Cl, F, I < 900 ppm per homogenous material. Also BFR/CFR/PVC Free

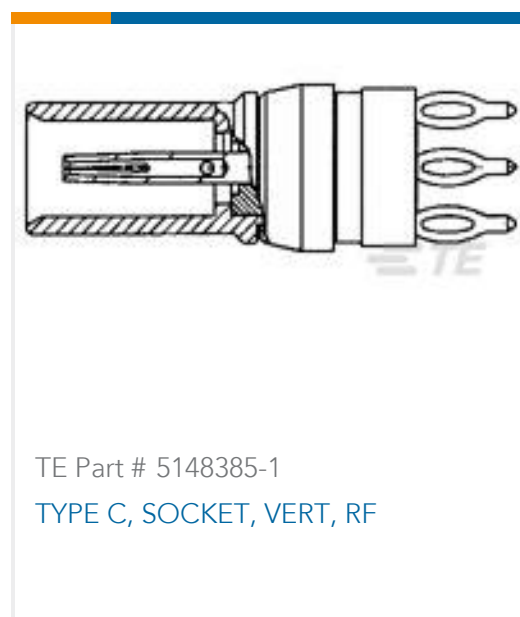
Solder Process Capability

Not applicable for solder process capability

Product Compliance Disclaimer

This information is provided based on reasonable inquiry of our suppliers and represents our current actual knowledge based on the information they provided. This information is subject to change. The part numbers that TE has identified as EU RoHS compliant have a maximum concentration of 0.1% by weight in homogenous materials for lead, hexavalent chromium, mercury, PBB, PBDE, DBP, BBP, DEHP, DIBP, and 0.01% for cadmium, or qualify for an exemption to these limits as defined in the Annexes of Directive 2011/65/EU (RoHS2). Finished electrical and electronic equipment products will be CE marked as required by Directive 2011/65/EU. Components may not be CE marked. Additionally, the part numbers that TE has identified as EU ELV compliant have a maximum concentration of 0.1% by weight in homogenous materials for lead, hexavalent chromium, and mercury, and 0.01% for cadmium, or qualify for an exemption to these limits as defined in the Annexes of Directive 2000/53/EC (ELV). Regarding the REACH Regulation, the information TE provides on SVHC in articles for this part number is based on the latest European Chemicals Agency (ECHA) 'Guidance on requirements for substances in articles' posted at this URL: <https://echa.europa.eu/guidance-documents/guidance-on-reach>

Compatible Parts



Documents

Product Drawings

TYPE C,PIN ASSY.RTANG, RF

English

CAD Files

3D PDF

3D

Customer View Model

[ENG_CVM_CVM_148386-1_G.2d_dxf.zip](#)

English

Customer View Model

[ENG_CVM_CVM_148386-1_G.3d_igs.zip](#)

English

Customer View Model

[ENG_CVM_CVM_148386-1_G.3d_stp.zip](#)

English

By downloading the CAD file I accept and agree to the [Terms and Conditions](#) of use.



Datasheets & Catalog Pages

[1307191 RF Coax Products Catalog](#)

English

Product Specifications

[Application Specification](#)

English