

15

1502 07

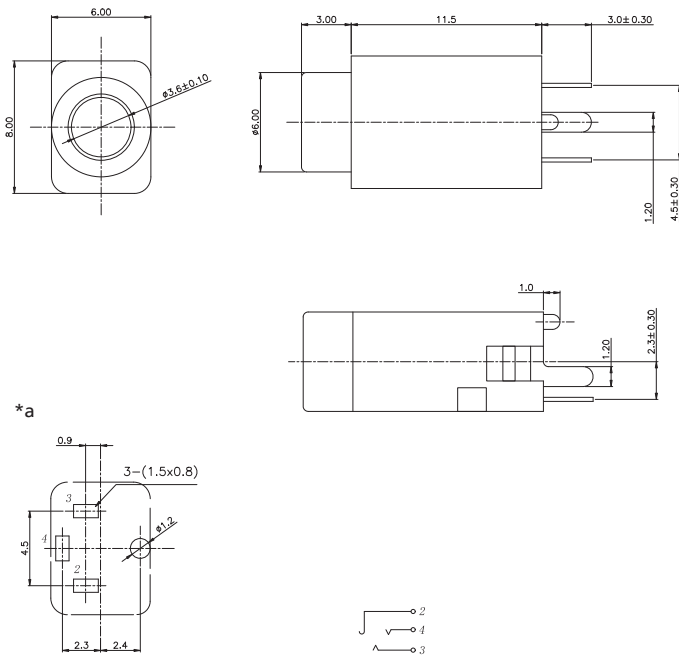
Jack connectors



Jack chassis socket acc. to JIS C 6560 JC35J3A, 3.5 mm, 3 poles/stereo, upright version, for printed circuit boards

15

1502 07



*a printed circuit board layout, components side view

Environmental conditions

Temperature range -20 °C/+70 °C

Materials

Insulating body PBT, V-0 according to UL94
Contact spring CuSn, silver-plated

Mechanical data

Mating cycles 5000
Insertion force 3–30 N¹
Withdrawal force 3–30 N¹

¹ measured with a gauge plug

Electrical data (at T_{amb} 20 °C)

Contact resistance ≤ 30 mΩ
Rated current 1 A
Rated voltage 12 V
Rated impulse voltage 500 V/60 s
Insulation resistance ≥ 100 MΩ

Associated products

Counterparts
[1532 07](#) [KLS 40](#) [KLS 44](#)
[WKLS 40](#)

15

1502 07

Designation	Pole Number	PU (Pieces)	MDQ (Pieces)
1502 07	3	500	500

Packaging:

in bulk, in a cardboard box or a plastic bag