

15

1503 29

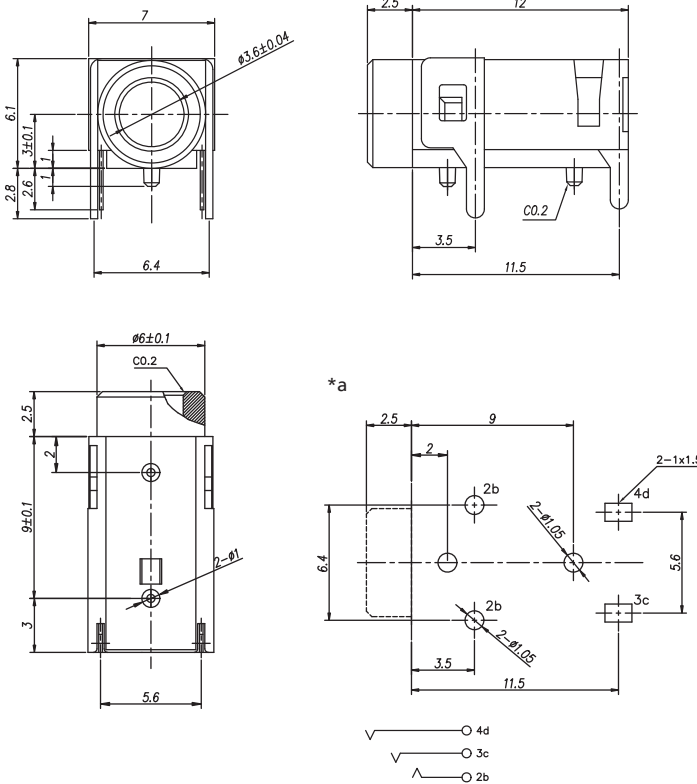
Jack connectors



Jack chassis socket acc. to JIS C 6560 JC35J3A, 3.5 mm, 3 poles/stereo, angular version, for printed circuit boards

15

1503 29



*a printed circuit board layout, solder side view

Environmental conditions

Temperature range -20 °C/+70 °C

Materials

Insulating body PBT GF, V-0 according to UL94
Contact spring CuSn/CuZn, silver-plated





Mechanical data

Mating cycles 5000
Insertion force 5–20 N
Withdrawal force 4–20 N

Electrical data (at T_{amb} 20 °C)

Contact resistance ≤ 50 mΩ
Rated current 1 A
Rated voltage 34 V
Rated impulse voltage 500 V/60 s
Insulation resistance ≥ 100 MΩ

Associated products

Counterparts
 1532 07  KLS 40  KLS 44
 WKLS 40

15

1503 29

Designation	Pole Number	PU (Pieces)	MDQ (Pieces)
1503 29	3	500	500

Packaging:

in bulk, in a cardboard box or a plastic bag