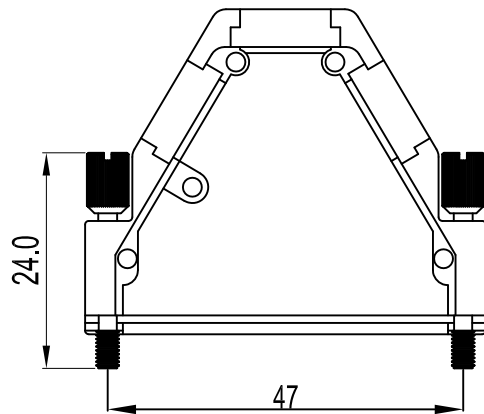
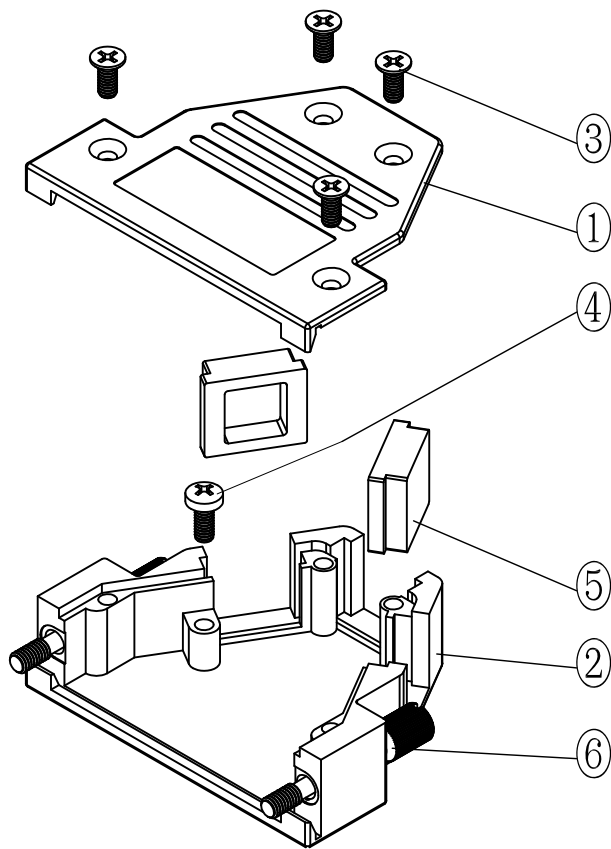
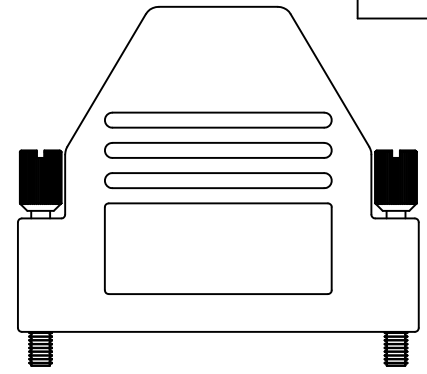
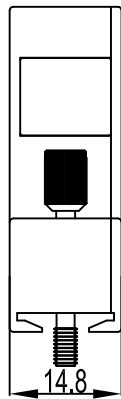
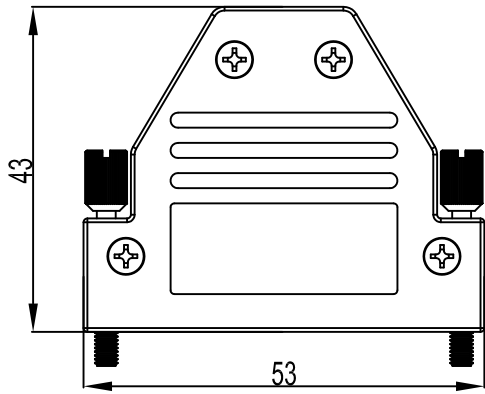


No.	Changes and/or Note No.	Date	Intr	No	Changes and/or Note No.	Date	Intr
-----	-------------------------	------	------	----	-------------------------	------	------

Revision
0



Part Number:	Description:	Pack:	Item	QTY	Part description
1520-0301-03	DCRP25-K	Kit	1	1	DCRP25-Lower Cover
			2	1	DCRP25-Upper Cover
			3	4	M2.5X6 Countersunk screw
			4	1	M2.5X6 Posi pan screw
1521-0301-03	DCRP25	Bulk	5	2	Blanker
			6	2	UNC4-40X24 Jackscrew

DATE: 2016-04-28	DRAWN: YGY	SCALE: 1:1	MATERIAL TYPE:	GENERAL TOLERANCES UNLESS OTHERWISE STATED LINEAR 0 ±0.20 0.0 ±0.15 0.00 ±0.10 ANGULAR ±0°30' ALL DIMENSIONS IN mm FIRST ANGLE PROJECTION
AUDITING:	APPROVED: MRR		REPLACES:	

<h1>DCRP25-SERIES</h1>	
DRAWING No:	