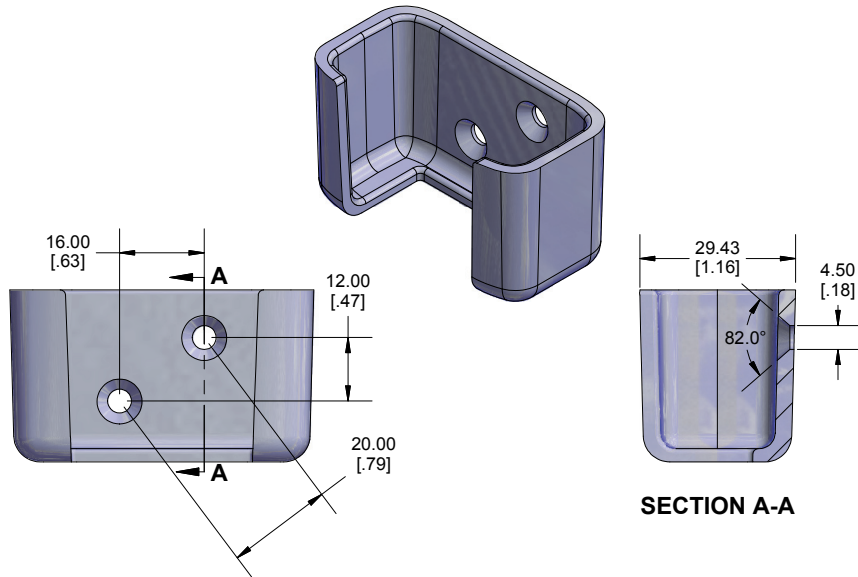
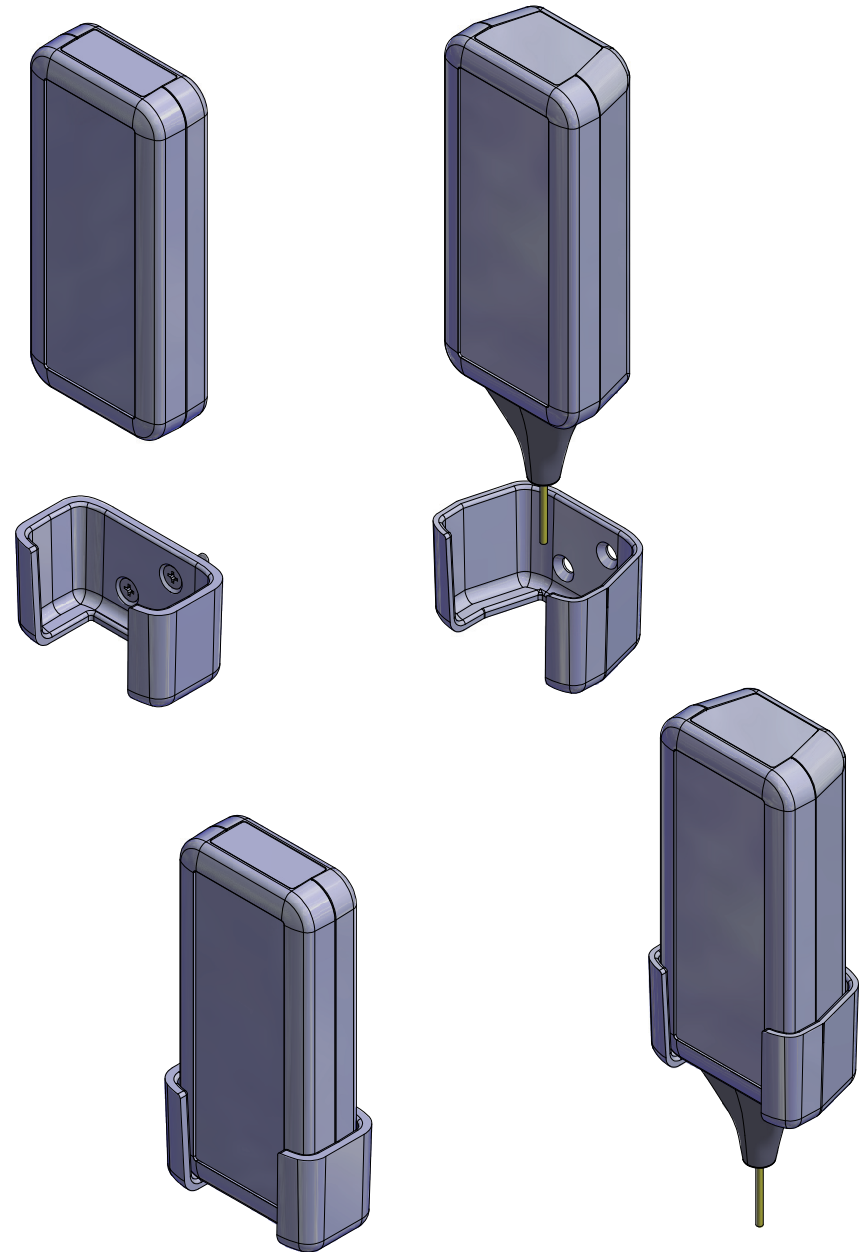


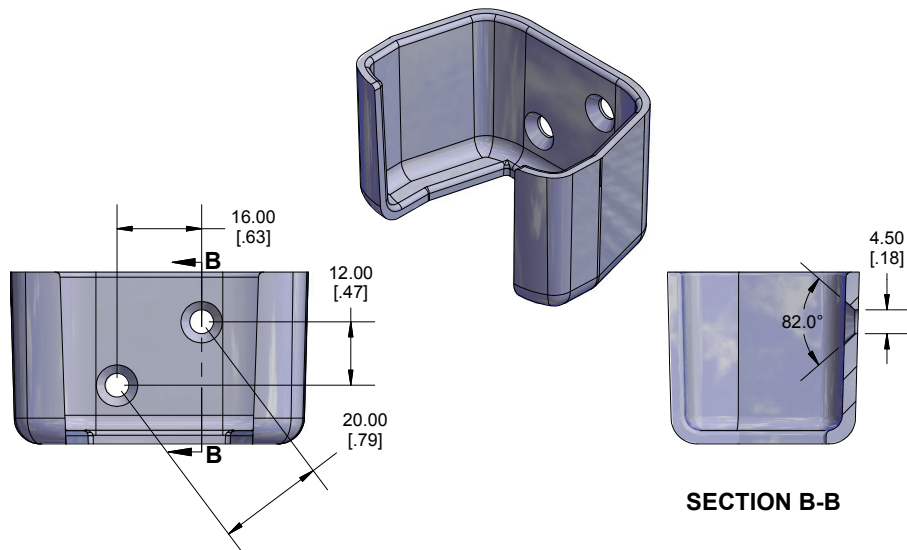
1552CH Instructions



HOLDER ALSO WORKS WITH THE CABLE GLAND KIT



1552DH Instructions



MOUNT TO A SOLID SURFACE
USING #6 FLAT HEAD SCREWS
(SCREWS NOT SUPPLIED)