

1586844-1 ✓ ACTIVE

MATE-N-LOK | Universal MATE-N-LOK

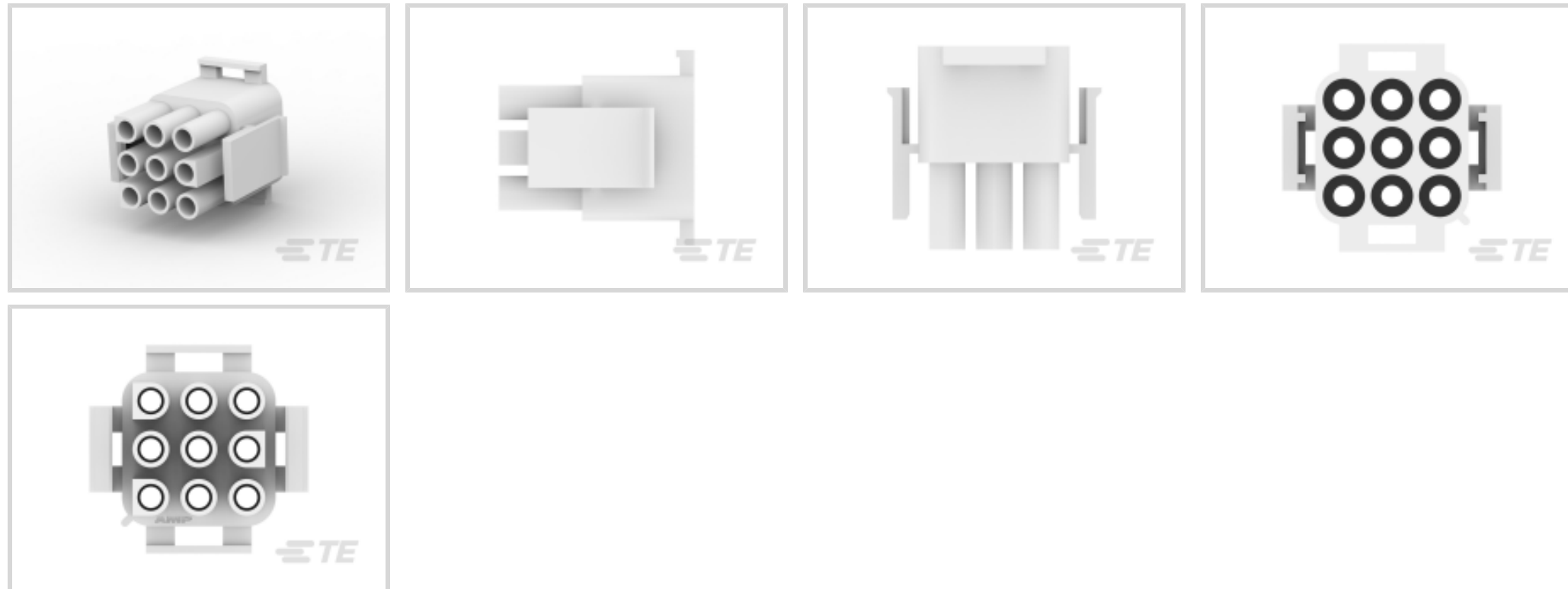
TE Internal #: 1586844-1

Universal MATE-N-LOK, Rectangular Power Connectors, Housing, Plug, Wire-to-Board / Wire-to-Wire, 9 Position, .25 in [6.35 mm] Centerline, Wire & Cable

[View on TE.com >](#)



Connectors > Power Connectors > Rectangular Power > Rectangular Power Connectors



Rectangular Power Connector Type: **Housing**

Connector & Housing Type: **Plug**

Connector System: **Wire-to-Board, Wire-to-Wire**

Number of Positions: **9**

Centerline (Pitch): **6.35 mm [.25 in]**

Features

Product Type Features

Rectangular Power Connector Type	Housing
Connector & Housing Type	Plug
Connector System	Wire-to-Board, Wire-to-Wire
Sealable	No
Connector & Contact Terminates To	Wire & Cable

Configuration Features

Number of Positions	9
Number of Rows	3

Electrical Characteristics

Operating Voltage	600 VAC
-------------------	---------

Contact Features

Multiple Contact Types	Without
Contact Layout	Matrix
Contact Retention Within Housing	Without



Contact Type	Socket
--------------	--------

Termination Features

Termination Method to Wire & Cable	Crimp
------------------------------------	-------

Mechanical Attachment

Connector Mounting Type	Cable Mount (Free-Hanging)
-------------------------	----------------------------

Housing Features

Centerline (Pitch)	6.35 mm [.25 in]
--------------------	------------------

Housing Color	Natural
---------------	---------

Housing Material	Nylon
------------------	-------

Dimensions

Row-to-Row Spacing	6.35 mm [.25 in]
--------------------	------------------

.03 – .09 in

Usage Conditions

Operating Temperature Range	-55 – 105 °C [-67 – 221 °F]
-----------------------------	-----------------------------

Operation/Application

Assembly Integration Feature	Without
------------------------------	---------

Circuit Application	Power & Signal
---------------------	----------------

Industry Standards

CSA Rating	Certified
------------	-----------

UL Flammability Rating	UL 94V-2
------------------------	----------

Glow Wire Rating	GWT 750°C (Without Flame)
------------------	---------------------------

UL Rating	Recognized
-----------	------------

Agency/Standard Number	E28476
------------------------	--------

CSA File Number	LR7189
-----------------	--------

VDE Tested	Yes
------------	-----

Agency/Standard	CSA, UL
-----------------	---------

Packaging Features

Packaging Method	Package
------------------	---------

Packaging Quantity	1
--------------------	---

Other

For Use With	Appropriate Universal MATE-N-LOK Cap
--------------	--------------------------------------



or Header

Product Compliance

[For compliance documentation, visit the product page on TE.com>](#)

EU RoHS Directive 2011/65/EU	Compliant
EU ELV Directive 2000/53/EC	Compliant
China RoHS 2 Directive MIIT Order No 32, 2016	No Restricted Materials Above Threshold
EU REACH Regulation (EC) No. 1907/2006	Current ECHA Candidate List: JAN 2022 (223) Candidate List Declared Against: JAN 2022 (223) Does not contain REACH SVHC
Halogen Content	Not Low Halogen - contains Br or Cl > 900 ppm.
Solder Process Capability	Not applicable for solder process capability

Product Compliance Disclaimer

This information is provided based on reasonable inquiry of our suppliers and represents our current actual knowledge based on the information they provided. This information is subject to change. The part numbers that TE has identified as EU RoHS compliant have a maximum concentration of 0.1% by weight in homogenous materials for lead, hexavalent chromium, mercury, PBB, PBDE, DBP, BBP, DEHP, DIBP, and 0.01% for cadmium, or qualify for an exemption to these limits as defined in the Annexes of Directive 2011/65/EU (RoHS2). Finished electrical and electronic equipment products will be CE marked as required by Directive 2011/65/EU. Components may not be CE marked. Additionally, the part numbers that TE has identified as EU ELV compliant have a maximum concentration of 0.1% by weight in homogenous materials for lead, hexavalent chromium, and mercury, and 0.01% for cadmium, or qualify for an exemption to these limits as defined in the Annexes of Directive 2000/53/EC (ELV). Regarding the REACH Regulation, the information TE provides on SVHC in articles for this part number is based on the latest European Chemicals Agency (ECHA) 'Guidance on requirements for substances in articles' posted at this URL: <https://echa.europa.eu/guidance-documents/guidance-on-reach>

Compatible Parts

 <p>TE Part # 770028-1 09P UMNLII IN-LINE CAP HSG KIT</p>	 <p>TE Part # 350782-1 09P UMNL CAP HSG</p>	 <p>TE Part # 770053-1 09P UMNL II CAP-FRONT 94VO</p>	 <p>TE Part # 1-480707-2 09P UMNL CAP HSG RED</p>
--	--	--	--




TE Part # 770054-1
09P UMNL II CAP REAR 94VO



TE Part # 927231-5
UNML CAP HSG 9WAY



TE Part # 1-480707-9
09P UMNL CAP HSG BLK



TE Part # 1586846-1
06P UMNL PLUG HSG NATL, GW



TE Part # 1-480707-0
09P UMNL CAP HSG NATL



TE Part # 927231-7
UMNL 9 WAY CAP HOUSING



TE Part # 794899-1
04P UMNL HI TEMP PLUG HSG



TE Part # 1-480708-0
12P UMNL PLUG HSG NATL



TE Part # 1-480704-0
06P UMNL PLUG HSG NATL



TE Part # 794715-1
09P UMNL CAP HSG NATL,PAN MNT



TE Part # 2-480706-0
09P UMNL PLUG HSG NATL



TE Part # 794096-1
06P UMNL PLUG



TE Part # 794761-1
09P UMNL CAP HSG WHITE,P/MT,V0



TE Part # 1586848-1
12P UMNL PLUG HSG, GW




TE Part # 1-480707-1
09P UMNL CAP HSG BRN




TE Part # 1-480706-2
09P UMNL PLUG HSG RED


Also in the Series | **Universal MATE-N-LOK**



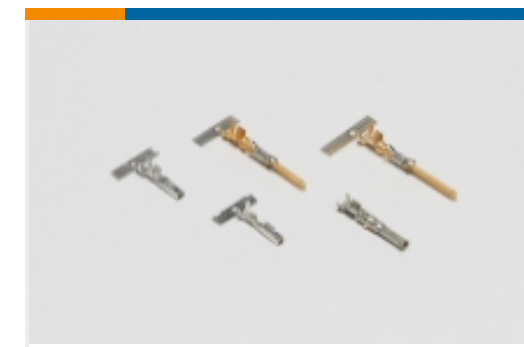
Circular Power Connectors(2)



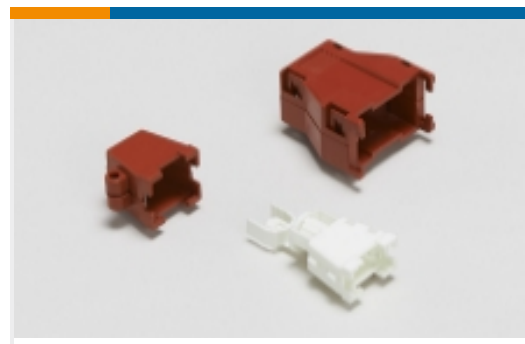
Connector Contacts(11)



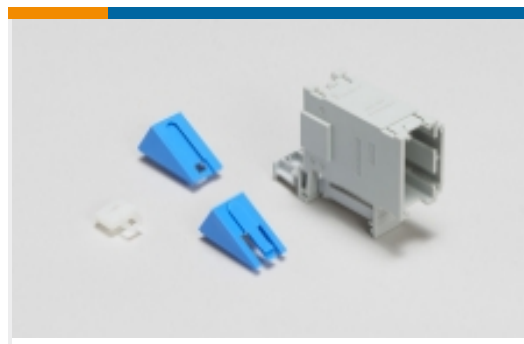
Insertion & Extraction Tools(4)



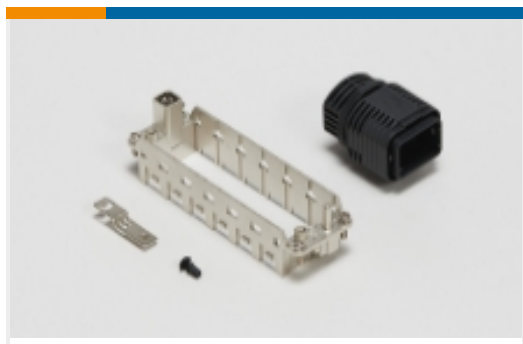
Power Contacts(207)



Rectangular Boots & Strain Relief(35)



Rectangular Connector Adapters(7)



Rectangular Connector Hardware(1)



Rectangular Connector Housings(2)



Rectangular Connector Keying Plugs(3)



Rectangular Connector Locking(4)



Rectangular Connector Seals(26)

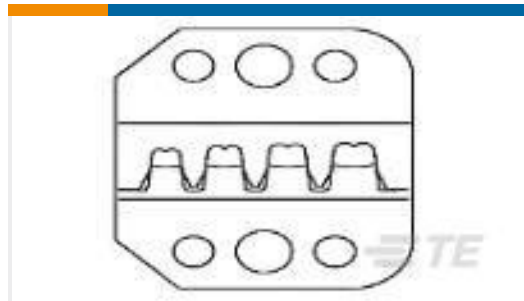


Rectangular Power Connectors(721)

Customers Also Bought



TE Part #1-1971773-3
PTL 1X3 PLUG HSG STD TEMP KEY A NAT



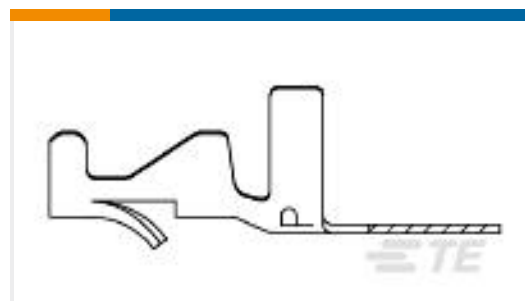
TE Part #58628-2
PROC RMP DIESET 26-14 ULTRAFast



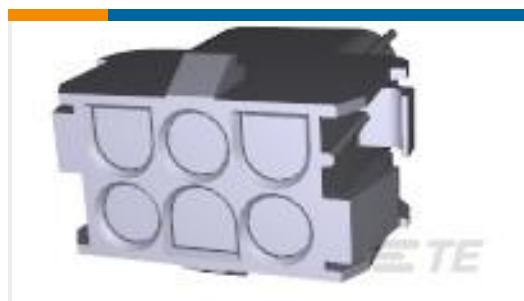
TE Part #643407-1
06P UMNL PIN HDR ASSY POL NATL



TE Part #1-770834-0
MINI UMNL SOK AU LF



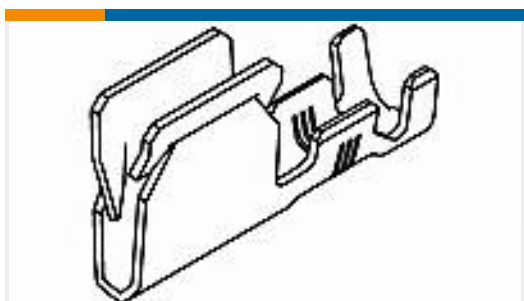
TE Part #3-640311-1
MINI AMP-IN 22-18 AWG .008PTPPHBZ



TE Part #2178773-1
UMNL 6 WAY CAP HOUSING



TE Part #1586851-1
02P UMNL PLUG HSG, GW



TE Part #63895-1
GROUND CLIP 14-18AWG ST



TE Part #175150-2
AMP UNIVE. POWER CONN TAB CONT



TE Part #60620-5
CMNL PIN 20-14 AUBR L/P

Documents



Product Drawings

09P UMNL PLUG HSG NATL, GW

English

CAD Files

Customer View Model

[ENG_CVM_1586844-1_A.3d_igs.zip](#)

English

Customer View Model

[ENG_CVM_1586844-1_A.3d_stp.zip](#)

English

Customer View Model

[ENG_CVM_1586844-1_A.2d_dxf.zip](#)

English

3D PDF

English

By downloading the CAD file I accept and agree to the [Terms and Conditions](#) of use.

Product Environmental Compliance

TE Material Declaration

English

Agency Approvals

UL Report

English