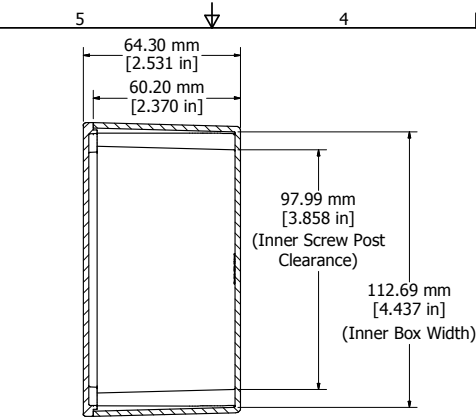
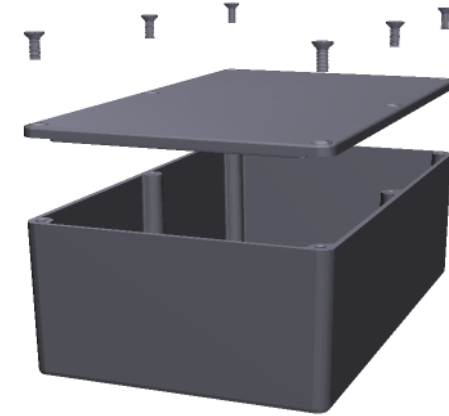


ASSEMBLY

SECTION B-B  
SIDE VIEW OF ASSEMBLY



SECTION A-A  
END VIEW OF ASSEMBLY



Enclosures can be Factory Modified ( Milling, Drilling, Printing etc. )  
 Contact Factory [mjm@hammondmfg.com](mailto:mjm@hammondmfg.com) for quotes  
 Solid models of this enclosure available in STEP or IGES.

NOTE	
Purchased assembly includes box, lid and 6 cover screws.	
Box and lid are made from Diecast Aluminum Alloy.	

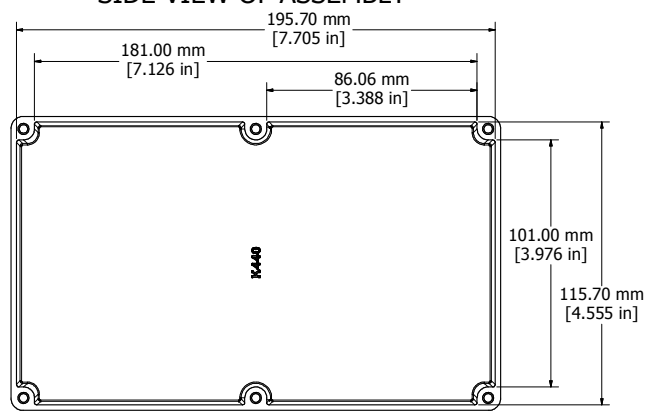
PART NUMBERS	
1590DE Enclosure	
Unfinished	1590DE
Grey Textured Polyester Powder Paint - RAL 7038	1590DEGY
Black Textured Polyester Powder Paint	1590DEBK
1590WDE Liquid Resistant Enclosure (Preform Silicon Gasket)	
Unfinished	1590WDE
Black Textured Polyester Powder Paint	1590WDEBK



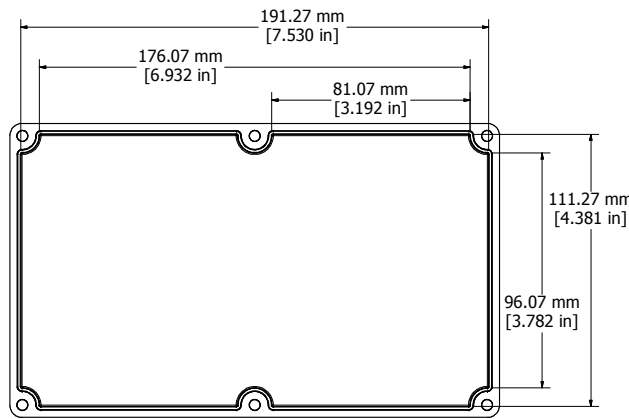
**HAMMOND  
MANUFACTURING™**

**1590DE**

[www.hammondmfg.com](http://www.hammondmfg.com)



BOX - INSIDE VIEW



LID - INSIDE VIEW