

# HCC 4-M - Plug



1600014

<https://www.phoenixcontact.com/pc/products/1600014>

Please be informed that the data shown in this PDF document is generated from our online catalog. Please find the complete data in the user documentation. Our general terms of use for downloads are valid.

Plug, nom. voltage: 500 V, nominal current: 25 A, number of connections: 10, connection method: Screw connection, Rated cross section: 4 mm<sup>2</sup>, cross section: 0.2 mm<sup>2</sup> - 4 mm<sup>2</sup>, mounting type: direct screw connection, color: gray



## Your advantages

- Sturdy strain relief for plug and socket
- Touch proof, even when unplugged

## Commercial data

Item number	1600014
Packing unit	50 pc
Minimum order quantity	1 pc
Product key	BE1ZWX
Catalog page	Page 438 (C-3-2013)
GTIN	4017918021740
Weight per piece (including packing)	37.106 g
Weight per piece (excluding packing)	37.106 g
Customs tariff number	85366990
Country of origin	PL

# HCC 4-M - Plug



1600014

<https://www.phoenixcontact.com/pc/products/1600014>

## Technical data

### Product properties

Product type	High current terminal block
Pitch	7.62 mm
Number of connections	10
Number of rows	1

### Insulation characteristics

Overvoltage category	III
Degree of pollution	3

### Electrical properties

Rated surge voltage	6 kV
Maximum power dissipation for nominal condition	1.02 W

### Connection data

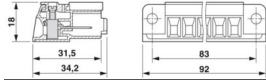
Number of connections per level	10
Nominal cross section	4 mm <sup>2</sup>
Screw thread	M3
Tightening torque	0.5 ... 0.6 Nm
Stripping length	7 mm
Internal cylindrical gage	A4
Connection in acc. with standard	IEC 61984
Conductor cross section rigid	0.2 mm <sup>2</sup> ... 4 mm <sup>2</sup>
Cross section AWG	24 ... 12 (converted acc. to IEC)
Conductor cross section flexible	0.2 mm <sup>2</sup> ... 4 mm <sup>2</sup>
Conductor cross section, flexible [AWG]	24 ... 12 (converted acc. to IEC)
Conductor cross-section flexible (ferrule without plastic sleeve)	0.25 mm <sup>2</sup> ... 4 mm <sup>2</sup>
Flexible conductor cross section (ferrule with plastic sleeve)	0.25 mm <sup>2</sup> ... 4 mm <sup>2</sup>
2 conductors with same cross section, solid	0.2 mm <sup>2</sup> ... 2.5 mm <sup>2</sup>
2 conductors with same cross section, flexible	0.2 mm <sup>2</sup> ... 2.5 mm <sup>2</sup>
2 conductors with same cross section, flexible, with ferrule without plastic sleeve	0.25 mm <sup>2</sup> ... 1.5 mm <sup>2</sup>
2 conductors with the same cross section, flexible, with TWIN ferrule with plastic sleeve	0.5 mm <sup>2</sup> ... 2.5 mm <sup>2</sup>
Nominal current	25 A
Maximum load current	25 A (with 4 mm <sup>2</sup> conductor cross section)
Nominal voltage	500 V
Nominal cross section	4 mm <sup>2</sup>

### Dimensions

# HCC 4-M - Plug

1600014

<https://www.phoenixcontact.com/pc/products/1600014>

Dimensional drawing	
Width	92 mm
Height	34.2 mm
Depth	18 mm
Drill hole spacing	83 mm
Pitch	7.62 mm

## Material specifications

Color	gray
Flammability rating according to UL 94	V2
Insulating material group	I
Insulating material	PA
Static insulating material application in cold	-40 °C
Relative insulation material temperature index (Elec., UL 746 B)	125 °C

## Mechanical properties

### Mechanical data

Open side panel	No
-----------------	----

### Technical data

Drill hole spacing	83 mm
--------------------	-------

## Environmental and real-life conditions

### Ambient conditions

Ambient temperature (storage/transport)	-25 °C ... 60 °C (for a short time, not exceeding 24 h, -60 °C to +70 °C)
Ambient temperature (assembly)	-5 °C ... 70 °C
Ambient temperature (actuation)	-5 °C ... 70 °C
Permissible humidity (storage/transport)	30 % ... 70 %

## Standards and regulations

Connection in acc. with standard	IEC 61984
----------------------------------	-----------

## Mounting

Mounting type	direct screw connection
---------------	-------------------------

# HCC 4-M - Plug

1600014

<https://www.phoenixcontact.com/pc/products/1600014>



## Drawings

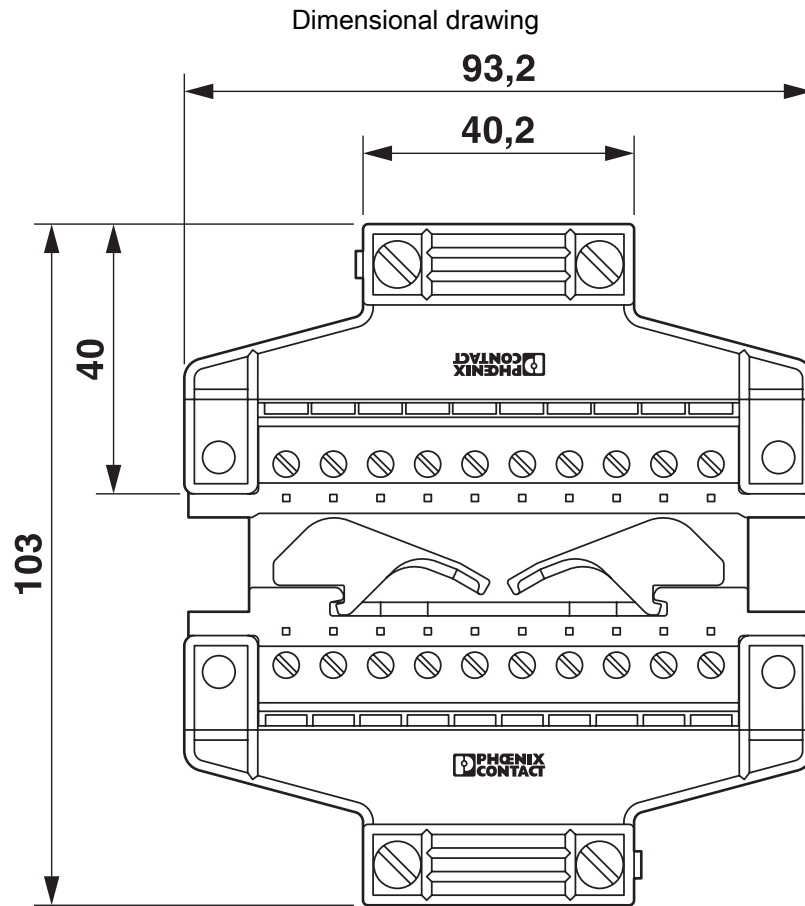
### Circuit diagram



# HCC 4-M - Plug

1600014

<https://www.phoenixcontact.com/pc/products/1600014>



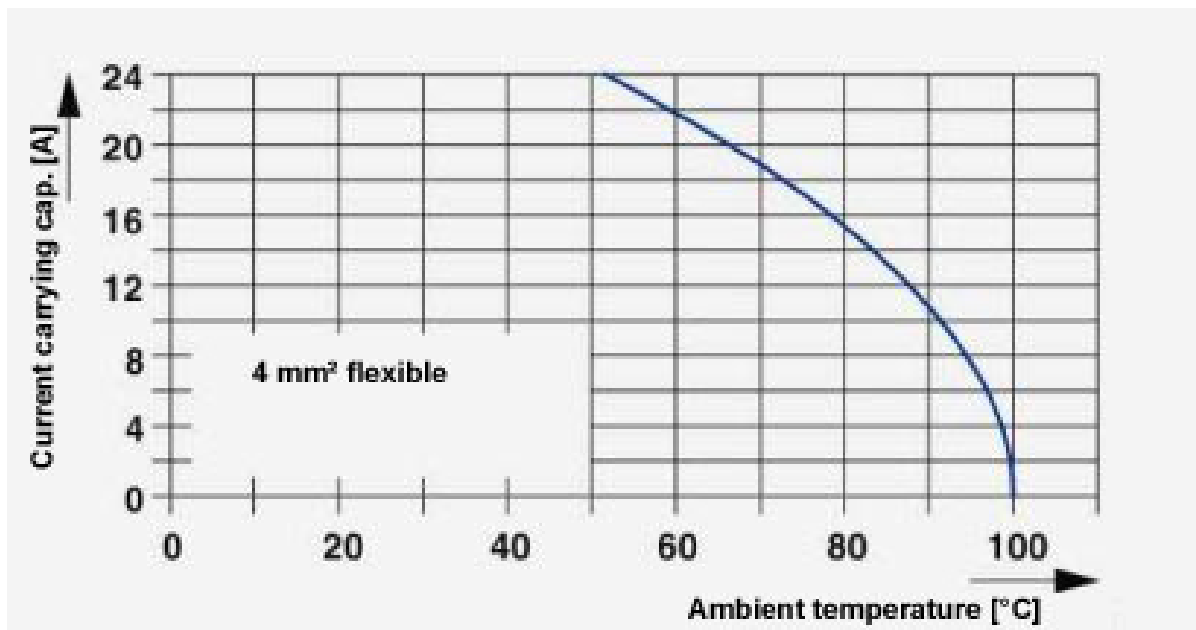
# HCC 4-M - Plug

1600014

<https://www.phoenixcontact.com/pc/products/1600014>



Diagram



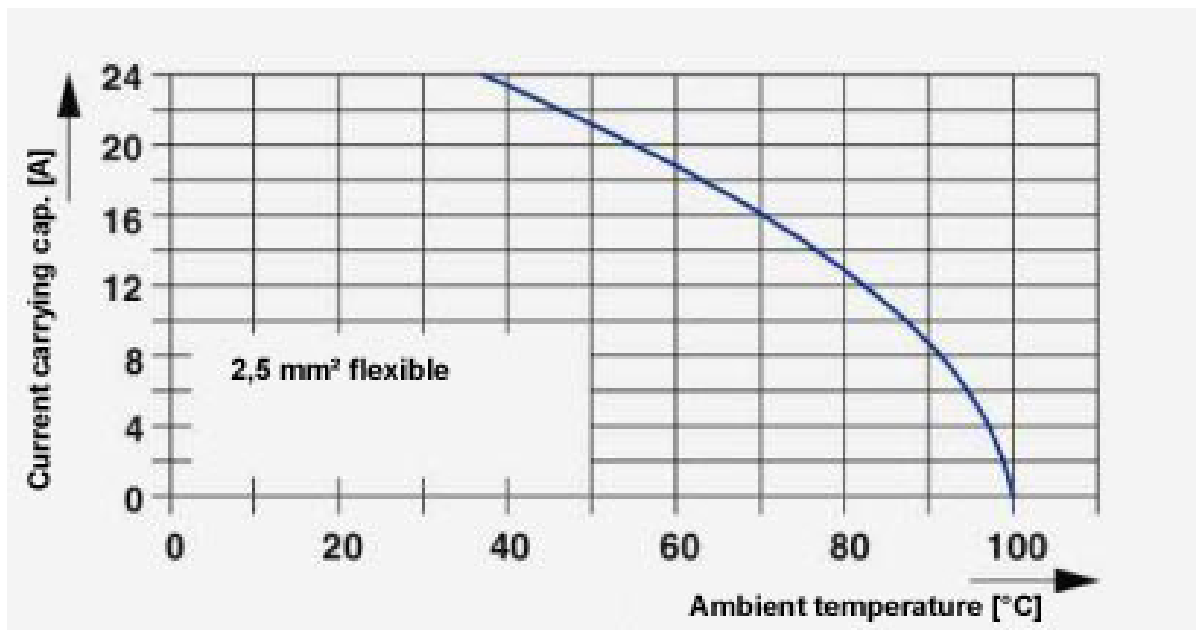
# HCC 4-M - Plug

1600014

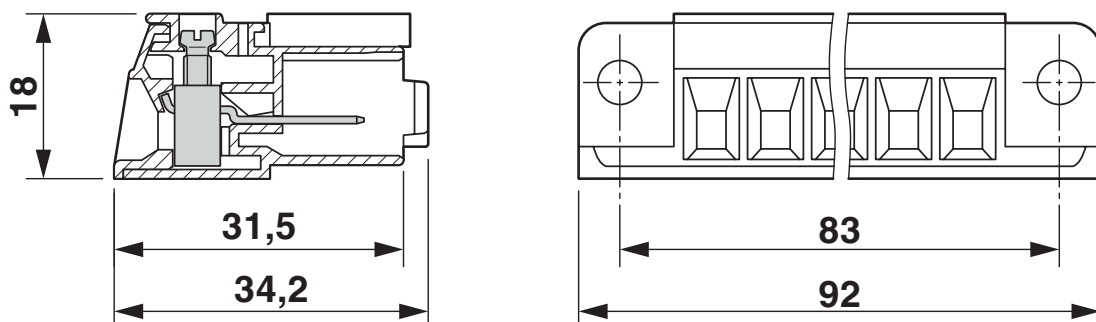
<https://www.phoenixcontact.com/pc/products/1600014>



Diagram



Dimensional drawing



# HCC 4-M - Plug





1600014

<https://www.phoenixcontact.com/pc/products/1600014>


## Approvals


To download certificates, visit the product detail page: <https://www.phoenixcontact.com/pc/products/1600014>

 <b>CSA</b> Approval ID: 13631				
	Nominal voltage $U_N$	Nominal current $I_N$	Cross section AWG	Cross section $mm^2$
	300 V	20 A	28 - 10	-

 <b>UL Recognized</b> Approval ID: FILE E 60425				
	Nominal voltage $U_N$	Nominal current $I_N$	Cross section AWG	Cross section $mm^2$
Use group B	250 V	20 A	30 - 10	-
Use group C	300 V	20 A	30 - 10	-
	300 V	20 A	30 - 10	-

 <b>EAC</b> Approval ID: RU C-DE.BL08.B.00511				
---	--	--	--	--

 <b>DNV GL</b> Approval ID: TAE00001EZ				
--	--	--	--	--

 <b>LR</b> Approval ID: LR21308805TA				
--	--	--	--	--



# HCC 4-M - Plug

1600014

<https://www.phoenixcontact.com/pc/products/1600014>



## Classifications

### ECLASS

ECLASS-11.0	27141151
ECLASS-12.0	27141151
ECLASS-13.0	27250306

### ETIM

ETIM 9.0	EC002021
----------	----------

### UNSPSC

UNSPSC 21.0	39121400
-------------	----------

# HCC 4-M - Plug

1600014

<https://www.phoenixcontact.com/pc/products/1600014>



## Environmental product compliance

China RoHS	Environmentally friendly use period: unlimited = EFUP-e No hazardous substances above threshold values
------------	---

# HCC 4-M - Plug

1600014

<https://www.phoenixcontact.com/pc/products/1600014>



## Accessories

### CP-HCC 4 - Coding profile

1600027

<https://www.phoenixcontact.com/pc/products/1600027>

Coding element, Coding profile, color: red, product range: Coding



---

### HCC 4-F - Female insert

1600001

<https://www.phoenixcontact.com/pc/products/1600001>

Female insert, nom. voltage: 500 V, nominal current: 25 A, number of connections: 10, number of positions: 10, connection method: Screw connection, Rated cross section: 4 mm<sup>2</sup>, cross section: 0.2 mm<sup>2</sup> - 4 mm<sup>2</sup>, mounting type: direct screw connection, color: gray



# HCC 4-M - Plug

1600014

<https://www.phoenixcontact.com/pc/products/1600014>



## SZS 0,6X3,5 - Screwdriver

1205053

<https://www.phoenixcontact.com/pc/products/1205053>



Actuation tool, for ST terminal blocks, insulated, also suitable for use as a bladed screwdriver, size: 0.6 x 3.5 x 100 mm, 2-component grip, with non-slip grip

---

Phoenix Contact 2024 © - all rights reserved

<https://www.phoenixcontact.com>

PHOENIX CONTACT GmbH & Co. KG

Flachsmarktstraße 8

D-32825 Blomberg

+49 (0) 5235-3 00

[info@phoenixcontact.com](mailto:info@phoenixcontact.com)