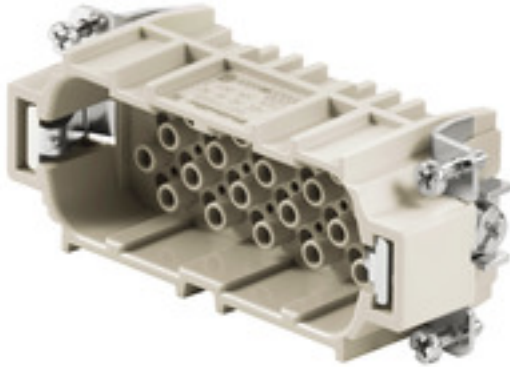


HDC insert HDC HD 40 MC

Weidmüller Interface GmbH & Co. KG
 Klingenbergstraße 16
 D-32758 Detmold
 Germany
 Fon: +49 5231 14-0
 Fax: +49 5231 14-292083
 www.weidmueller.com



The HD series features high-density contacts and is thus ideally suited to signal processing.
 The wire connection level is designed for crimp contacts.
 The proven crimp connection method has been in standard use for decades.
 Crimp contacts are not included in the scope of delivery of inserts.
 Crimp connection

General ordering data

Type	HDC HD 40 MC
Order No.	1601710000
Version	HDC insert, Pin, 250 V, 10 A, No. of poles: 40, Crimp connection, Size: 6
GTIN (EAN)	4008190154769
Qty.	1 pc(s).

**HDC insert
HDC HD 40 MC**

Weidmüller Interface GmbH & Co. KG
 Klingenbergstraße 16
 D-32758 Detmold
 Germany
 Fon: +49 5231 14-0
 Fax: +49 5231 14-292083
 www.weidmueller.com

Technical data**Dimensions and weights**

Length	84.5 mm	Length (inches)	3.327 inch
Width	34 mm	Width (inches)	1.339 inch
Height	39.5 mm	Height (inches)	1.555 inch
Net weight	57 g		

Temperatures

Limit temperature	-40 °C ... 125 °C
-------------------	-------------------

Dimensions

Height of plug	39.5 mm	Total length base	84.5 mm
----------------	---------	-------------------	---------

General data

Conductor cross-section	2.5 mm ²	Insulating material	PC glass-fibre reinforced (UL-listed and railway-certified)
Insulating material group	IIIa	Insulation strength	10 ¹⁰ Ω
Material	Copper alloy	No. of poles	40
Plugging cycles, gold	≥ 500	Plugging cycles, silver	≥ 500
Pollution severity	3	Rated current (DIN EN 61984)	10 A
Rated impulse voltage (DIN EN 61984)	4 kV	Rated voltage (DIN EN 61984)	250 V
Rated voltage according to UL/CSA	600 V AC/DC	Series	HD
Size	6	Surface finish	Silver passivated, gold
Type	Pin	UL 94 flammability rating	V-0
Volume resistance	≤ 4mΩ		

Connection data PE

Blade size, crosshead	size PZ 1	Blade size, slotted (PE connection)	SD 0.6 x 3.5, SD 0.8 x 4.0
Connection type PE	Screw connection	Fixing screw	M 4
Rated cross-section	2.5 mm ²	Stripping length PE connection	10 mm
Tightening torque, max. PE connection	1.5 Nm	Tightening torque, min. PE connection	1.2 Nm
Wire connection cross section, finely stranded, max.	2.5 mm ²	Wire connection cross-section, finely stranded with wire-end ferrules DIN 46228/4, max.	2.5 mm ²
Wire connection cross-section, finely stranded with wire-end ferrules DIN 46228/4, min.	0.5 mm ²	Wire connection cross-section, finely stranded, min.	0.5 mm ²
Wire cross section, AWG (PE), max.	AWG 14	Wire cross section, AWG (PE), min.	AWG 20
Wire cross-section, solid, max.	2.5 mm ²	Wire cross-section, solid, min.	0.5 mm ²

HDC insert HDC HD 40 MC

Weidmüller Interface GmbH & Co. KG
 Klingenbergstraße 16
 D-32758 Detmold
 Germany
 Fon: +49 5231 14-0
 Fax: +49 5231 14-292083
 www.weidmueller.com

Technical data

Version

Conductor cross-section, max.	2.5 mm ²	Conductor cross-section, min.	0.14 mm ²
Material	Copper alloy	Size	6
Stripping length, rated connection	8 mm	Surface finish	Silver passivated, gold
Type of connection	Crimp connection	Volume resistance	≤ 4mΩ
Wire connection cross section AWG, max.	AWG 14	Wire connection cross section AWG, min.	AWG 26
Wire connection cross section, finely stranded, max.	2.5 mm ²	Wire connection cross-section, finely stranded with wire-end ferrules DIN 46228/4, max.	2.5 mm ²
Wire connection cross-section, finely stranded with wire-end ferrules DIN 46228/4, min.	0.5 mm ²	Wire connection cross-section, finely stranded, min.	0.5 mm ²
Wire cross-section, solid, max.	2.5 mm ²	Wire cross-section, solid, min.	0.5 mm ²

Classifications

ETIM 3.0	EC001121	ETIM 4.0	EC001121
ETIM 5.0	EC001121	ETIM 6.0	EC000438
UNSPSC	30-21-18-01	eClass 5.1	27-14-34-19
eClass 6.2	27-26-12-04	eClass 7.1	27-44-02-05
eClass 8.1	27-44-02-05	eClass 9.0	27-44-02-05
eClass 9.1	27-44-02-05		

Product information

Descriptive text ordering data	Please use this insert type doubled for size 10 (80-pole). We recommend the use of guide pins and sockets.
Instructions for accessories	Accessories, see chapter J - Tools, see chapter K

Approvals

Approvals



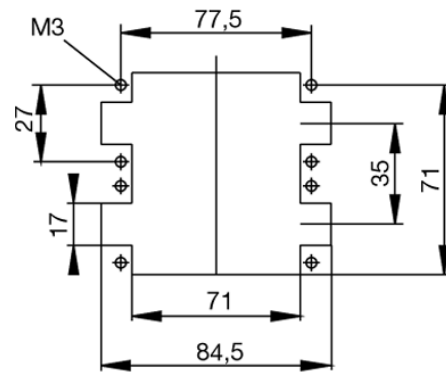
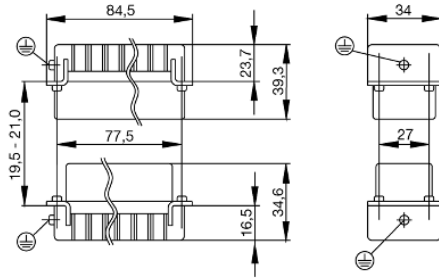
ROHS Conform

Downloads

Brochure/Catalogue	CAT 3 HDC 17/18 EN FL FIELDWIRING EN
Engineering Data	EPLAN, WSCAD, Zuken E3.S
Engineering Data	STEP

**HDC insert
HDC HD 40 MC**

Weidmüller Interface GmbH & Co. KG
Klingenbergstraße 16
D-32758 Detmold
Germany
Fon: +49 5231 14-0
Fax: +49 5231 14-292083
www.weidmueller.com

Drawings

Data sheet

**HDC insert
HDC HD 40 MC**

Weidmüller Interface GmbH & Co. KG
 Klingenbergstraße 16
 D-32758 Detmold
 Germany
 Fon: +49 5231 14-0
 Fax: +49 5231 14-292083
 www.weidmueller.com

Accessories

Crosshead screwdriver Pozidriv

VDE insulated crosshead screwdriver type Pozidriv SDIK PZ DIN 7438, ISO 8764/2-PZ, output to ISO 8764-PZ, SoftFinish grip



General ordering data

Type	Order No.	Version	GTIN (EAN)	Qty.
SDIK PZ1	9008900000	Screwdriver, Blade length: 80 mm	4032248266685	1 pc(s).

Slotted screwdriver

Slotted screwdriver with rounded blade SD DIN 5265, ISO 2380/2, output to DIN 5264, ISO 2380/1. ChromTop tip, SoftFinish grip



General ordering data

Type	Order No.	Version	GTIN (EAN)	Qty.
SDS 0.8X4.0X100	9008340000	Screwdriver, Blade width (B): 4 mm, Blade length: 100 mm, Blade thickness (A): 0.8 mm	4032248056293	1 pc(s).

**HDC insert
HDC HD 40 MC**

Weidmüller Interface GmbH & Co. KG
Klingenbergstraße 16
D-32758 Detmold
Germany
Fon: +49 5231 14-0
Fax: +49 5231 14-292083
www.weidmueller.com

Accessories

DSTV



Various accessories are available for our inserts. This includes coding elements for the inserts.

General ordering data

Type	Order No.	Version	GTIN (EAN)	Qty.
DSTV COST4	1471300000	Heavy-duty connectors, Accessories, Coding System	4008190017354	100 pc(s).
DSTV COBU5	1471500000	Heavy-duty connectors, Accessories, Coding element	4008190178543	100 pc(s).

Crimp contacts HD



Crimps provide a electrical and mechanical connection between wire and contact that is both secure and reliable. The optimal crimp connection is gas-tight and corrosion-resistant.

General ordering data

Type	Order No.	Version	GTIN (EAN)	Qty.
HDC-C-HD-SM0.5AG	1651530000	Heavy-duty connectors, Crimp contact, HD, HDD, HQ, MixMate, Pin, Conductor cross-section, max.: 0.5, turned, Copper alloy	4008190400200	100 pc(s).
HDC-C-HD-SM1.5AG	1651550000	Heavy-duty connectors, Crimp contact, HD, HDD, HQ, MixMate, Pin, Conductor cross-section, max.: 1.5, turned, Copper alloy	4008190400224	100 pc(s).
HDC-C-HD-SM0.14-0.37AU	1651620000	Heavy-duty connectors, Crimp contact, HD, HDD, HQ, MixMate, Pin, Conductor cross-section, max.: 0.37, turned, Copper alloy	4008190400293	100 pc(s).

HDC insert HDC HD 40 MC

Weidmüller Interface GmbH & Co. KG
 Klingenbergstraße 16
 D-32758 Detmold
 Germany
 Fon: +49 5231 14-0
 Fax: +49 5231 14-292083
 www.weidmueller.com

Accessories

HDC-C-HD- SM1.5AU	1651650000	Heavy-duty connectors, Crimp contact, HD, HDD, HQ, MixMate, Pin, Conductor cross-section, max.: 1.5, turned, Copper alloy	4008190400323 100 pc(s).
HDC-C-HD- SM2.5AU	1651660000	Heavy-duty connectors, Crimp contact, HD, HDD, HQ, MixMate, Pin, Conductor cross-section, max.: 2.5, turned, Copper alloy	4008190400330 100 pc(s).
HDC-C-HD- SM0.14-0.37AG	1651520000	Heavy-duty connectors, Crimp contact, HD, HDD, HQ, MixMate, Pin, Conductor cross-section, max.: 0.37, turned, Copper alloy	4008190400194 100 pc(s).
HDC-C-HD- SM0.5AU	1651630000	Heavy-duty connectors, Crimp contact, HD, HDD, HQ, MixMate, Pin, Conductor cross-section, max.: 0.5, turned, Copper alloy	4008190400309 100 pc(s).
HDC-C-HD- SM0.75-1.00AG	1601750000	Heavy-duty connectors, Crimp contact, HD, HDD, HQ, MixMate, Pin, Conductor cross-section, max.: 1, turned, Copper alloy	4008190134280 100 pc(s).
HDC-C-HD- SM2.5AG	1651560000	Heavy-duty connectors, Crimp contact, HD, HDD, HQ, MixMate, Pin, Conductor cross-section, max.: 2.5, turned, Copper alloy	4008190400231 100 pc(s).
HDC-C-HD- SM0.75-1.00AU	1651640000	Heavy-duty connectors, Crimp contact, HD, HDD, HQ, MixMate, Pin, Conductor cross-section, max.: 1, turned, Copper alloy	4008190400316 100 pc(s).

**HDC insert
HDC HD 40 MC**

Weidmüller Interface GmbH & Co. KG
 Klingenbergstraße 16
 D-32758 Detmold
 Germany
 Fon: +49 5231 14-0
 Fax: +49 5231 14-292083
 www.weidmueller.com

Accessories

Tools



Tools for removing the sheathing of uncut power cables and outgoing feeders, plus screwdrivers for installing FieldPower components.

General ordering data

Type	Order No.	Version	GTIN (EAN)	Qty.
SDS 0.6X3.5X100	9008330000	Screwdriver, Blade width (B): 3.5 mm, Blade length: 100 mm, Blade thickness (A): 0.6 mm	4032248056286	1 pc(s).

Crosshead screwdriver Pozidriv



Crosshead screwdriver, Pozidriv, SDK PZ DIN 5262, ISO 8764/2-PZ, output to ISO 8764/1-PZ, ChromTop tip, SoftFinish grip

General ordering data

Type	Order No.	Version	GTIN (EAN)	Qty.
SDK PZ1	9008530000	Screwdriver, Blade width (B): 4.5 mm, Blade length: 80 mm	4032248056521	1 pc(s).

Data sheet

**HDC insert
HDC HD 40 MC**

Weidmüller Interface GmbH & Co. KG
 Klingenbergstraße 16
 D-32758 Detmold
 Germany
 Fon: +49 5231 14-0
 Fax: +49 5231 14-292083
 www.weidmueller.com

Accessories

CTIN / CTX



Crimping tools for turned contacts

- Ratchet guarantees precise crimping
- Release option in the event of incorrect operation
- With stop for exact positioning of the contacts.

General ordering data

Type	Order No.	Version	GTIN (EAN)	Qty.
CTIN CM 1.6/2.5	9205430000	Pressing tool, Crimping tool	4032248733446	1 pc(s).
		for contacts, 0.14mm ² , 6mm ² , 4-indent crimp		
CTX CM 1.6/2.5	9018490000	Pressing tool, Crimping tool	4008190884598	1 pc(s).
		for contacts, 0.14mm ² , 4mm ² , W crimp		

Non-contact tools



Tools for dismantling Weidmüller crimp contacts

General ordering data

Type	Order No.	Version	GTIN (EAN)	Qty.
REMOVAL TOOL HD	1866730000	Tools, Contact Removal Tool	4032248437054	1 pc(s).

**HDC insert
HDC HD 40 MC**

Weidmüller Interface GmbH & Co. KG
 Klingenbergstraße 16
 D-32758 Detmold
 Germany
 Fon: +49 5231 14-0
 Fax: +49 5231 14-292083
 www.weidmueller.com

Accessories

Slotted screwdriver

VDE insulated slot-head screwdriver, SDI DIN 7437, ISO 2380/2, drive output acc. to DIN 5264, ISO 2380/1. SoftFinish grip



General ordering data

Type	Order No.	Version	GTIN (EAN)	Qty.
SDIS 0.8X4.0X100	9008400000	Screwdriver, Blade width (B): 4 mm, Blade length: 100 mm, Blade thickness (A): 0.8 mm	403224805636 1	1 pc(s).
SDIS 0.6X3.5X100	9008390000	Screwdriver, Blade width (B): 3.5 mm, Blade length: 100 mm, Blade thickness (A): 0.6 mm	4032248056354 1	1 pc(s).

Tightening torques and screwing tools

Screw size	Connector type	Dia. tightening torque in Nm	Recommended blade inserts and AF size for hexagon socket	
M 2.5	Signal contacts			
	S 6/6	0.5 - 0.55	SD 0.6 x 3.5 mm or PZ0	
	S 6/12	0.5 - 0.55	SD 0.6 x 3.5 mm or PZ0	
M 2.9 x 0.5	Fastening screws			
	HQ 4/2	0.8 (plastic) / 1.1 (metal)	SD 0.6 x 3.5 mm or PH0	
	HQ 8	0.8 (plastic) / 1.1 (metal)	SD 0.6 x 3.5 mm or PH0	
	HQ 17	0.8 (plastic) / 1.1 (metal)	SD 0.6 x 3.5 mm or PH0	
M 3	Contact screws			
	HA 3	0.5 - 0.55	SD 0.5 x 3.0 mm	
	HA 4	0.5 - 0.55	SD 0.5 x 3.0 mm	
	HA 10 bis HA 48	0.5 - 0.55	SD 0.6 x 3.5 mm or PH0	
	HE	0.5 - 0.55	SD 0.6 x 3.5 mm or PZ0	
	HVE	0.5 - 0.55	SD 0.6 x 3.5 mm or PZ0	
	Signal contacts:			
	S 4/2	0.5 - 0.55	SD 0.6 x 3.5 mm or PZ0	
	S 4/8	0.5 - 0.55	SD 0.6 x 3.5 mm or PZ0	
	PE connection via female contact			
	S 4	0.5 - 0.8	SD 0.6 x 3.5 mm	
	ConCept modular frame, metal	0.5 - 0.55	SD 0.6 x 3.5 mm	
	PE terminal			
	HQ 5	0.5 - 0.55	SD 0.6 x 3.5 or 0.8 x 4 mm	
	HQ 7	0.5 - 0.55	SD 0.6 x 3.5 or 0.8 x 4 mm	
	Fastening screws	0.5 - 0.55	SD 0.6 x 3.5 mm or PZ0	
	Guide pin	0.5 - 0.55	SD 0.6 x 3.5 mm or PZ0	
	Guide bush	0.5 - 0.55	SD 0.6 x 3.5 mm or PZ0	
	Coding pins	0.5 - 0.55	SD 0.6 x 3.5 mm or PZ0	
	M 4	Contact screws		
		HSB	1.2 - 1.5	SD 0.6 x 3.5 or 0.8 x 4 mm or PZ1
PE connection via male contact				
S 4		0.5 - 0.8	SD 0.6 x 3.5 mm	
ConCept modular frame, metal		1.2 - 1.5	SD 0.6 x 3.5 mm	
PE terminal				
HA		1.2 - 1.5	SD 0.6 x 3.5 or 0.8 x 4 mm or PH1	
HE		1.2 - 1.5	SD 0.6 x 3.5 or 0.8 x 4 mm or PH1	
HEE		1.2 - 1.5	SD 0.6 x 3.5 or 0.8 x 4 mm or PH1	
HVE		1.2 - 1.5	SD 0.6 x 3.5 or 0.8 x 4 mm or PH1	
HD		1.2 - 1.5	SD 0.6 x 3.5 or 0.8 x 4 mm or PZ1	
HDD		1.2 - 1.5	SD 0.6 x 3.5 or 0.8 x 4 mm or PZ1	
S 6/6 (for signal contacts)		1.2 - 1.5	0.8 x 4 mm or PZ1	
ConCept modular frame, plastic		1.2 - 1.5	0.8 x 4 mm or PZ1	
M 5		PE terminal		
	HSB	2 - 2.5	SD 1 x 5.5 mm or PZ2	
	S 4/0 (Screw connection)	2 - 2.5	SD 1.2 x 6.5 mm or PH2	
	S 4/0 (Axial screw connection)	2 - 2.5	SD 0.8 x 4 mm or PZ 2	
	S 4/2	2 - 2.5	SD 1.2 x 6.5 mm or PH2	
	S 4/8	2 - 2.5	SD 1.2 x 6.5 mm or PH2	
	S 6/12	2 - 2.5	SD 0.8 x 4 mm or PZ 2	
	S 6/36	2 - 2.5	SD 1.2 x 6.5 mm or PH2	
	S 8/24	2 - 2.5	SD 1.2 x 6.5 mm or PH2	
	S 12/2	2 - 2.5	SD 1.2 x 6.5 mm or PH2	
	M 6	Power contacts		
S 4/0 (Screw connection)		1.2 (1.5 mm ²) / 2 (2.5 mm ²) / 3 (4-16 mm ²)	SD 0.8 x 4 mm	
S 4/2		1.2 (1.5 mm ²) / 2 (2.5 mm ²) / 3 (4-16 mm ²)	SD 0.8 x 4 mm	
S 4/8		1.2 (1.5 mm ²) / 2 (2.5 mm ²) / 3 (4-16 mm ²)	SD 0.8 x 4 mm	
M 7 x 0.75	Power contacts			
	S 4	1.1 - 1.7	SW 2	
	S 6/6 (+ PE)	6 - 8	SW 4	
M 8 x 0.75	Power contacts			
	S 6/12	1.1 - 1.7	SW 2	
	S 8/0 (+ PE)	6 (10-16 mm ²) - 7 (25 mm ²)	SW 4	
M10 x 1	Power contacts			
	S 4/0 (Axial connection)	2 - 3	SW 3	

Increasing the tightening torque does not improve the contact resistance. The stated torque settings offer optimal mechanical, thermal and electrical conditions. Exceeding the recommended values may even damage the conductor and terminal.