

## Crimp contact - RC-5SS2000 - 1603530

Please be informed that the data shown in this PDF Document is generated from our Online Catalog. Please find the complete data in the user's documentation. Our General Terms of Use for Downloads are valid (<http://phoenixcontact.com/download>)



Crimp contact, turned, contact diameter: 2 mm, crimp range: 0.5 mm<sup>2</sup> ... 0.75 mm<sup>2</sup>

The figure may differ depending on the connection area

### Your advantages

- Crimping connection: vibration- and temperature-resistant assembly
- High tensile strength of the connection
- Low contact resistance
- Easy production monitoring



### Key Commercial Data

Packing unit	50 pc
Minimum order quantity	50 pc
GTIN	
GTIN	4046356278003
Weight per Piece (excluding packing)	0.480 g
Custom tariff number	85389099
Country of origin	Germany
Note	Made to Order (non-returnable)

### Technical data

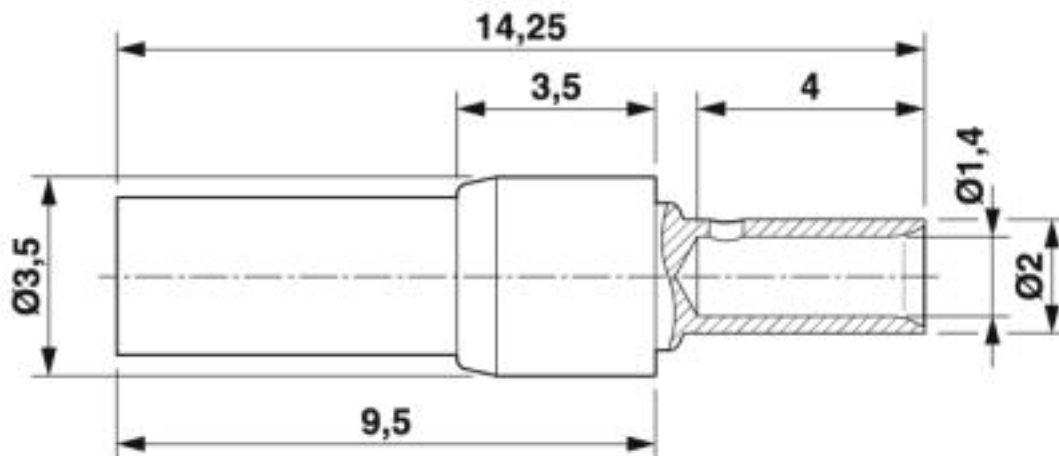
#### Environmental Product Compliance

REACH SVHC	Lead 7439-92-1
China RoHS	Environmentally Friendly Use Period = 50 years
	For details about hazardous substances go to tab "Downloads", Category "Manufacturer's declaration"

### Drawings

# Crimp contact - RC-5SS2000 - 1603530

Dimensional drawing



## Classifications

### eCl@ss

eCl@ss 10.0.1	27440204
eCl@ss 4.0	27260700
eCl@ss 4.1	27260700
eCl@ss 5.0	27260700
eCl@ss 5.1	27261200
eCl@ss 6.0	27261200
eCl@ss 7.0	27440204
eCl@ss 8.0	27440204
eCl@ss 9.0	27440204

### ETIM

ETIM 3.0	EC001121
ETIM 4.0	EC001121
ETIM 5.0	EC000796
ETIM 6.0	EC000796
ETIM 7.0	EC000796

### UNSPSC

UNSPSC 6.01	43172015
UNSPSC 7.0901	43201404
UNSPSC 11	43172015
UNSPSC 12.01	43201404
UNSPSC 13.2	39121522
UNSPSC 18.0	39121522
UNSPSC 19.0	39121522
UNSPSC 20.0	39121522

# Crimp contact - RC-5SS2000 - 1603530

## Classifications

### UNSPSC

UNSPSC 21.0	39121522
-------------	----------

## Approvals

### Approvals

---

### Approvals

EAC

---

### Ex Approvals

---

## Approval details

EAC		B.01742
-----	--	---------

## Accessories

### Accessories

#### Crimping tool

Crimping pliers - RC-Z2504 - 1613822



Crimping pliers for turned RC crimp contacts, diameter 1 mm / diameter 1.5 mm / diameter 2 mm for a litz wire cross section of 0.14 mm<sup>2</sup> ... 2.5 mm<sup>2</sup>

## Mounting material

Contact insertion and removal tool - RC-Z2490 - 1611803



Positioning and unlocking tool for RC crimp contacts (D-SUB) for pin/socket, diameter: 2 mm

## Crimp contact - RC-5SS2000 - 1603530

### Accessories

Crimping pliers with digital display - RC-Z2514 - 1614590



Crimping pliers for turned RC crimp contacts  $\varnothing$  1 mm /  $\varnothing$  1.5 mm /  $\varnothing$  2 mm, litz wire cross section of 0.08 mm<sup>2</sup> ... 2.5 mm<sup>2</sup>

---

Phoenix Contact 2020 © - all rights reserved  
<http://www.phoenixcontact.com>