

16

1610 07

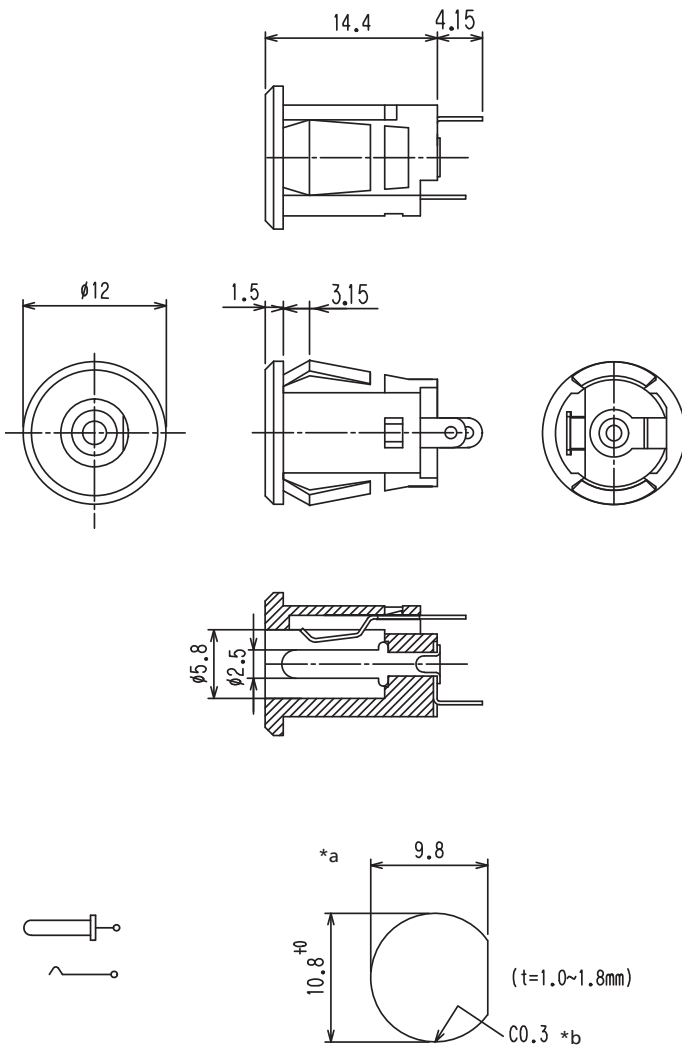
Power supply connectors



Power supply chassis socket, straight version, with solder eyes, for snap-in front side mounting

16

1610 07



*a port in mounting plate
*b for metal plate

Environmental conditions

Temperature range -25 °C/+85 °C

Materials

Insulating body PBT, V-0 according to UL94
Contact spring CuZn, tin-plated
Contact pin CuZn/CuSn, tin-plated

Mechanical data

Diameter opening 5.8 mm
Diameter center pin 2.5 mm
Mating cycles 5000
Insertion force 3–30 N¹
Withdrawal force 3–30 N¹

¹ measured with a gauge plug

Electrical data (at T_{amb} 20 °C)

Contact resistance ≤ 30 mΩ
Rated current 2 A
Rated voltage 30 V
Rated impulse voltage 500 V/60 s
Insulation resistance ≥ 100 MΩ

Associated products

Counterparts
 ↗ 1633 04 ↗ 1634 02 ↗ NES/J 25
 ↗ NES/J 250 ↗ XNES/J 250

16

1610 07

Designation	Pole Number	PU (Pieces)	MDQ (Pieces)
1610 07	2	500	1000

Packaging:

in bulk, in a cardboard box or a plastic bag