

16

1613 32

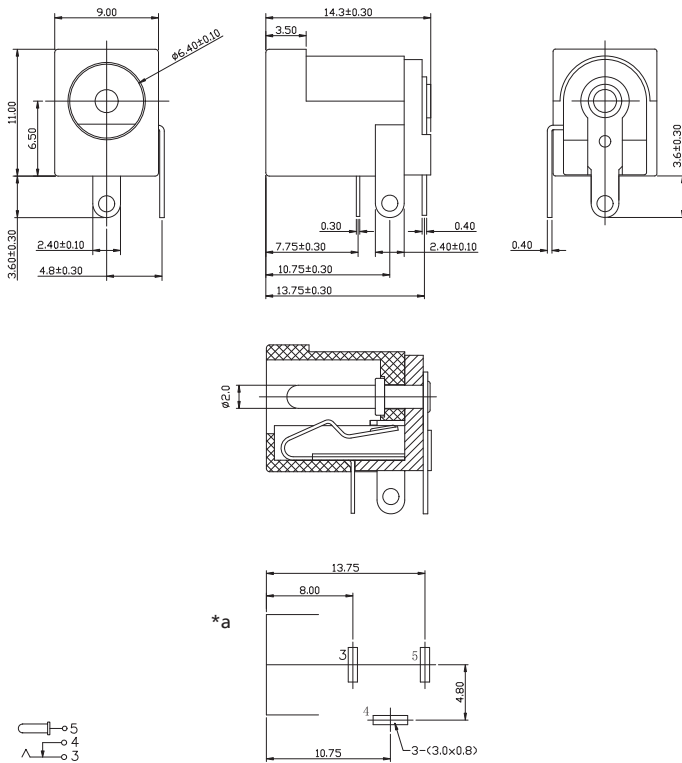
Power supply connectors



Power supply chassis socket, angular version, with break contact, for printed circuit boards

16

1613 32



*a printed circuit board layout, components side view

Environmental conditions

Temperature range -20 °C/+70 °C

Materials

Insulating body PA, V-0 according to UL94
Contact CuZn/steel, silver-plated/nickel-plated

Mechanical data

Diameter opening 6.4 mm
Diameter center pin 2 mm
Mating cycles 5000¹
Insertion force 3–30 N
Withdrawal force 2.94–19.6 N (initial value)

¹ measured with a gauge plug

Electrical data (at T_{amb} 20 °C)

Contact resistance ≤ 30 mΩ
Rated current 2 A
Rated voltage 24 V
Rated impulse voltage 500 V/60 s
Insulation resistance ≥ 100 MΩ

Associated products

Counterparts
 ☞ 1633 02 ☞ 1633 03 ☞ NES/J 21
 ☞ NES/J 21 W ☞ NES/J 210 ☞ XNES/J 210

16

1613 32

Designation	Pole Number	PU (Pieces)	MDQ (Pieces)
1613 32	2	500	500

Packaging:

in bulk, in a cardboard box or a plastic bag