



Neohm | Neohm CRG

TE Internal #: 1622829-1

10K  $\Omega$ , Thick Film, General Purpose Resistor, 1 %, 2 Termination, 0603, Taped & Reeled, .1 W,  $\pm 100$  ppm/ $^{\circ}\text{C}$ , Solder, 1.6 x .8 x .45 mm, Neohm CRG

[View on TE.com >](#)

Passive Components > Resistors > Surface Mount Resistors



Resistor Type: **General Purpose Resistor**

Number of Terminations: **2**

Package Size Code: **0603**

Packaging Method: **Taped & Reeled**

Passive Component Tolerance: **1 %**

## Features

### Product Type Features

Product Type	Fixed Resistor
Resistor Type	General Purpose Resistor
Package Size Code	0603
Element Type	Thick Film

### Configuration Features

Number of Resistors	1
---------------------	---

### Electrical Characteristics

Voltage Rating	50 V
Passive Component Tolerance	1 %
Resistance Class	1k $\Omega$ – 1M $\Omega$
Resistance Value	10K $\Omega$
Power Rating	.1 W

### Termination Features

Number of Terminations	2
Surface Mount Resistor Termination Type	Solder

### Dimensions

Passive Component Dimensions	1.6 x .8 x .45 mm
------------------------------	-------------------

### Usage Conditions



Temperature Coefficient	±100 ppm/°C
-------------------------	-------------

**Packaging Features**

Packaging Method	Taped & Reeled
------------------	----------------

**Product Compliance**

[For compliance documentation, visit the product page on TE.com>](#)

EU RoHS Directive 2011/65/EU	Compliant with Exemptions
EU ELV Directive 2000/53/EC	Not Compliant
China RoHS 2 Directive MIIT Order No 32, 2016	Restricted Materials Above Threshold
EU REACH Regulation (EC) No. 1907/2006	Current ECHA Candidate List: JAN 2023 (233) Candidate List Declared Against: JAN 2023 (233) Does not contain REACH SVHC
Halogen Content	Low Halogen - Br, Cl, F, I < 900 ppm per homogenous material. Also BFR/CFR/PVC Free
Solder Process Capability	Reflow solder capable to 260°C

Product Compliance Disclaimer

This information is provided based on reasonable inquiry of our suppliers and represents our current actual knowledge based on the information they provided. This information is subject to change. The part numbers that TE has identified as EU RoHS compliant have a maximum concentration of 0.1% by weight in homogenous materials for lead, hexavalent chromium, mercury, PBB, PBDE, DBP, BBP, DEHP, DIBP, and 0.01% for cadmium, or qualify for an exemption to these limits as defined in the Annexes of Directive 2011/65/EU (RoHS2). Finished electrical and electronic equipment products will be CE marked as required by Directive 2011/65/EU. Components may not be CE marked. Additionally, the part numbers that TE has identified as EU ELV compliant have a maximum concentration of 0.1% by weight in homogenous materials for lead, hexavalent chromium, and mercury, and 0.01% for cadmium, or qualify for an exemption to these limits as defined in the Annexes of Directive 2000/53/EC (ELV). Regarding the REACH Regulation, the information TE provides on SVHC in articles for this part number is based on the latest European Chemicals Agency (ECHA) 'Guidance on requirements for substances in articles' posted at this URL: <https://echa.europa.eu/guidance-documents/guidance-on-reach>

**Compatible Parts**



TE Part # 1623116-1  
CRG0805 1% 150K



TE Part # 1623131-1  
CRG0805 1% 1K0



TE Part # 1623095-1  
CRG0805 1% 100K



TE Part # 1623137-1  
CRG0805 1% 1K5



TE Part # 1623440-1  
CRG1206 1% 1K0

TE Part # 1623141-1  
CRG0805 1% 1M0

TE Part # 1623097-1  
CRG0805 1% 10K

TE Part # 1623292-1  
CRG0805 1% 8K2

TE Part # 1623460-1  
CRG1206 1% 220R

TE Part # 1623401-1  
CRG0805 ZEROHM

TE Part # 1623239-1  
CRG0805 1% 4K7

TE Part # 1623174-1  
CRG0805 1% 2K2

TE Part # 1623127-1  
CRG0805 1% 180R

TE Part # 1622866-1  
CRG0603 1% 1K0

TE Part # 1623096-1  
CRG0805 1% 100R

TE Part # 1623404-1  
CRG1206 1% 10K

TE Part # 1622828-1  
CRG0603 1% 100R

TE Part # 1623693-1  
CRG1206 ZEROHM

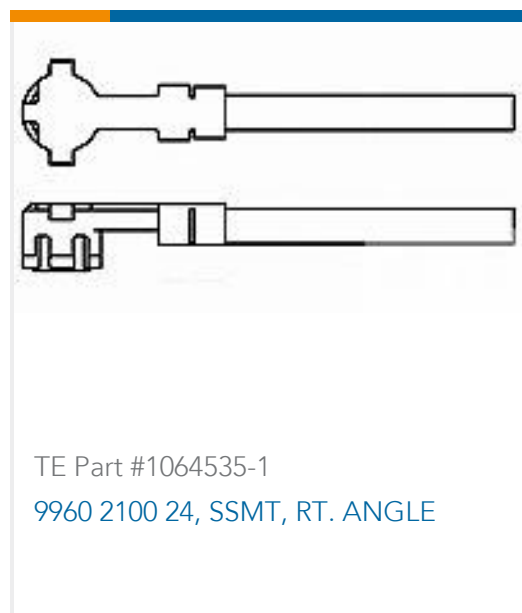
TE Part # 1622960-1  
CRG0603 1% 4K7

TE Part # 1622827-1  
CRG0603 1% 100K

### Also in the Series | Neohm CRG

Surface Mount Resistors(653)

### Customers Also Bought



## Documents

### Product Drawings

[CRG0603 1% 10K](#)

English

### CAD Files

[3D PDF](#)

3D

Customer View Model

[ENG\\_CVM\\_CVM\\_1622829-1\\_BA.2d\\_dxf.zip](#)

English

Customer View Model

[ENG\\_CVM\\_CVM\\_1622829-1\\_BA.3d\\_igs.zip](#)

English

Customer View Model

[ENG\\_CVM\\_CVM\\_1622829-1\\_BA.3d\\_stp.zip](#)

English

By downloading the CAD file I accept and agree to the [Terms and Conditions](#) of use.

### Datasheets & Catalog Pages

[1309350\\_PASSIVE\\_COMPONENT](#)

English

[Thick Film Chip Resistors - Type CRG series](#)

English

### Product Environmental Compliance

[MD\\_1622829-1\\_112120162348\\_dmtec](#)

English

CRG0603F10K

10K  $\Omega$ , Thick Film, General Purpose Resistor, 1 %, 2 Termination, 0603, Taped & Reeled, .1 W,  $\pm 100$  ppm/ $^{\circ}\text{C}$ , Solder, 1.6 x .8 x .45 mm, Neohm CRG



[MD\\_1622829-1\\_112120162348\\_dmtec](#)

English