

Holder - EV-T2CCS-PARK - 1624153

Please be informed that the data shown in this PDF Document is generated from our Online Catalog. Please find the complete data in the user's documentation. Our General Terms of Use for Downloads are valid (<http://phoenixcontact.com/download>)




Retainer for Vehicle Connector as parking position at charging stations (EVSE), CCS type 2, IEC 62196-3

Product Description

Retainer for Vehicle Connector as parking position at charging stations for E-Mobility (EVSE)

Key Commercial Data

| | |
|--------------------------------------|---|
| Packing unit | 1 STK |
| GTIN |  4 055626 242873 |
| GTIN | 4055626242873 |
| Weight per Piece (excluding packing) | 160.000 g |
| Custom tariff number | 85389099 |
| Country of origin | Germany |

Technical data

Product definition

| | |
|--------------------------|--|
| Product type | Retainer for Vehicle Connector as parking position at charging stations (EVSE) |
| Standards/regulations | IEC 62196-3 |
| Charging standard | CCS type 2 |
| Charging mode | Mode 4 |
| Type of charging current | DC |

Dimensions

| | |
|--------|--------|
| Height | 118 mm |
| Width | 75 mm |

Holder - EV-T2CCS-PARK - 1624153

Technical data

Dimensions

| | |
|-----------------|----------------|
| Depth | 54 mm |
| Bore dimensions | 60 mm x 103 mm |

Ambient conditions

| | |
|---|------------------|
| Ambient temperature (operation) | -30 °C ... 50 °C |
| Ambient temperature (storage/transport) | -40 °C ... 80 °C |
| Degree of protection | IP54 |

Mechanical properties

| | |
|------------------------------------|--|
| Vehicle Connector fixing | With locking clips for locking contour |
| Removal of the Vehicle Connector | Lifting and removal |
| Detection of the Vehicle Connector | On request |

Mounting

| | |
|-----------------------------------|--|
| Possible mounting positions | Front mounting |
| Restrictions to mounting position | Only 0 to 45 degree frontal inclination possible, see figure |
| Mounting hole diameter | 6.00 mm (\varnothing) |

Design

| | |
|---------------------|------------|
| Housing color | black |
| Customer variations | On request |

Material

| | |
|----------|---------|
| Material | Plastic |
|----------|---------|

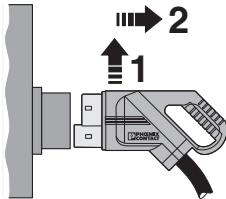
Environmental Product Compliance

| | |
|------------|---|
| China RoHS | Environmentally friendly use period: unlimited = EFUP-e |
| | No hazardous substances above threshold values |

Drawings

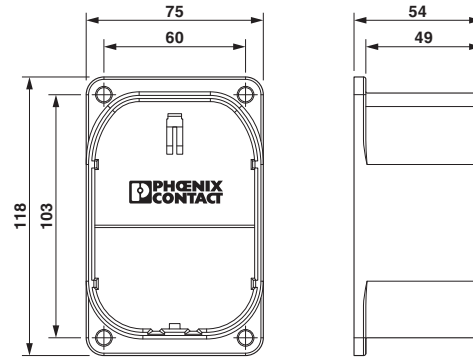
Holder - EV-T2CCS-PARK - 1624153

Schematic diagram



The attached DC Vehicle Connector is raised in the holder, releasing it from the integrated locking clip, and it can then be removed.

Dimensional drawing



Dimensional drawing

Classifications

eCl@ss

| | |
|------------|----------|
| eCl@ss 4.0 | 272607xx |
| eCl@ss 4.1 | 27260701 |
| eCl@ss 5.0 | 27260701 |
| eCl@ss 5.1 | 27059110 |
| eCl@ss 6.0 | 27279220 |
| eCl@ss 7.0 | 27061801 |
| eCl@ss 8.0 | 27440208 |
| eCl@ss 9.0 | 27144792 |

ETIM

| | |
|----------|----------|
| ETIM 2.0 | EC000241 |
| ETIM 3.0 | EC002061 |
| ETIM 4.0 | EC002061 |
| ETIM 5.0 | EC002839 |
| ETIM 6.0 | EC002839 |

UNSPSC

| | |
|---------------|----------|
| UNSPSC 6.01 | 30211923 |
| UNSPSC 7.0901 | 39121522 |
| UNSPSC 11 | 39121522 |
| UNSPSC 12.01 | 39121522 |
| UNSPSC 13.2 | 39121522 |

