

EV-T2G3PC-3AC32A-7,0M6,0ESBK01 - AC charging cable



1628199

<https://www.phoenixcontact.com/pc/products/1628199>

Please be informed that the data shown in this PDF document is generated from our online catalog. Please find the complete data in the user documentation. Our general terms of use for downloads are valid.



CHARX connect comfort, Mobile AC charging cable, with vehicle charging connector and infrastructure charging plug, for charging electric vehicles (EV) with alternating current (AC) via type 2 vehicle charging inlets, with protective cap, Type 2, IEC 62196-2, 32 A / 480 V (AC), housing: black, gray, PHOENIX CONTACT logo, cable: 7 m, black, straight

Product description

Mobile AC charging cable with vehicle charging connector and infrastructure charging plug for charging electric vehicles (EV) with alternating current (AC) via type 2 vehicle charging inlets, compatible with type 2 infrastructure charging sockets at charging stations for e-mobility (EVSE)

Your advantages

- Complete product range
- Convenient handling due to the ergonomic, triple award-winning design
- Available with your logo on request – for consistent branding of your charging station
- Longitudinal water tightness reliably prevents water ingress
- Developed and produced in accordance with the IATF 16949 automotive standard and ISO 9001
- Tested in accordance with automotive standards LV124, LV214, and LV215-2
- Tested in accordance with EV Ready 37 requirements
- Laser-marked mating face in accordance with DIN EN 17186

Commercial data

Item number	1628199
Packing unit	1 pc
Minimum order quantity	1 pc
Product key	XWBAEC
GTIN	4055626395623
Weight per piece (including packing)	3,382 g
Weight per piece (excluding packing)	3,323 g
Customs tariff number	85444290
Country of origin	PL

EV-T2G3PC-3AC32A-7,0M6,0ESBK01 - AC charging cable



1628199

<https://www.phoenixcontact.com/pc/products/1628199>

Technical data

Product properties

Product type	AC charging cable
Product family	CHARX connect comfort
Application	for charging electric vehicles (EV) with alternating current (AC) via type 2 vehicle charging inlets compatible with type 2 infrastructure charging sockets at charging stations for electromobility (EVSE)
Type	Mobile AC charging cable with vehicle charging connector and infrastructure charging plug
Design	with protective cap
Affixed logo	PHOENIX CONTACT logo
Charging mode	Mode 3, Case B
Charging standard	Type 2

Electrical properties

Type of signal transmission	Pulse width modulation
Note on the connection method	Crimp connection, cannot be disconnected
Coding	220 Ω (between PE and PP)
Type of charging current	AC 3-phase
Charging power	26.6 kW
Charging current	32 A

Power contact

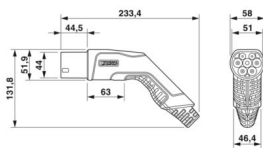
Number	5 (L1, L2, L3, N, PE)
Rated voltage	480 V AC
Rated current	32 A

Signal contact

Number	2 (CP, PP)
Rated voltage	30 V AC
Rated current	2 A

Dimensions

Infrastructure charging plug

Dimensional drawing	 <p>Infrastructure plug</p>
Width	58 mm

EV-T2G3PC-3AC32A-7,0M6,0ESBK01 - AC charging cable

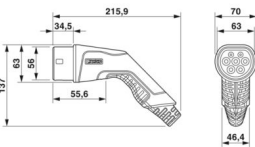


1628199

<https://www.phoenixcontact.com/pc/products/1628199>

Height	131.8 mm
Depth	233.4 mm

Vehicle charging connector

Dimensional drawing	 <p>Vehicle connector</p>
Width	70 mm
Height	137 mm
Depth	215.9 mm

Material specifications

Color (Housing)	black (9005)
Color (Handle area)	gray (7042)
Color (Mating face)	black (9005)
Color (Protective cap)	black (9005)
Color (Cable)	black (9005)
Material (Vehicle charging connector)	Plastic
Material (Cable outer sheath)	TPE-U
Material (Infrastructure charging plug)	Plastic
Material (Contact surface)	Silver

Cable/line

Cable length	7 m
Wiring standards/regulations	prEN 50620/DIN EN 50620
Wiring certifications	VDE
Cable weight	max. 505.00 kg/km
Cable type	Class 5
Cable type	straight
Cable structure	5 x 4.0 mm ² + 1 x 0.5 mm ²
External cable diameter	14.20 mm ±0.3 mm
Outer sheath, material	TPE-U
Cable resistance	≤ 0.0033 Ω/m (based on a power core, at an ambient temperature of 20°C)
Bending radius	min. 127.5 mm (7.5x diameter)

Mechanical properties

Mechanical data

Insertion/withdrawal cycles	> 10000
Insertion force	< 100 N
Withdrawal force	< 100 N

EV-T2G3PC-3AC32A-7,0M6,0ESBK01 - AC charging cable



1628199

<https://www.phoenixcontact.com/pc/products/1628199>

Environmental and real-life conditions

Ambient conditions

Degree of protection (Vehicle charging connector)	IP44 (plugged in; when plugged in and ready to operate, the degree of protection is only ensued if both plug-in components are original products from Phoenix Contact or suitable standard-compliant products)
Degree of protection (Infrastructure charging plug)	IP44 (plugged in; when plugged in and ready to operate, the degree of protection is only ensued if both plug-in components are original products from Phoenix Contact or suitable standard-compliant products)
Degree of protection (Protective cap)	IP54
Ambient temperature (operation)	-40 °C ... 50 °C
Ambient temperature (storage/transport)	-40 °C ... 80 °C
Altitude	5000 m (above sea level)

Standards and regulations

Standards

Standards/regulations	IEC 62196-2
-----------------------	-------------

EV-T2G3PC-3AC32A-7,0M6,0ESBK01 - AC charging cable

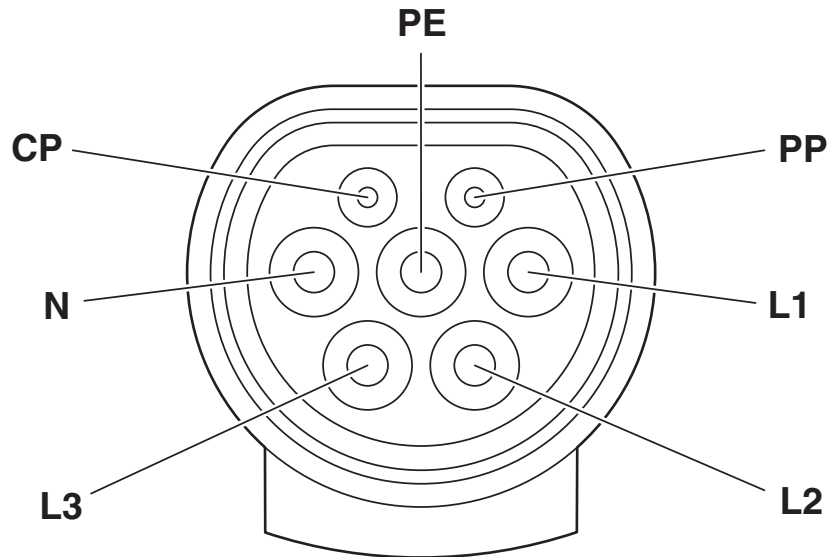


1628199

<https://www.phoenixcontact.com/pc/products/1628199>

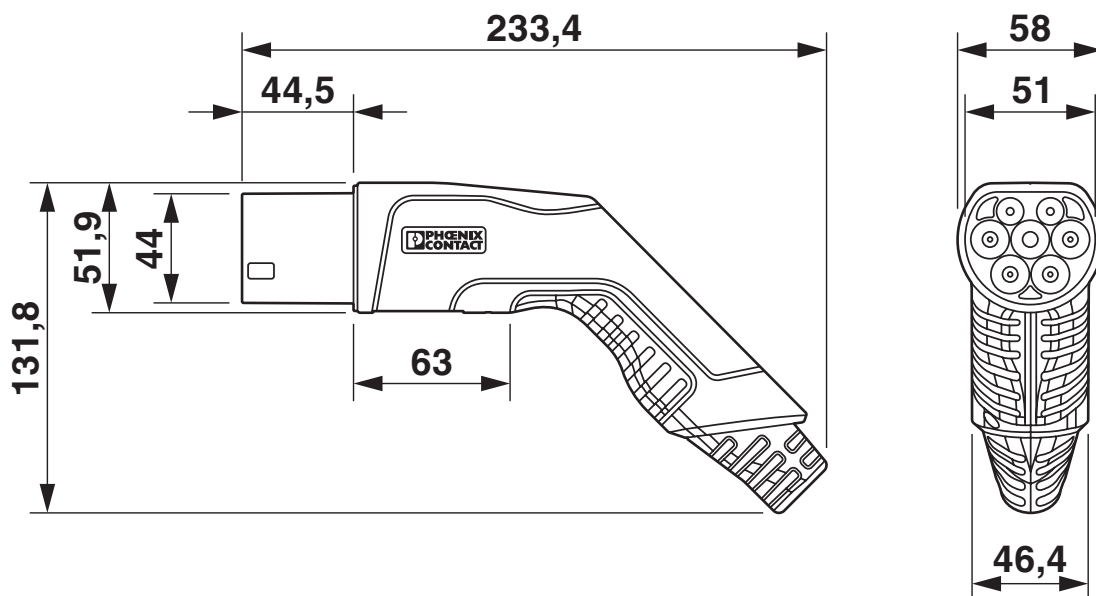
Drawings

Schematic diagram



Pin assignment of the Vehicle Connector

Dimensional drawing



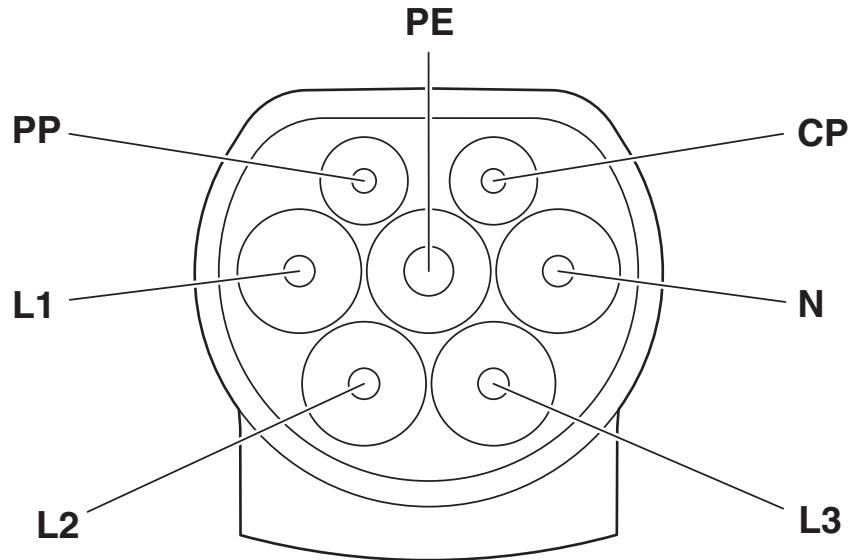
Infrastructure plug

EV-T2G3PC-3AC32A-7,0M6,0ESBK01 - AC charging cable

1628199

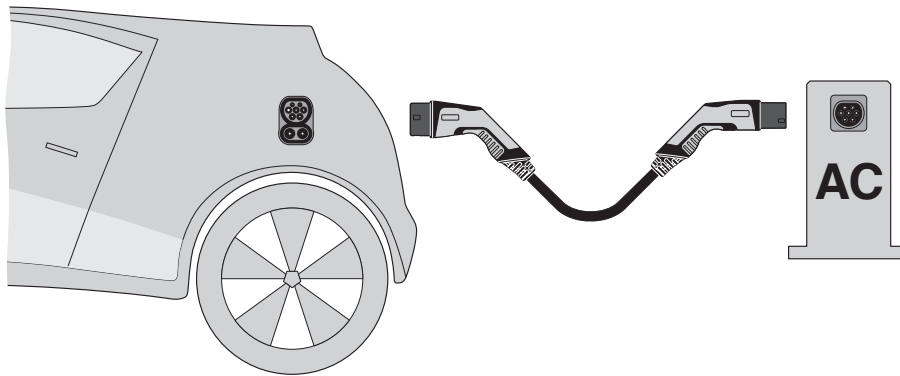
<https://www.phoenixcontact.com/pc/products/1628199>

Connection diagram



Pin assignment of Infrastructure Plug

Schematic diagram



Terminology definition

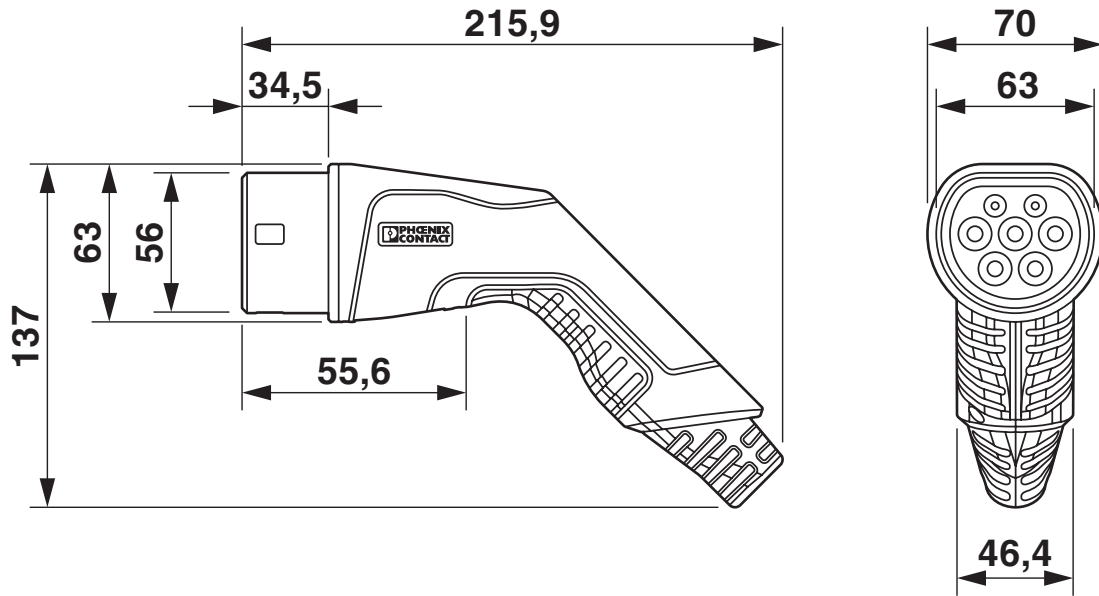
EV-T2G3PC-3AC32A-7,0M6,0ESBK01 - AC charging cable



1628199

<https://www.phoenixcontact.com/pc/products/1628199>

Dimensional drawing



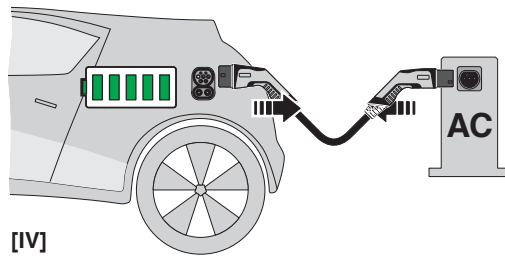
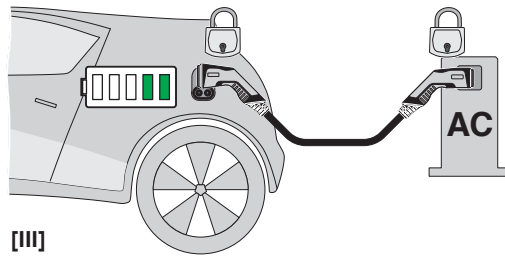
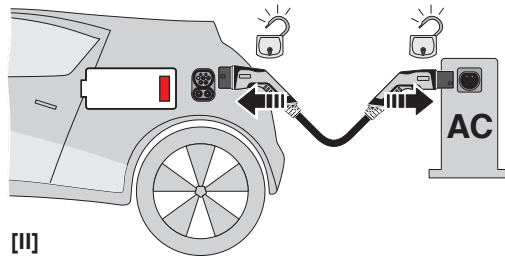
Vehicle connector

EV-T2G3PC-3AC32A-7,0M6,0ESBK01 - AC charging cable

1628199

<https://www.phoenixcontact.com/pc/products/1628199>

Schematic diagram



Operating instructions

EV-T2G3PC-3AC32A-7,0M6,0ESBK01 - AC charging cable





1628199

<https://www.phoenixcontact.com/pc/products/1628199>

Approvals

To download certificates, visit the product detail page: <https://www.phoenixcontact.com/pc/products/1628199>

 IECEE CB Scheme Approval ID: DE1-65890				
	Nominal voltage U_N	Nominal current I_N	Cross section AWG	Cross section mm^2
	480 V	32 A	-	-

 VDE Zeichengenehmigung Approval ID: 40045394				
	Nominal voltage U_N	Nominal current I_N	Cross section AWG	Cross section mm^2
	480 V	32 A	-	-

EV-T2G3PC-3AC32A-7,0M6,0ESBK01 - AC charging cable



1628199

<https://www.phoenixcontact.com/pc/products/1628199>

Classifications

ECLASS

ECLASS-11.0	27144705
ECLASS-12.0	27144705
ECLASS-13.0	27144705

ETIM

ETIM 9.0	EC002897
----------	----------

UNSPSC

UNSPSC 21.0	39121500
-------------	----------

EV-T2G3PC-3AC32A-7,0M6,0ESBK01 - AC charging cable



1628199

<https://www.phoenixcontact.com/pc/products/1628199>

Environmental product compliance

REACH SVHC	Lead 7439-92-1
China RoHS	Environmentally Friendly Use Period = 10;
	For information on hazardous substances, refer to the manufacturer's declaration available under "Downloads"

EV-T2G3PC-3AC32A-7,0M6,0ESBK01 - AC charging cable



1628199

<https://www.phoenixcontact.com/pc/products/1628199>

Accessories

EV-T2AC-PARK - Charging connector holder

1624148

<https://www.phoenixcontact.com/pc/products/1624148>



CHARX connect, Charging connector holder, Accessories, for vehicle charging connectors on charging stations (EVSE), Type 2, IEC 62196-2, Front mounting, housing: black, PHOENIX CONTACT logo

EV-T2M3SO12-3P-P-SET - Infrastructure charging socket

1164422

<https://www.phoenixcontact.com/pc/products/1164422>



CHARX connect modular, Infrastructure charging socket, square, Premium, Set, with square protective cover, with temperature sensors, with LED (common cathode connection), for charging electric vehicles (EV) with alternating current (AC), Type 2, IEC 62196-2, 32 A / 480 V (AC), without single-core wires, locking actuator: 12 V, 3-pos., Rear panel mounting, M5 thread, housing: black, PHOENIX CONTACT logo

EV-T2G3PC-3AC32A-7,0M6,0ESBK01 - AC charging cable



1628199

<https://www.phoenixcontact.com/pc/products/1628199>

EV-T2M3SO12-4P-P-SET - Infrastructure charging socket

1164423

<https://www.phoenixcontact.com/pc/products/1164423>



CHARX connect modular, Infrastructure charging socket, square, Premium, Set, with square protective cover, with temperature sensors, with LED (common cathode connection), for charging electric vehicles (EV) with alternating current (AC), Type 2, IEC 62196-2, 32 A / 480 V (AC), without single-core wires, locking actuator: 12 V, 4-pos., Rear panel mounting, M5 thread, housing: black, PHOENIX CONTACT logo

EV-T2M3SO12-3P-BL-SET - Infrastructure charging socket

1268358

<https://www.phoenixcontact.com/pc/products/1268358>



CHARX connect modular, Infrastructure charging socket, square, Basic, Set, with square protective cover, with LED (common cathode connection), for charging electric vehicles (EV) with alternating current (AC), Type 2, IEC 62196-2, 32 A / 480 V (AC), without single-core wires, locking actuator: 12 V, 3-pos., Rear panel mounting, M5 thread, housing: black, PHOENIX CONTACT logo

EV-T2G3PC-3AC32A-7,0M6,0ESBK01 - AC charging cable



1628199

<https://www.phoenixcontact.com/pc/products/1628199>

EV-T2M3SO12-4P-BL-SET - Infrastructure charging socket

1268355

<https://www.phoenixcontact.com/pc/products/1268355>



CHARX connect modular, Infrastructure charging socket, square, Basic, Set, with square protective cover, with LED (common cathode connection), for charging electric vehicles (EV) with alternating current (AC), Type 2, IEC 62196-2, 32 A / 480 V (AC), without single-core wires, locking actuator: 12 V, 4-pos., Rear panel mounting, M5 thread, housing: black, PHOENIX CONTACT logo

EV-T2M3SO12-3P-B-SET - Infrastructure charging socket

1164420

<https://www.phoenixcontact.com/pc/products/1164420>



CHARX connect modular, Infrastructure charging socket, square, Basic, Set, with square protective cover, for charging electric vehicles (EV) with alternating current (AC), Type 2, IEC 62196-2, 32 A / 480 V (AC), without single-core wires, locking actuator: 12 V, 3-pos., Rear panel mounting, M5 thread, housing: black, PHOENIX CONTACT logo

EV-T2G3PC-3AC32A-7,0M6,0ESBK01 - AC charging cable



1628199

<https://www.phoenixcontact.com/pc/products/1628199>

EV-T2M3SO12-4P-B-SET - Infrastructure charging socket

1164417

<https://www.phoenixcontact.com/pc/products/1164417>



CHARX connect modular, Infrastructure charging socket, square, Basic, Set, with square protective cover, for charging electric vehicles (EV) with alternating current (AC), Type 2, IEC 62196-2, 32 A / 480 V (AC), without single-core wires, locking actuator: 12 V, 4-pos., Rear panel mounting, M5 thread, housing: black, PHOENIX CONTACT logo

EV-LABEL-C - Label

1309766

<https://www.phoenixcontact.com/pc/products/1309766>



CHARX connect, Label, Accessories, for AC type 2 vehicle charging connector and for AC type 2 vehicle charging inlet, DIN EN 17186

EV-T2G3PC-3AC32A-7,0M6,0ESBK01 - AC charging cable



1628199

<https://www.phoenixcontact.com/pc/products/1628199>

EV-LABEL-C-SO - Label

1315521

<https://www.phoenixcontact.com/pc/products/1315521>

CHARX connect, Label, Accessories, for AC type 2 infrastructure charging socket and for AC type 2 infrastructure charging plug, DIN EN 17186



Phoenix Contact 2024 © - all rights reserved

<https://www.phoenixcontact.com>

PHOENIX CONTACT GmbH & Co. KG

Flachsmarktstraße 8

D-32825 Blomberg

+49 (0) 5235-3 00

info@phoenixcontact.com