

16

1636 08

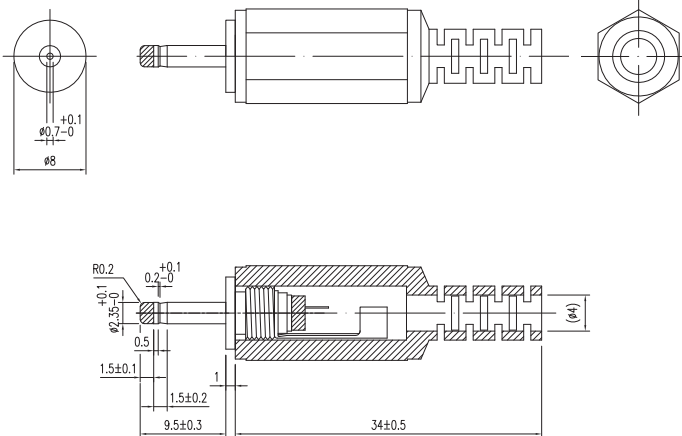
## Power supply connectors



Power supply plug acc. to JEITA RC-5320A JSAP1, straight version, with solder eyes and bend protection

16

1636 08



#### Environmental conditions

Temperature range -20 °C/+70 °C

#### Materials

Insulating body POM, HB according to UL94  
 Contact CuZn/CuSn, nickel-plated  
 Housing TPR

#### Mechanical data

Outer diameter 2.35 mm  
 Inner diameter 0.7 mm  
 Mating cycles 5000  
 Insertion force 4.9–24.5 N  
 Withdrawal force 2.9–19.6 N

#### Connectable conductors for solder area

Cable diameter 4 mm

#### Electrical data (at T<sub>amb</sub> 20 °C)

Contact resistance 30 mΩ  
 Rated current 2 A  
 Rated voltage 24 V  
 Rated impulse voltage 500 V/60 s  
 Insulation resistance 100 MΩ

#### Associated products

Counterparts  
 ↗ 1613 03 ↗ 1613 25

16

1636 08

Designation	Pole Number	PU (Pieces)	MDQ (Pieces)
1636 08	2	1000	1000

**Packaging:**

in bulk, in a cardboard box or a plastic bag