



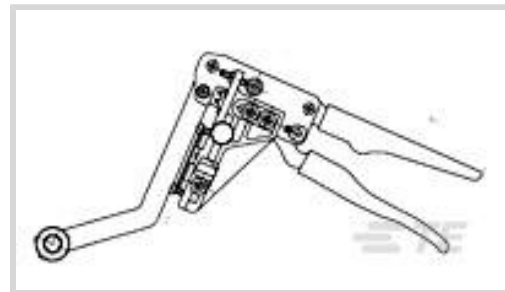
AMP

TE Internal #: 169424-1

Hand Crimping Tools, Commercial Crimp Tooling, Operator Releasable & Adjustable, Fixed In Tool, TE Product Specification (114-), Manual

[View on TE.com >](#)

Application Tooling > Hand Crimping Tools



Tool Grade: **Commercial Crimp Tooling**

Ratchet Configuration: **Operator Releasable & Adjustable**

Die Sets Type: **Fixed In Tool**

Specification Type: **TE Product Specification (114-)**

TE Certification: **Upon Request for Fee**

**Features**

**Other**

Crimp Form-Wire Barrel Type	Open Barrel - F Crimp
Tool Grade	Commercial Crimp Tooling
Ratchet Configuration	Operator Releasable & Adjustable
Die Sets Type	Fixed In Tool
Specification Type	TE Product Specification (114-)
TE Certification	Upon Request for Fee
Power Technology Type	Manual
Tooling Type	Straight Action Hand Tool

**Product Compliance**

[For compliance documentation, visit the product page on TE.com>](#)

EU RoHS Directive 2011/65/EU	Compliant
EU ELV Directive 2000/53/EC	Out of Scope
China RoHS 2 Directive MIIT Order No 32, 2016	No Restricted Materials Above Threshold
EU REACH Regulation (EC) No. 1907/2006	Current ECHA Candidate List: JAN 2023 (233) Candidate List Declared Against: JAN 2023 (233) Does not contain REACH SVHC
Halogen Content	Low Halogen - Br, Cl, F, I < 900 ppm per

homogenous material. Also BFR/CFR/PVC Free

Solder Process Capability

Not applicable for solder process capability


Product Compliance Disclaimer

This information is provided based on reasonable inquiry of our suppliers and represents our current actual knowledge based on the information they provided. This information is subject to change. The part numbers that TE has identified as EU RoHS compliant have a maximum concentration of 0.1% by weight in homogenous materials for lead, hexavalent chromium, mercury, PBB, PBDE, DBP, BBP, DEHP, DIBP, and 0.01% for cadmium, or qualify for an exemption to these limits as defined in the Annexes of Directive 2011/65/EU (RoHS2). Finished electrical and electronic equipment products will be CE marked as required by Directive 2011/65/EU. Components may not be CE marked. Additionally, the part numbers that TE has identified as EU ELV compliant have a maximum concentration of 0.1% by weight in homogenous materials for lead, hexavalent chromium, and mercury, and 0.01% for cadmium, or qualify for an exemption to these limits as defined in the Annexes of Directive 2000/53/EC (ELV). Regarding the REACH Regulation, the information TE provides on SVHC in articles for this part number is based on the latest European Chemicals Agency (ECHA) 'Guidance on requirements for substances in articles' posted at this URL: <https://echa.europa.eu/guidance-documents/guidance-on-reach>

### Compatible Parts



TE Part # CAT-035-DCCSC20  
D-Sub Conn Contacts: Socket, Phosphor Bronze, Signal, Size 20



TE Part # CAT-035-DCCPB20  
D-Sub Connector Contacts: Pin, Brass, Signal, Size 20

### Customers Also Bought



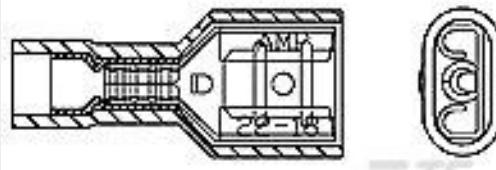
TE Part #130171  
TERMINAL, PIDG, RT, 12-10 AWG, M5



TE Part #5-166053-1  
COSI PIN CONTACT HD20 DF; 24-20 AWG



TE Part #167296-1  
50P.HDP20 PLUG ASSY



TE Part #735278  
EPEZT \* STECKHUELSE ISOLIERT 6,3 X 1,0 \*



TE Part #776262-2  
14POS,PIN DIA 1.3,HDR ASSY, 180DEG,COD 2



TE Part #1977884-1  
SLD CPC PLUG ASSY,13-9,STD SEX, UV RESIS



TE Part #66105-4  
III+ SKT,24-20,30AU/FL,LP



TE Part #2176249-2  
TJT 300W 1R5 5%



## Documents

### Product Drawings

[HD20 R.F.HANDTOOL](#)

English

---

### Datasheets & Catalog Pages

[Bottoming Dies](#)

English

[NECTOR\\_S\\_LINE\\_CONNECTOR\\_BROCHURE](#)

English