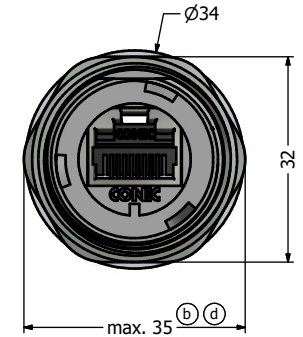
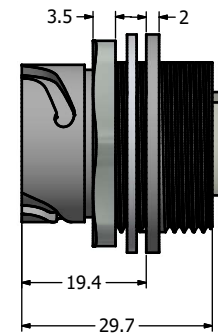
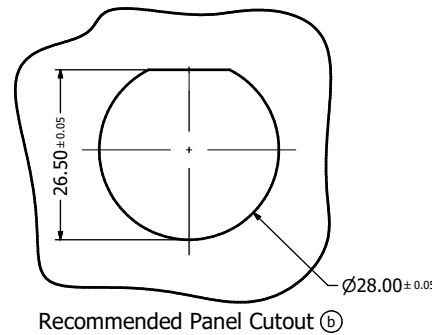
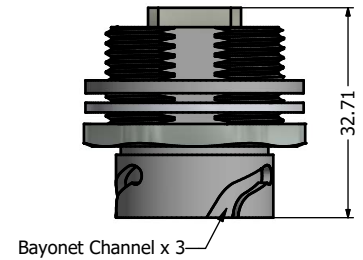
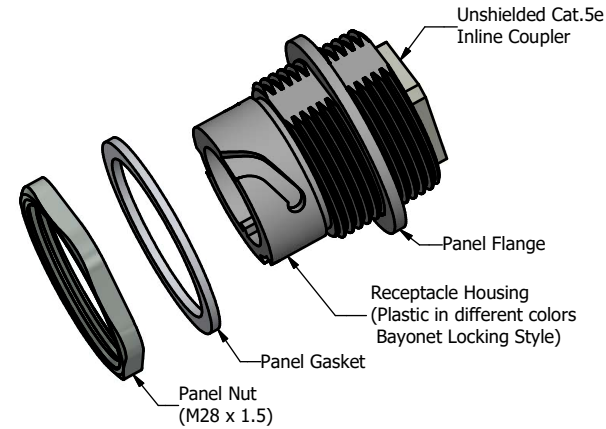


Protective Cover  
(Plastic, Black  
Bayonet Locking Style)



**Notes:**

- Electrical Specifications:
  - Meets EIA/TIA-568-B.2 Cat.5e Specification
  - Contact Resistance: 20mOhm max.
  - Insulation Resistance: 500MOhm min. @ 100 VDC
  - Current Rating: 1.2A max. at 25° C
  - Working Voltage: 100 VDC
  - DWV: 1000 VDC/60s Contact to Contact, 1500 VDC/60s Contact to Metal Shell
  - Operating Temperature: -40° C to +85° C
- Material and Finish:
  - Receptacle Housing: Polyester (Color: see Part Number Table); UL94 V-0
  - Cover Coupling Ring: Polyester (Black); UL94 V-0
- Panel Nut: Brass, Finish: Nickel Plated or 304 Stainless Steel
  - Panel Gasket: Silicon, Color: White
  - Cover Gasket: Silicon, Color: White
  - Tether: Polycarbonate, Color: Black
  - Cat.5e RJ45 Inline Coupler Metal Shell: Copper Alloy, Nickel Plated
  - Cat.5e RJ45 Inline Coupler Plastic Housing: Glass filled PBT UL94 V-0, Color: Black
  - Cat.5e RJ45 Inline Coupler Contacts: Phosphor Bronze, Finish: 50u" Gold min. over Nickel
- Connector can be front or rear mounted to a maximum panel thickness of 3.2mm.
- IP67 rated when covered or fully mated with the appropriate mating connector

RoHS compliant

Description		Colored Plastic Receptacle Housing with Unshielded Cat.5e RJ45 Coupler + Black Cover					
Plastic Receptacle Housing Color		Black	Blue	Green	Yellow	Red	White
Hex Nut Material	Brass, Nickel Plated (Standard)	17-10020	17-102614	17-102624	17-102634	17-102644	17-102654
	304 Stainless Steel (Type 4X +Type 12 rated)	17-1002049	17-1026149	17-1026249	17-1026349	17-1026449	17-1026549

THIS DRAWING MAY NOT BE COPIED OR REPRODUCED IN ANY MANNER ON TO A THIRD PARTY WITHOUT WRITTEN PERMISSION. OWNERSHIP AND COPYRIGHT OF CONEC CORPORATION.	Customer:			Tolerance Unless otherwise specified			Scale: 1.2:1	Dim. in mm	
	Name	Title	Approval Date	0 PLC ±0.50	1 PLC ±0.38		2 PLC ±0.25	Material: See Notes	
				3 PLC ±0.10	ANGLES ±3°	2011	Date	Name	Title:
						Draw.	Jan. 28	Vincent Ke	Receptacle & Cover Assembly Kit
DOT NOT ALTER CAD DRAWING BY HAND				1 x d	A21-04.26	27.10.2021	Bub	Norm	Colored Plastic Housing + Black Cover with Unshielded Cat. 5e RJ45 Inline Coupler
c	2 x c	Mar/14/2018	Vincent Ke	D-old					DIN A3
b	2 x b	Mar/08/2011	Vincent ke						Sheet 1/1
a	original								
Rev.	Changes	Date	Name			Drawing No.: 17K1A184		Part No.: SEE PART NUMBER TABLE	