

PLEASE CHECK WWW.MOLEX.COM FOR LATEST PART INFORMATION

Part Number: [1727040068](#)
Status: **Active**
Overview: [FCT D-Sub Connectors](#)
Description: FCT Standard-Density D-Sub Connector, Female, Straight, IDC Ribbon, 0.20µm Gold Plating, 25 Circuits

Documents:

[Datasheet \(PDF\)](#)

[Brochure \(PDF\)](#)

[RoHS Certificate of Compliance \(PDF\)](#)

General

Product Family	D-Sub Products
Series	172704
IP Rating	IP20
Overview	FCT D-Sub Connectors
Product Category	D-Sub Connector
Product Name	FCT Products
Type	Standard Density
UPC	889056019798

Physical

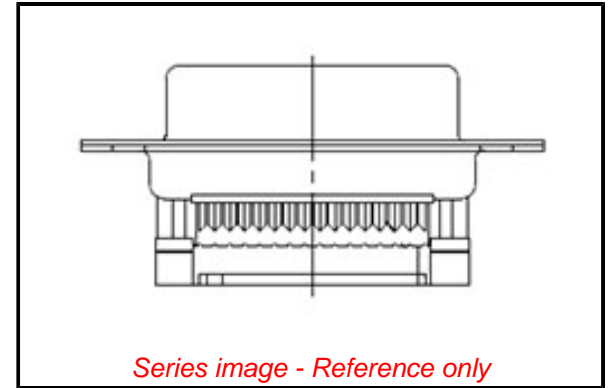
Circuits (Loaded)	25
Circuits (maximum)	25
Color - Resin	Black
Durability (mating cycles max)	50
Gender	Female
Material - Contact	Copper Alloy
Material - Resin	PBT
Material - Shell	Steel
Net Weight	16.000/g
Number of Rows	2
Orientation	Straight
PCB Locator	No
PCB Retention	None
Packaging Type	Tray
Panel Mount	Rear
Panel Mount Method	Flange
Pitch - Mating Interface	2.84mm
Pitch - Termination Interface	2.84mm
Plating - Contact	Gold over Nickel
Plating - Shell	Tin
Plating min - Mating	0.200µm
Plating min - Termination	2.000µm
Polarized to Mating Part	Yes
Ports	1
Shielded	Yes
Temperature Range - Operating	-55° to +130°C
Termination Style	IDC Ribbon
Waterproof / Dustproof	No
Waterproof / Dustproof Type	IP20
Wire Size AWG	28

Electrical

Current - Maximum per Contact	1.5A
-------------------------------	------

Material Info

Engineering Number	F25S15-K49
--------------------	------------



EU ELV

Not Relevant

EU RoHS

Compliant

REACH SVHC

Not Contained Per -
D(2021)10043-DC (17
Jan 2022)

Halogen-Free

Status

Not Reviewed

For more information, please visit [Contact US](#)

China ROHS

ELV

RoHS Phthalates

China RoHS

Green Image

Not Relevant

Not Contained

Search Parts in this Series

[172704 Series](#)

Mates With

FCT Standard-Density D-Sub, Size 3, 25
Position, Plug

This document was generated on 03/22/2022

PLEASE CHECK WWW.MOLEX.COM FOR LATEST PART INFORMATION