



ENGLISH

## M12 Connectivity

8 Port Distribution Box - 8 x M12, 5 pole (2 signals per port) with integral over-moulded home run cable

Stock No's 174-7888, 174-7889



### Primary Features

LED indication for easy diagnostics

IP65, IP67 when leads inserted and tightened

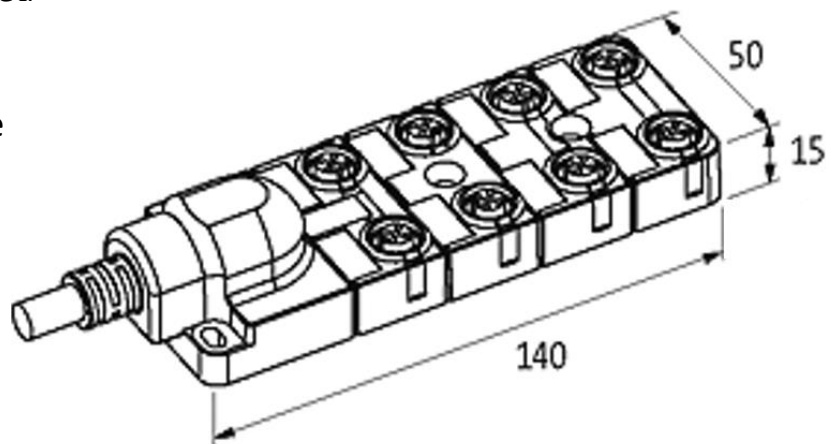
Integral over-moulded home run cable

UL and CSA approved

Available in home run cable lengths:

5 Metres (RS 174-7888)

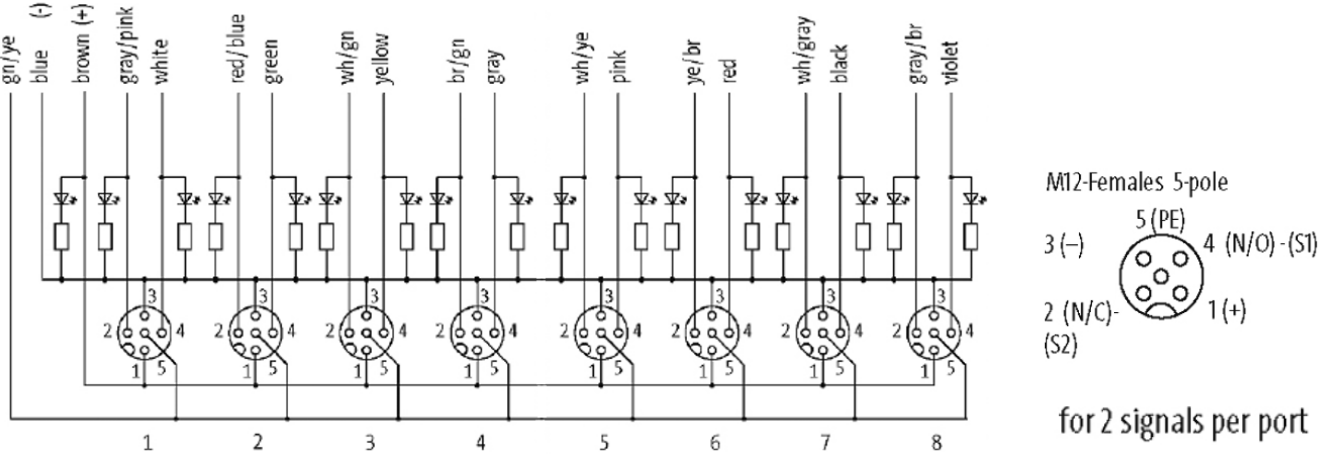
10 Metres (RS 174-7889)





## Wiring Schematic

174-7888, 174-7889



## Contact Layout

|             |  |
|-------------|--|
| PIN 1       | (+)  |
| PIN 2       | (NC)/(S2)  |
| PIN 3       | (-)  |
| PIN 4       | (NO)/(S1)  |
| PIN 5       | (Earth)  |
| LED display | LED (green): Power / LED (yellow): (S1) / LED (white): Signal (S2) |

## Cable

|                           |                                  |
|---------------------------|----------------------------------|
| Cable number              | 398                              |
| No./diameter of wires     | 16×0.34 + 3×0.75 mm <sup>2</sup> |
| Wire isolation            | PVC                              |
| C-track properties        | 2 Mio.                           |
| Jacket Color              | gray                             |
| Material (jacket)         | PUR/PVC (UL/CSA)                 |
| Outer Ø                   | 10.0 mm ±5%                      |
| Bend radius (fixed)       | 10 × outer Ø                     |
| Bend radius (moving)      | 10 × outer Ø                     |
| Temperature range (fixed) | -30...+80 °C                     |



## Cable *continued*

174-7888, 174-7889

|                            |             |
|----------------------------|-------------|
| Temperature range (mobile) | -5...+70 °C |
|----------------------------|-------------|

## Technical Data

|                               |  |
|-------------------------------|--|
| Operating voltage             | 24 V DC                                  |
| Operating current per contact | max. 4 A                                 |
| Total current                 | max. 8 A                                 |
| Locking of ports              | Screw thread M12 × 1 mm                  |
| Protection                    | IP65/IP67                                |
| Housing                       | Plastic, flame retardant                 |
| Temperature range             | -20...+70 °C, depending on cable quality |